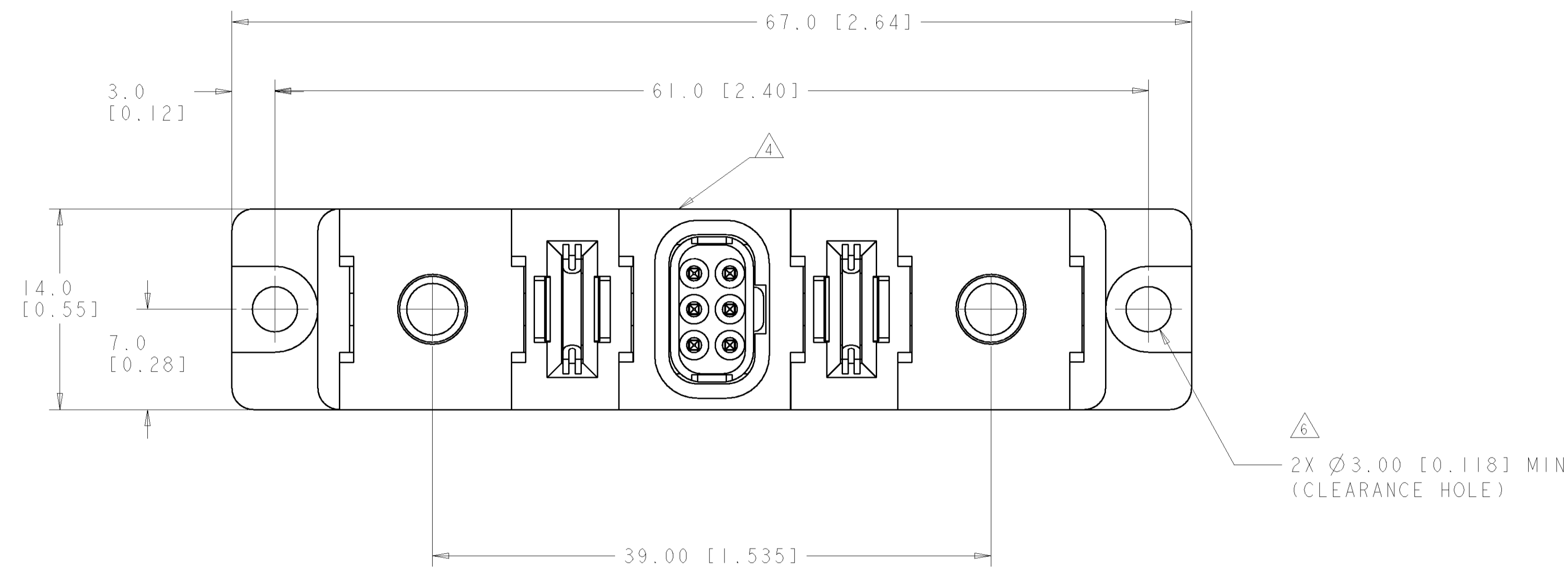


LOC		DIST		REVISONS			
GP	00	P	LTR	DESCRIPTION	DATE	DWN	APVD
		A		RELEASED	24JAN2006	RG	PD

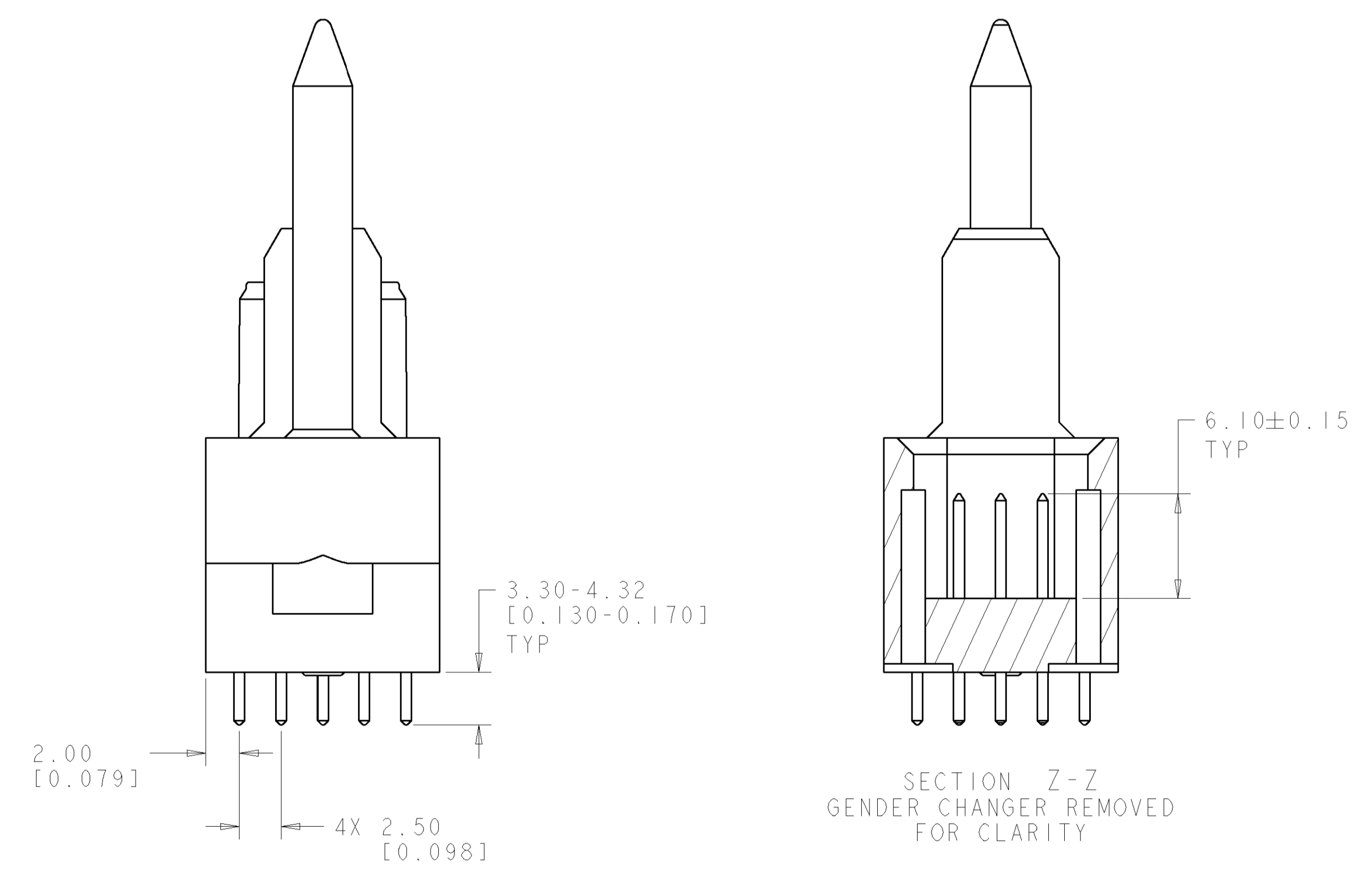
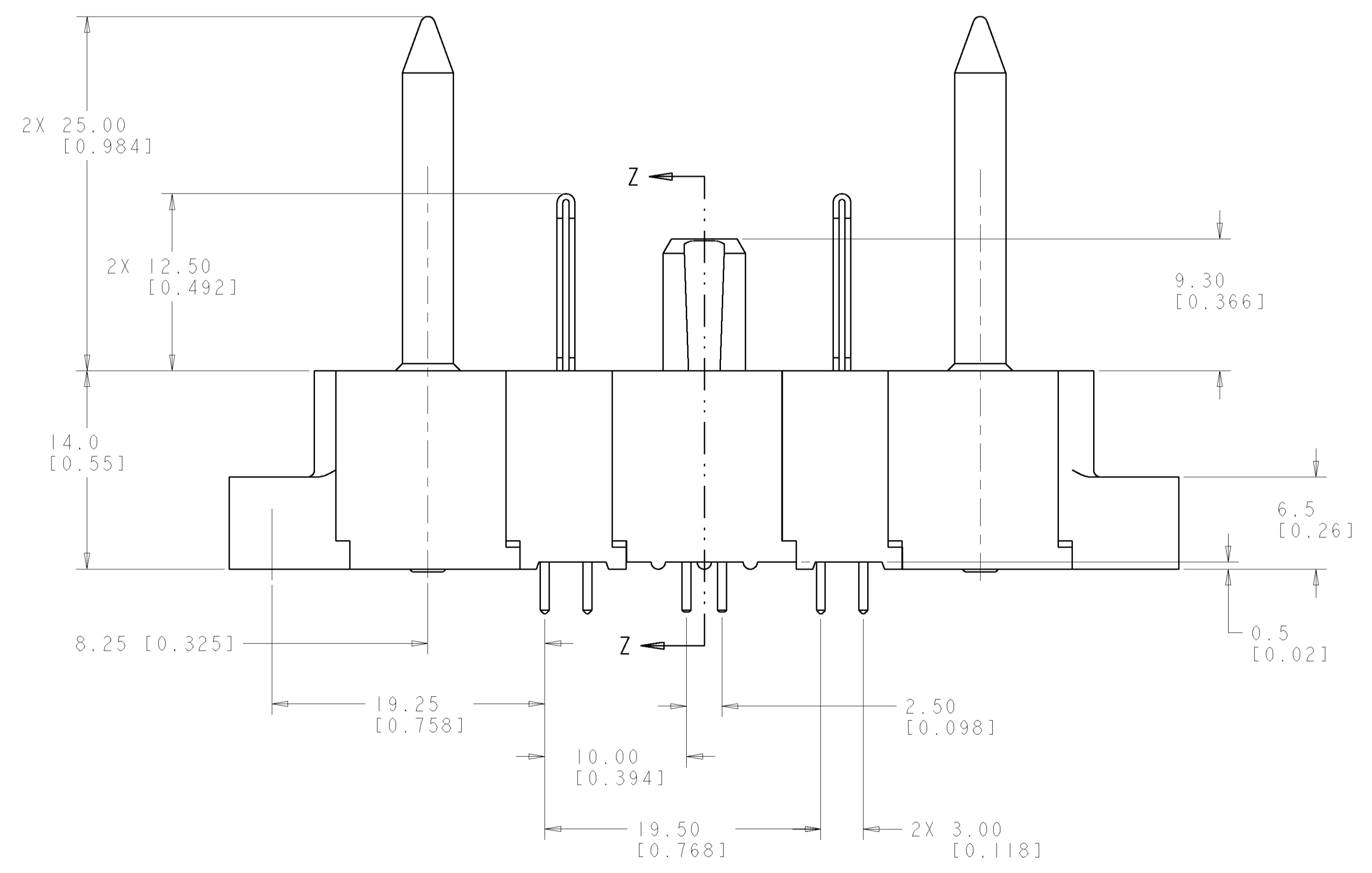


- PART NUMBER CHANGES AND OR DESIGN CHANGES AFFECTING ITEM INTERCHANGEABILITY REQUIRE PRIOR TYCO APPROVAL AND AUTHORIZATION BY REVISION TO THIS DRAWING.
- MATERIAL:  
 INSULATORS - THERMOPLASTIC, GLASS REINFORCED, COLOR: BLACK  
 UL94V-0 FLAMMABILITY RATED.  
 POWER CONTACTS - PHOSPHOR BRONZE ALLOY,  
 COPPER ALLOY  
 CROWN BANDS - BERYLLIUM COPPER ALLOY  
 SIGNAL CONTACTS - BRASS ALLOY
- FINISH:  
 CONTACTS - GOLD PLATE .000030" MIN. THK., OVER NICKEL,  
 .000050" MIN. THK  
 SOLDER TAILS TIN .000100" MIN. THK. OVER NICKEL  
 .000050" MIN THK.

△ ITEMS PROVIDED TO THIS SPECIFICATION TO BE PERMANENTLY IDENTIFIED PER THE FOLLOWING IDENTIFIER LABEL

YEAR WEEK  
 TYCO PART NO. DATE CODE (e.g. 0106)  
 XXXXXXX-X XXXX

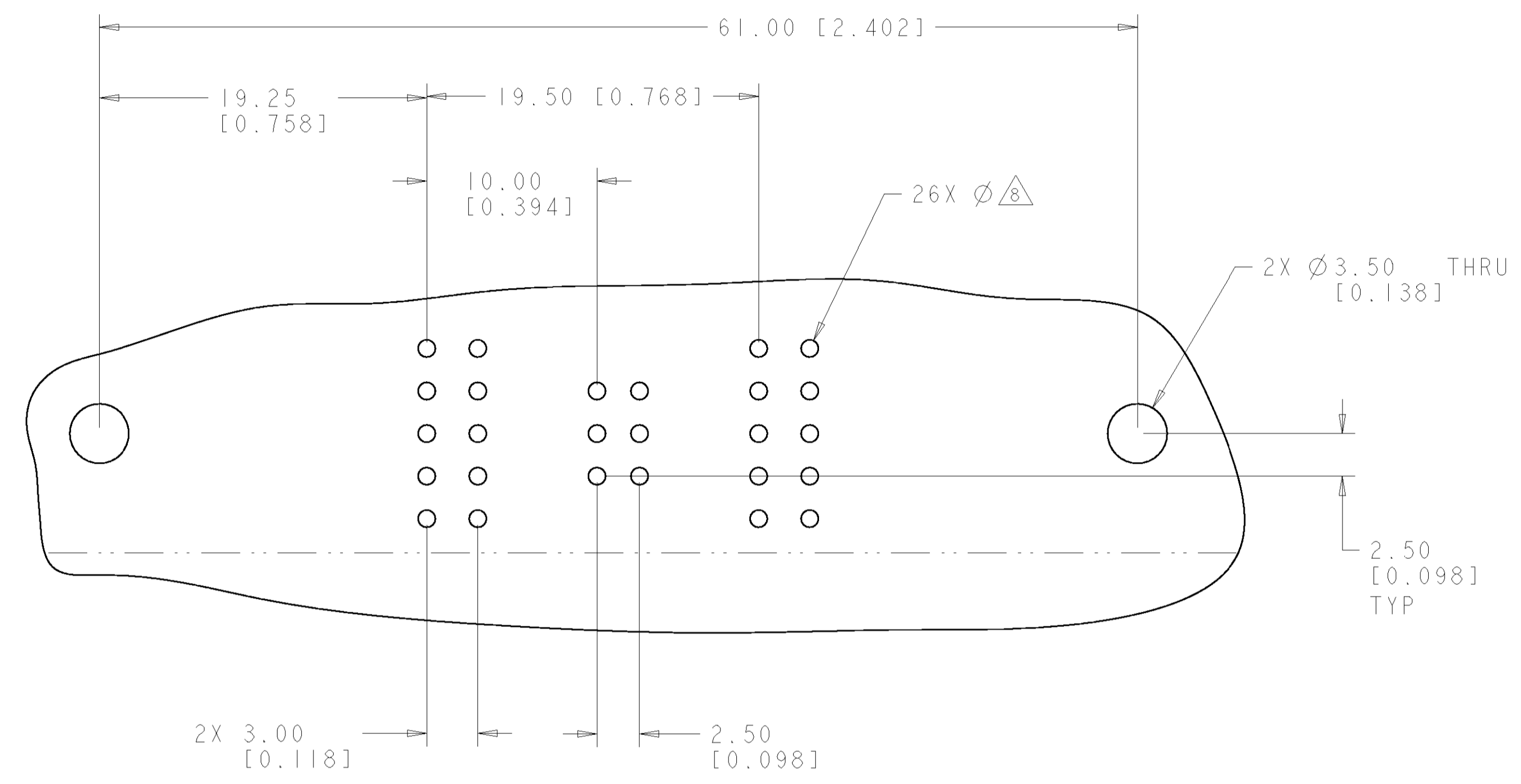
- MATES WITH TYCO P/N 6766300-1
- MOUNTING FLANGES ACCEPT M3 OR #4-40 SCREWS (USER SUPPLIED)



AS SHOWN	6766301-1
DESCRIPTION	PART NUMBER

DIMENSIONS: mm [INCHES]		TOLERANCES UNLESS OTHERWISE SPECIFIED: 0 PLC ± .5 [0.020] 1 PLC ± .5 [0.020] 2 PLC ± .25 [0.010] 3 PLC ± .25 [0.010] 4 PLC ± .25 [0.010] ANGLES ± .5		DWN R. GRZYBOWSKI 230CT06 ENR M. PERCHERKE 230CT06 APVD S. FLICKINGER 230CT06		NAME PRODUCT SPEC APPLICATION SPEC		tyco Tyco Electronics Harrisburg, PA 17105-3608	
MATERIAL - FINISH -		WEIGHT - CUSTOMER DRAWING		SIZE CAGE CODE DRAWING NO A100779C=6766301		RESTRICTED TO		SCALE 4:1 SHEET 1 OF 3 REV A	

LOC	DIST	REVISIONS			
P	LTR	DESCRIPTION	DATE	DWN	APVD
GP	00	SEE SHEET 1	-	-	-

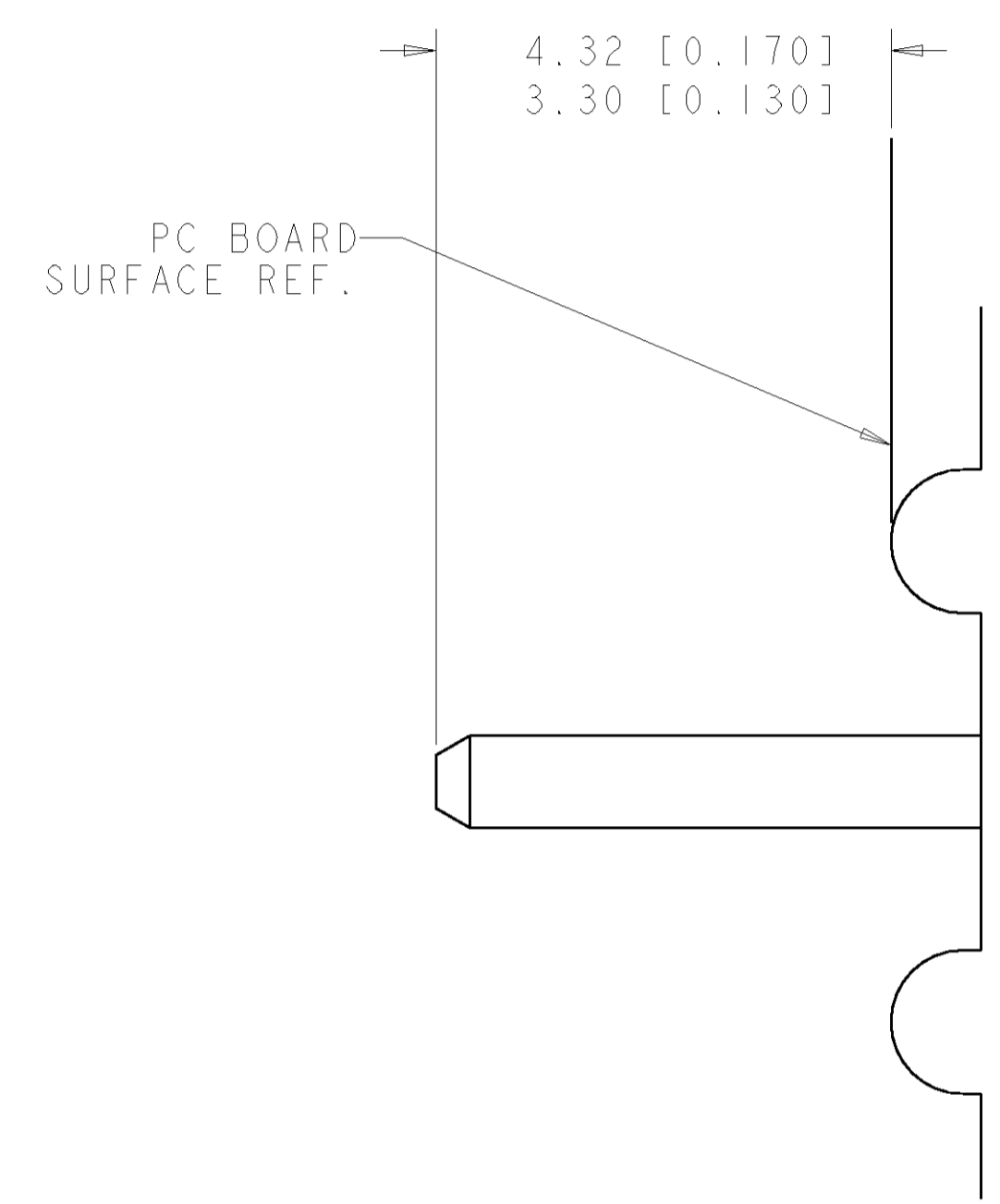


PRINTED CIRCUIT LAYOUT  
 SCALE 4:1

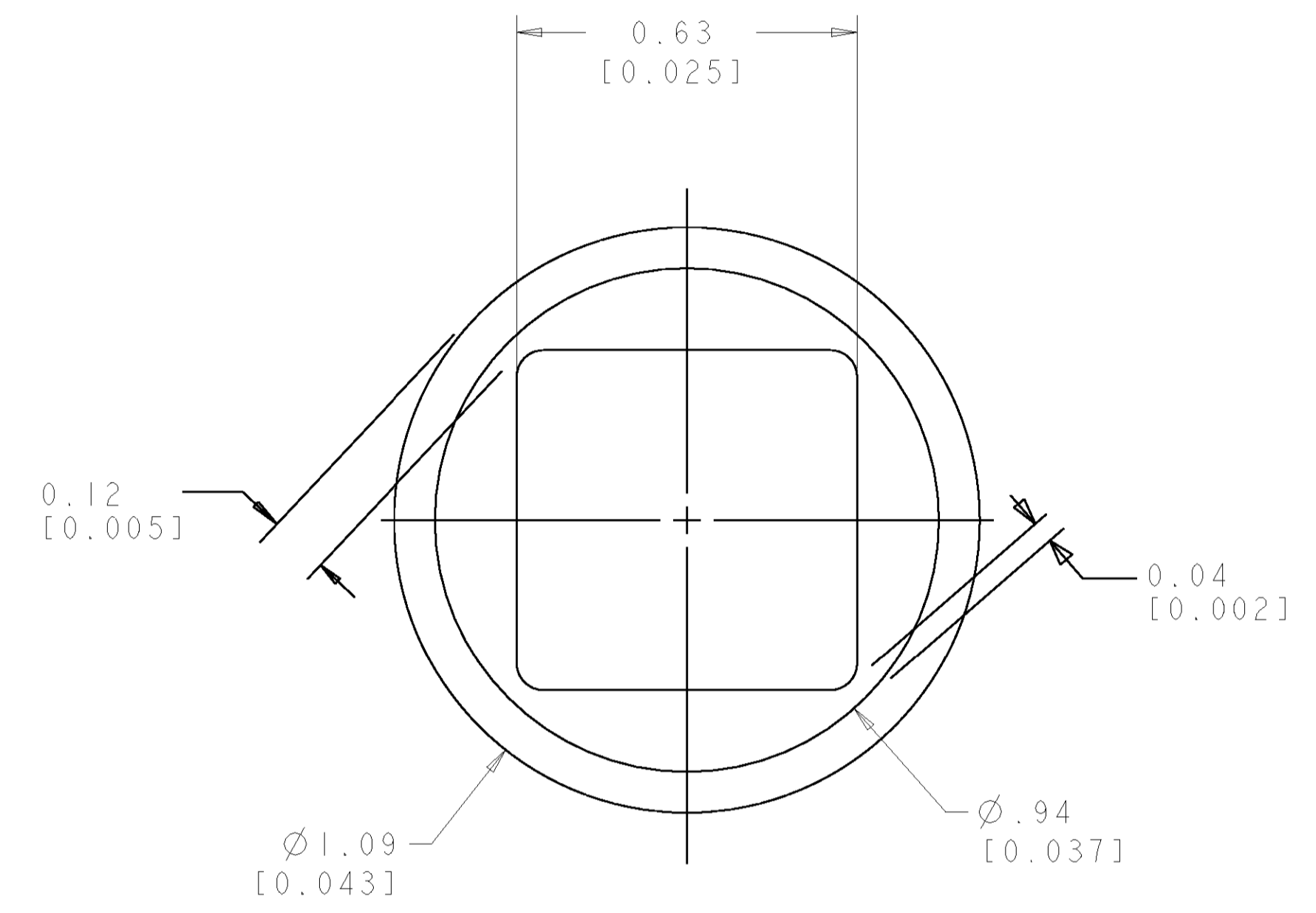
CONNECTOR	CATALOG MODULE #	QTY	SIZE NO.	CONTACT QTY	MATING PIN	MAX. CURRENT (PER CONTACT)	CONTACT SPACING	VOLTAGE RATING
SOCKET	FP102	2	8	2	1.25 X 7.00 [.049 X .276]	35 amps	7.50 [.2953]	250
	FP313	1	22	6	.64 [.025] SQ.	3 amps	2.50 [.0984]	125 VOLTS
	FP500	1	LEFT MOUNTING FLANGE					
	FP501	1	RIGHT MOUNTING FLANGE					
	FP503	2	STRAIGHT GUIDE PIN					

DIMENSIONS: mm [INCHES]		TOLERANCES UNLESS OTHERWISE SPECIFIED: 0 PLC ±.5 [.020] 1 PLC ±.5 [.020] 2 PLC ±.25 [.010] 3 PLC ±.25 [.010] 4 PLC ±.25 [.010] ANGLES ±.5		DWN B. GRZYBOWSKI 230C106 ENR M. PERCHERKE 230C106 APVD S. FLICKINGER 230C106		tyco Electronics Tyco Electronics Harrisburg, PA 17105-3608	
MATERIAL - FINISH -		WEIGHT - CUSTOMER DRAWING		NAME PIN CONNECTOR, FLATPAQ STRAIGHT SOLDER TAILS		SIZE CAGE CODE DRAWING NO. RESTRICTED TO A100779C-6766301 -	
SCALE 4:1				SHEET 2 OF 3		REV A	

LOC	DIST	REVISIONS			
P	LTR	DESCRIPTION	DATE	DNW	APVD
-	-	SEE SHEET 1	-	-	-



7. SOLDER TAIL DETAIL  
 SCALE 10 : 1



**SOLDER TERMINATION AREA**  
 SCALE 40:1  
 RECOMMENDED PRINTED CIRCUIT HOLE  
 SOLDER HOLE  
 FINISHED HOLE:  $\phi$  1.02 [0.040]  $\pm$ .008 [0.0003]  
 DRILLED HOLE:  $\phi$  1.15 [0.0453]  $\pm$ .013 [0.0005]  
 COPPER PLATE: .025 [0.0010] MIN  
 TIN PLATE: .008 [0.0003] MIN. (PER SURFACE)

**ELCON FLATPAQ**

<small>THE DIMENSIONS IN CONDUCTIVE METALS FROM THIS DRAWING TO CONFORM TO THE DIMENSIONS IN THE DRAWING TO BE MADE FOR THE CUSTOMER'S ORGANIZATION SHOULD BE CONTACTED FOR THE LATEST POSITION.</small>		DWN B. GRZYBOWSKI 230CT06 ENR M. PERCHERKE 230CT06 APVD S. FLICKINGER 230CT06	<b>tyco</b> Tyco Electronics Harrisburg, PA 17105-3608
DIMENSIONS: mm [INCHES]	TOLERANCES UNLESS OTHERWISE SPECIFIED: 0 PLC $\pm$ 1 PLC $\pm$ .5 [0.020] 2 PLC $\pm$ .25 [0.010] 3 PLC $\pm$ 4 PLC $\pm$ ANGLES $\pm$ 5 FINISH	NAME PRODUCT SPEC APPLICATION SPEC	PIN CONNECTOR, FLATPAQ STRAIGHT SOLDER TAILS
MATERIAL	FINISH	WEIGHT	RESTRICTED TO
-	-	-	-
CUSTOMER DRAWING		SCALE 4:1	SHEET 3 OF 3 REV A