

Copyright FCJ.



D

C

B

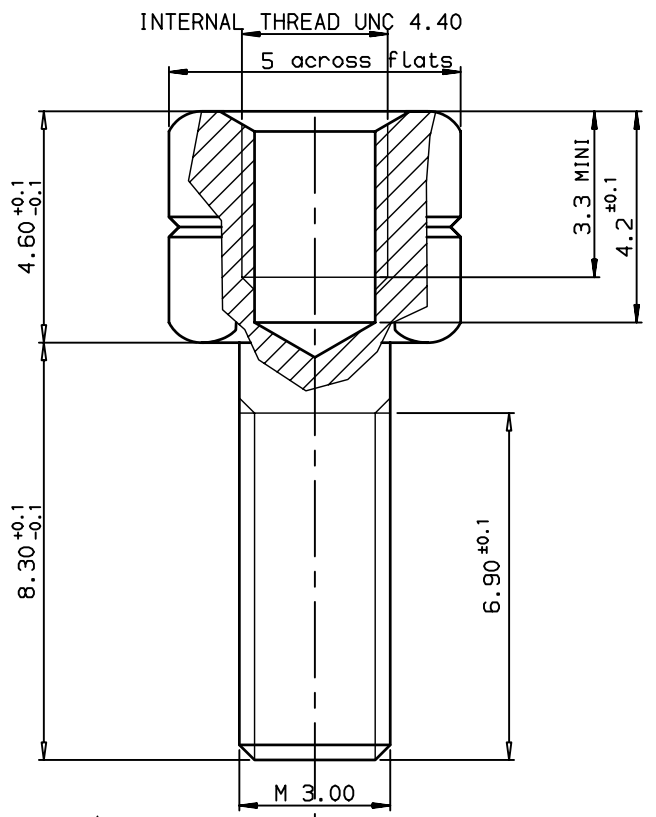
A

1

2

3

4



INTERNAL THREAD UNC 4.40

5 across flats

4.60 +0.1 / -0.1

3.3 MINI ±0.1

4.2

8.30 +0.1 / -0.1

6.90 ±0.1

M 3.00

0.80

Ø6

1.0

5.5 across flats

1.80

0 10 MM

TECHNICAL CHARACTERISTICS :

- Female screw locks: brass, cadmium plated .
- Compensating washer: steel, cadmium plated .
- Nuts : steel, cadmium plated .
- Packaging : per 100 pieces .
- Corrosion resistance : 50 hour exposure to salt spray .

Part number 863001

European Views

rev	ecn no	dr	date
A	-	JOU	1995/06/20
B	LS06-0097	LGO	2006/07/28
C	LS07-0001	MPE	2007/01/04
D	LS09-0006	PCR	2008/01/08
E	LS09-0063	PCR	2009/03/25
-	-	-	-
-	-	-	-

www.fciconnect.com		surface ISO 1302 ✓	tolerance std ISO 406 ISO 1101	projection 1st angle	mm
TOLERANCES UNLESS OTHERWISE SPECIFIED					
ANGULAR	LINEAR	0.X	±0.1	size A3	Scale 10
0.XX	±2°	0.XX	±0.1	ECN LS09-0063	Spec ref -
0.XXX		0.XXX	±0.1	Product family D-SUB	
Dr	JOUBERT	1995/06/20			
Eng	PESSON	1995/06/20			
Chr	LEGARE	1995/06/20			
Appr	LEGARE	1995/06/20			
FCJ		title FEMALE SCREW LOCKS		dwg no C01-8655-0677	
		D SUB ACCESSORIES		Rev. E	
catalog no		-		CUSTOMER sheet 1 of 1	

REV F - 2006-04-17