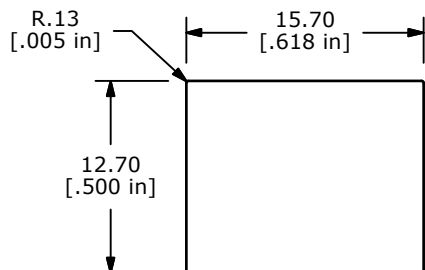
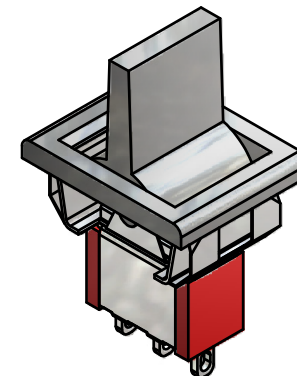
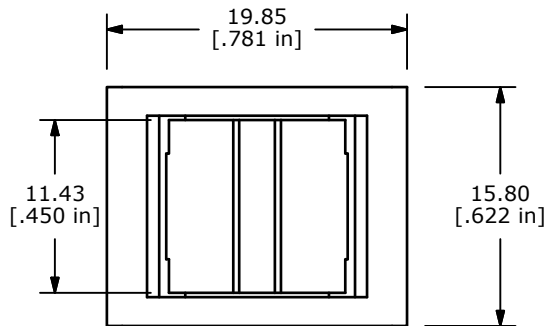
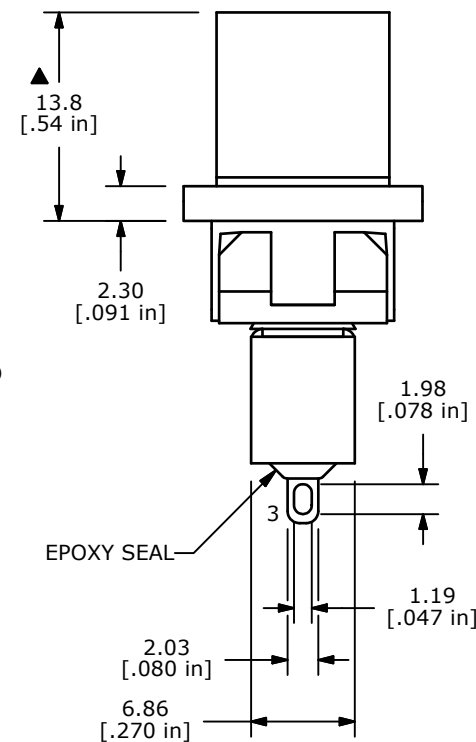
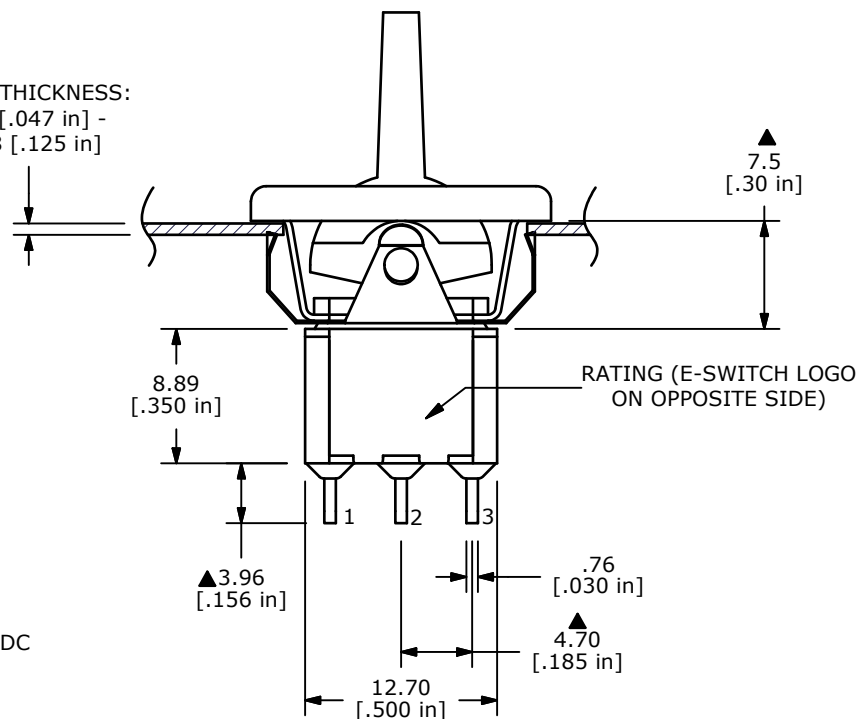


SWITCH FUNCTION		
POS. 1	POS. 2	POS. 3
ON	OFF	ON
2-3	OPEN	2-1



RECOMMENDED PANEL MOUNTING

PANEL THICKNESS:
1.19 [.047 in] -
3.18 [.125 in]



NOTE:

1. ALL DIMENSIONS IN MM [INCH]
2. GENERAL TOLERANCE: X.X=±0.4
X.XX=±0.25
3. TERMINAL NUMBERS FOR REF ONLY
- ▲ 4. PLATING MATERIAL: GOLD
5. RATING: 0.4 VA MAX. @20V MAX. AC OR DC
6. CONTACT RESISTANCE: 10 mΩ max. initial @ 2-4 VDC
7. ELECTRIC LIFE: 40,000 make-and-break cycles at full load.
8. INSULATION RESISTANCE: 1,000 MΩ min.
9. DIELECTRIC STRENGTH: 1,000 V RMS @sea level.
10. OPERATING TEMP.: -30°C to 85°C
11. ▲ DENOTES CRITICAL PARAMETER.
12. 2002/95/EC (ROHS) COMPLIANT



TITLE 300SP3R7BLKM1REBLK

A	20006	RELEASE FOR PRODUCTION	6/16/11	BGL
REV	PCR NO	DESCRIPTION	DATE	BY

THE INFORMATION CONTAINED IN THIS DOCUMENT IS PROPRIETARY TO E-SWITCH AND IS NOT TO BE COPIED OR TRANSFERRED

SCALE 2=1	DATE 6/16/2011	DR BGL	DWG T311070	REV A
-----------	----------------	--------	-------------	-------