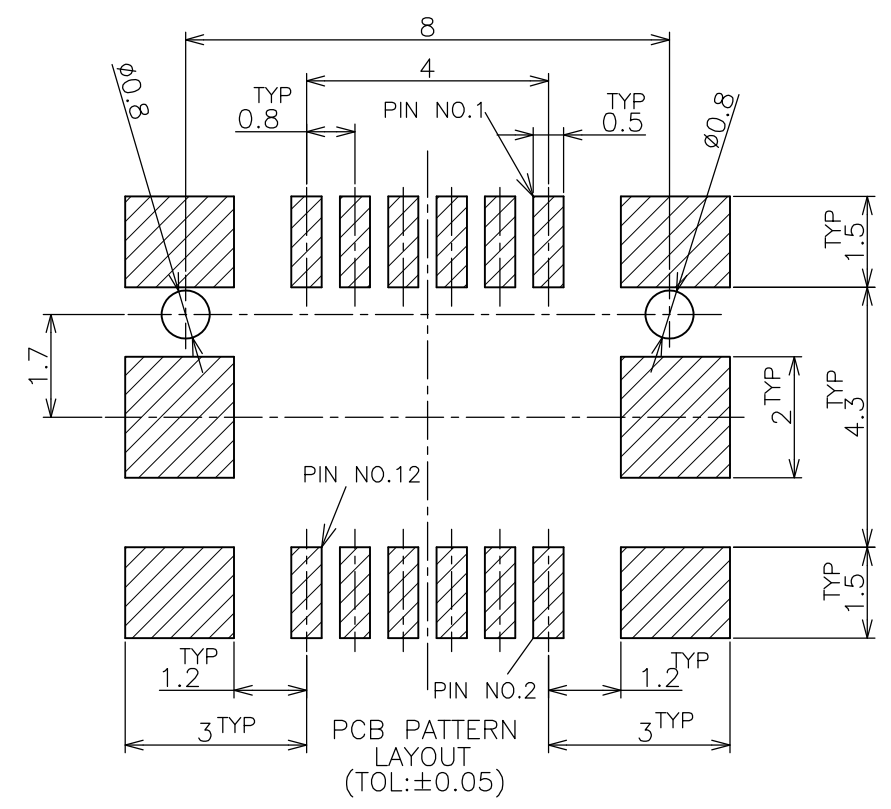
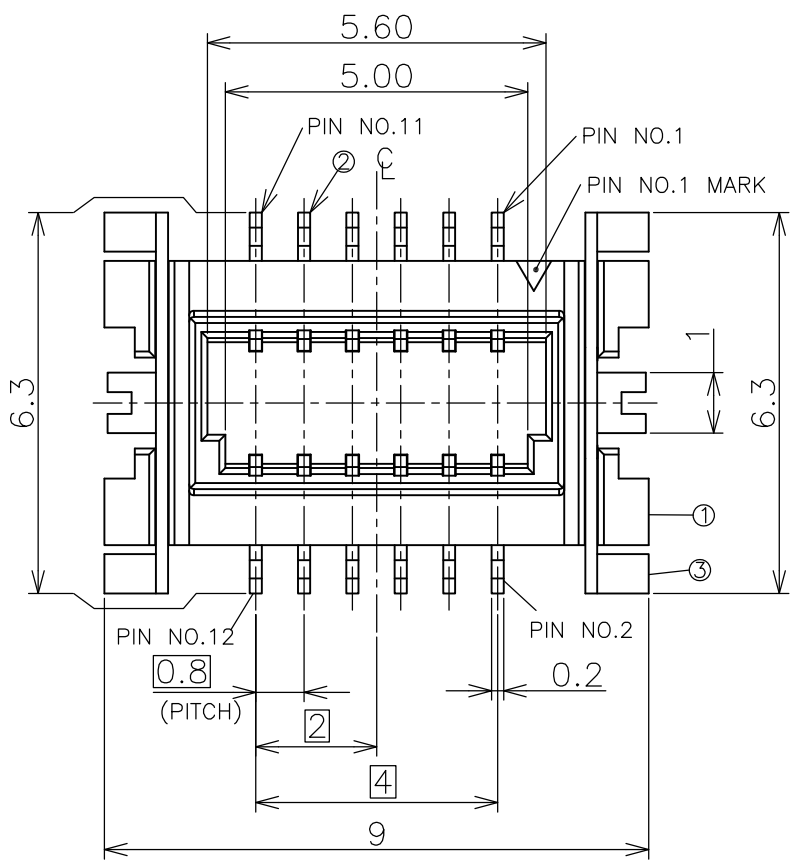
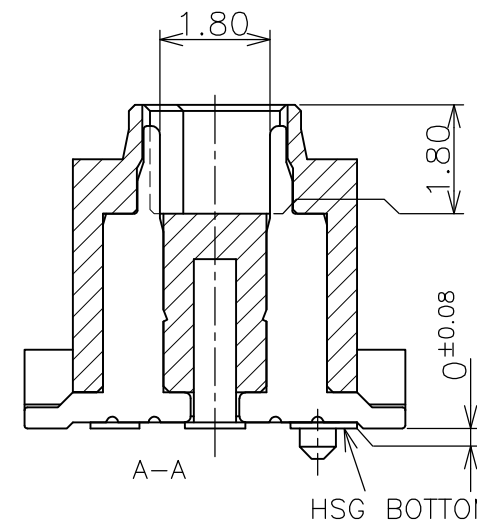
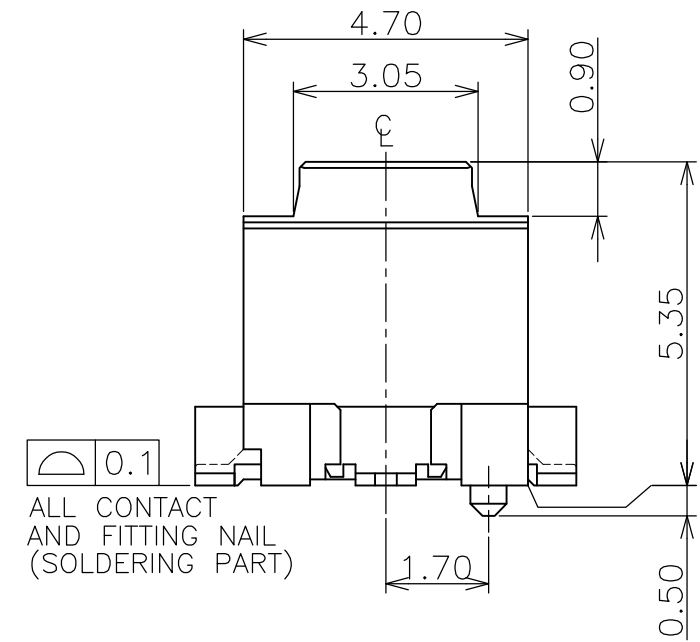
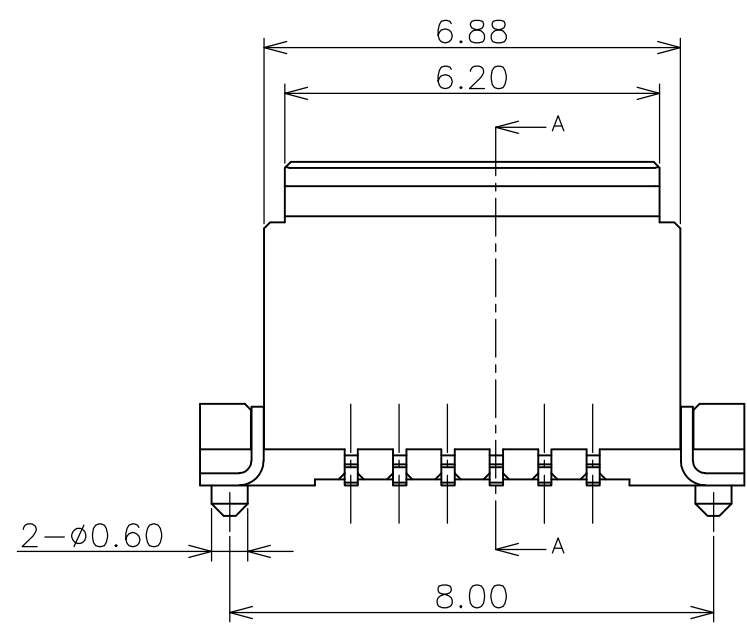


THIS DRAWING IS UNPUBLISHED. RELEASED FOR PUBLICATION MAR, 2008.
 © COPYRIGHT 2008 BY TYCO ELECTRONICS CORPORATION. ALL INTERNATIONAL RIGHTS RESERVED.

LOC	DIST	REVISIONS					
J	/	P	LTR	DESCRIPTION	DATE	DWN	APVD
		E		REVISED(ECR-11-005107)	09MAR2011	H.F	S.K



- NOTE
- MATERIAL:
 - ① HOUSING : SEE BELOW CHART, UL94V-0 NATURAL
 - ② CONTACT : PHOSPHOR BRONZE
 - ③ FITTING NAIL : BRASS
 - FINISH:
 - CONTACT : TIN (MATTE) PLATED ALL OVER.
NICKEL UNDERPLATED ALL OVER.
 - FITTING NAIL : TIN (MATTE) PLATED ALL OVER.
NICKEL UNDERPLATED ALL OVER.



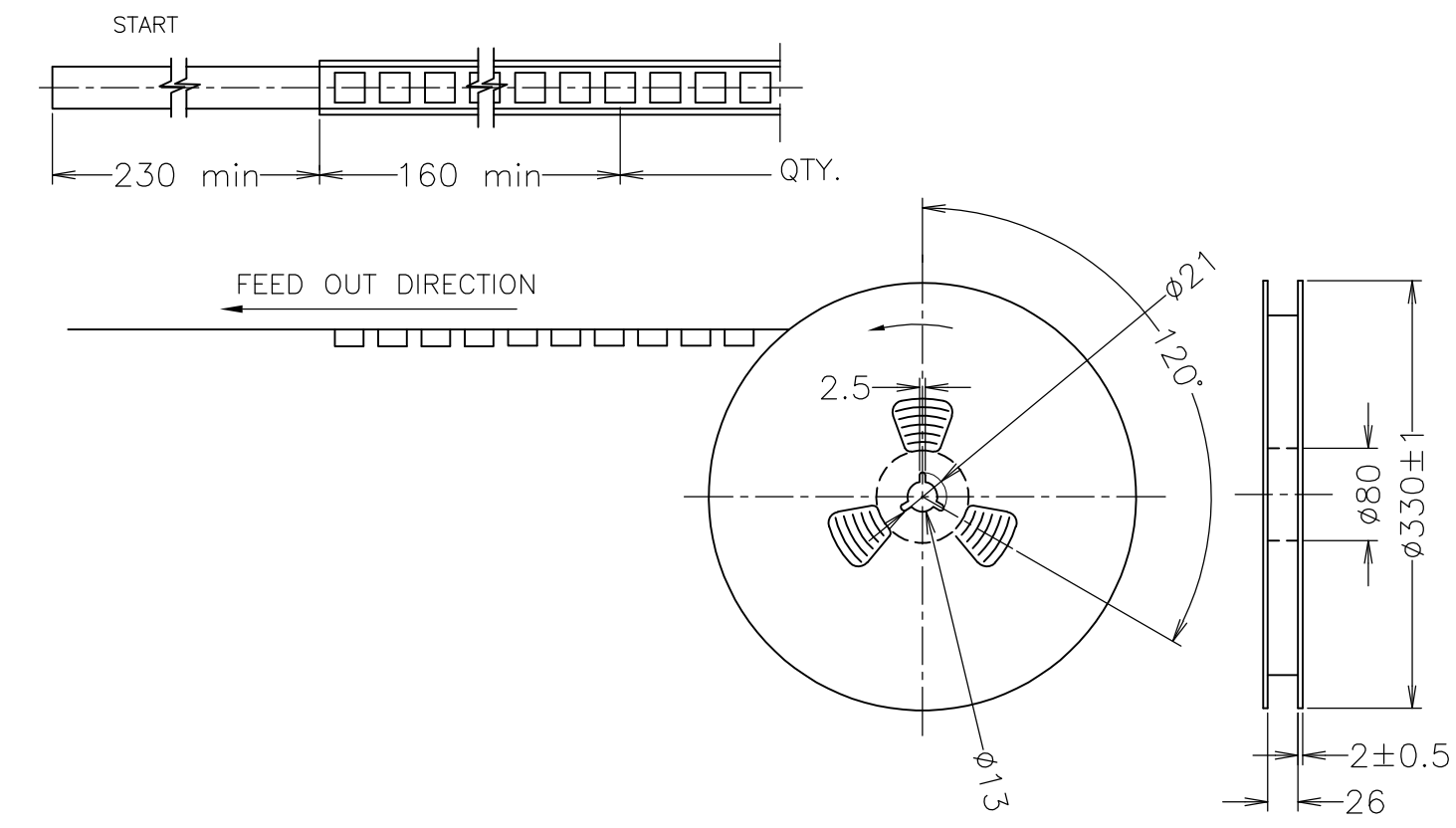
LCP	WITH	12P	3-2040478-2
THERMO-PLASTIC	WITH	12P	2-2040478-2
	WITHOUT	12P	1-2040478-2
MATERIAL	CAP	POS	PART NO.

AS SHOWN: 1-2040478-2
 AND STATUS OF WITHOUT CAP 2-2040478-2, 3-2040478-2

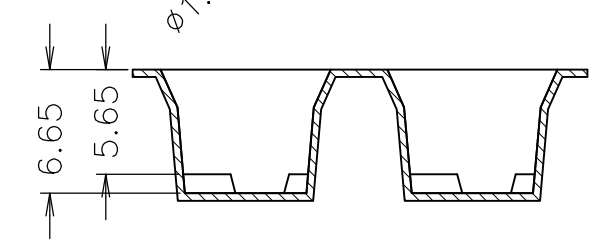
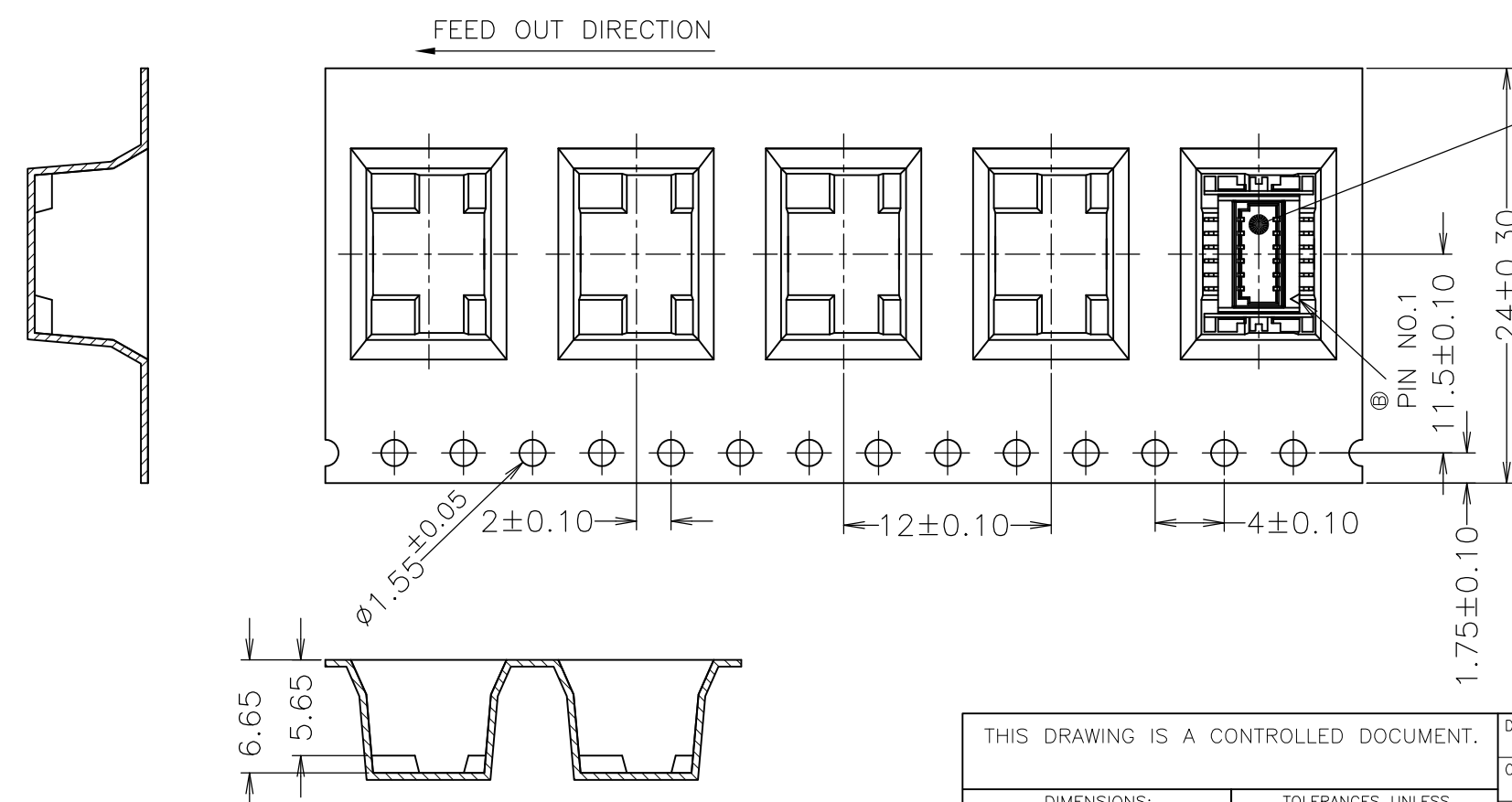
THIS DRAWING IS A CONTROLLED DOCUMENT.		DWN H.FUKUZAKI 21MAR2008	Tyco Electronics Corporation Kawasaki, Japan	
DIMENSIONS: 単位: 耗 mm		CHK T.YAMADA 21MAR2008	NAME T.YAMADA	
TOLERANCES UNLESS OTHERWISE SPECIFIED: 一般公差		APVD T.YAMADA 21MAR2008	PRODUCT SPEC 製品規格 108-78548	
0 PLC ± 0.3 1 PLC ± 0.3 2 PLC ± 0.2 3 PLC ± - 4 PLC ± - ANGLES ± 3'		APPLICATION SPEC 取付適用規格		
MATERIAL 材料	FINISH 仕上	WEIGHT	SIZE A3	CAGE CODE 00779
		DRAWING NO G-2040478		RESTRICTED TO
CUSTOMER DRAWING		SCALE 尺度 NTS	SHEET 1 OF 5	REV E

THIS DRAWING IS UNPUBLISHED. RELEASED FOR PUBLICATION MAR , 2008.
 © COPYRIGHT 2008 BY TYCO ELECTRONICS CORPORATION. ALL INTERNATIONAL RIGHTS RESERVED.

LOC	DIST	REVISIONS					
J	/	P	LTR	DESCRIPTION	DATE	DWN	APVD
		-		SEE SHEET 1	-	-	-



- NOTE
- MATERIAL
 - EMBOSSED CARRIER: PS
 - COVER TAPE: PS
 - SHIPPING CARTON: CORRUGATED FIBER
 - DIMENSION
 - REEL: W=24.0
 - SHIPPING CARTON: L=350, W=350, H=350
 - QUANTITY
 - PRIMARY PACKING: 700PCS/REEL
 - SECONDARY PACKING: 10 REELS/CARTON(7000PCS)Ⓔ
 - WEIGHT
 - GROSS WEIGHT: 0.55kg/REEL, 6.3kg/CARTON.
 - PEELING RESISTANCE: 30.0gf~120.0gf (PEELING SPEED: 300mm/minutes.)

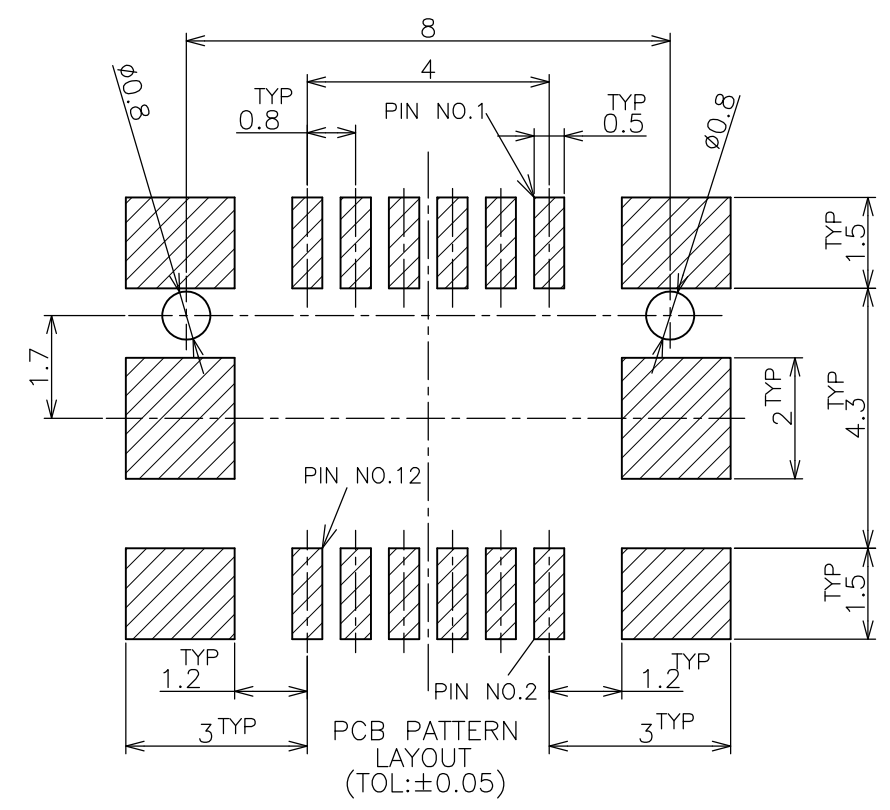
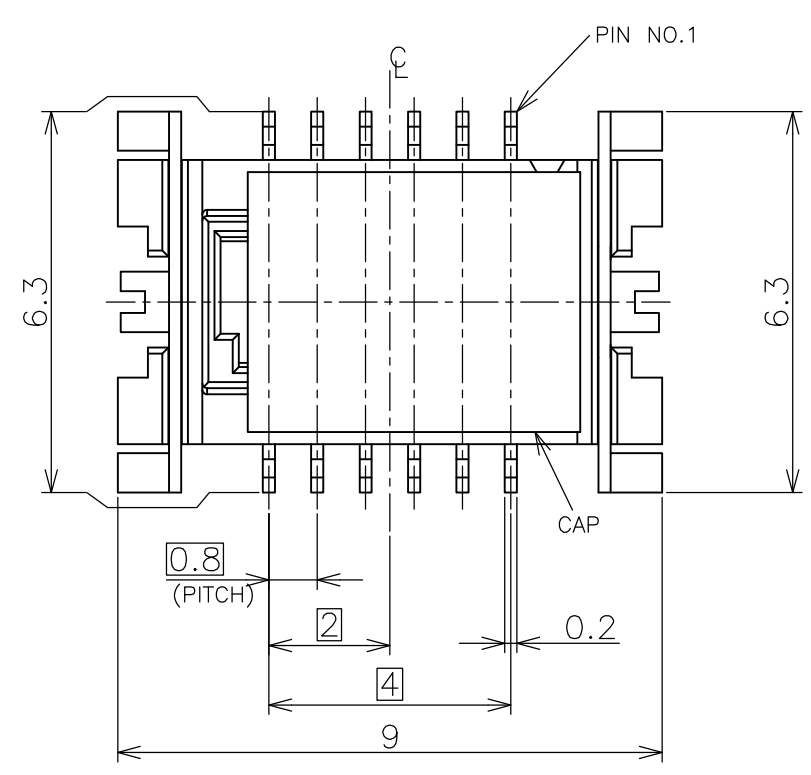


AS SHOWN: 1-2040478-2

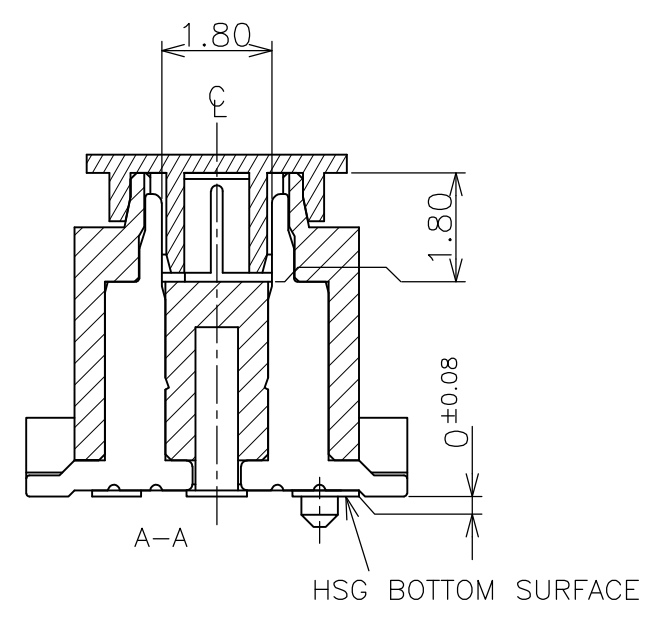
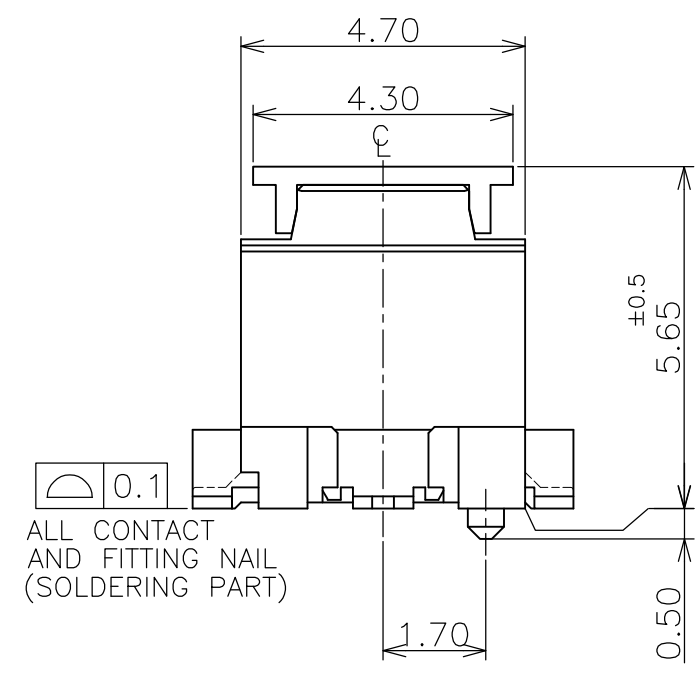
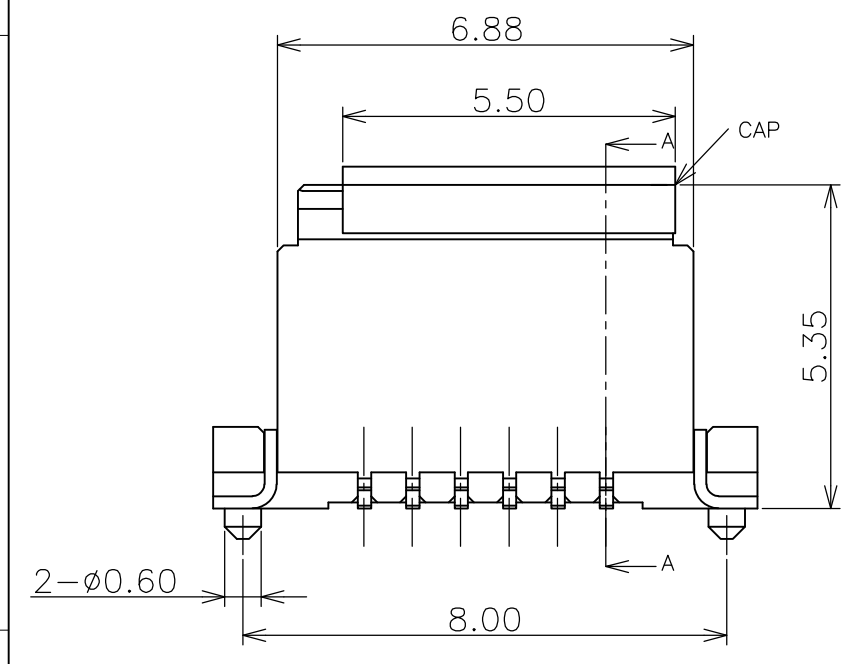
THIS DRAWING IS A CONTROLLED DOCUMENT.		DWN H.FUKUZAKI 21MAR2008	Tyco Electronics Corporation Kawasaki, Japan	
DIMENSIONS: 単位: 耗 mm		CHK T.YAMADA 21MAR2008	NAME T.YAMADA	
TOLERANCES UNLESS OTHERWISE SPECIFIED: 一般公差		APVD T.YAMADA 21MAR2008	PRODUCT SPEC 製品規格 108-78548	
MATERIAL 材料		FINISH 仕上	APPLICATION SPEC 取付適用規格	
0 PLC ± 0.3		PRODUCT SPEC 製品規格 108-78548		SIZE A3
1 PLC ± 0.3		APPLICATION SPEC 取付適用規格		CAGE CODE 00779
2 PLC ± 0.2		WEIGHT		DRAWING NO C-2040478
3 PLC ± -		CUSTOMER DRAWING		RESTRICTED TO -
4 PLC ± -		SCALE 尺度 NTS		SHEET 2 OF 5
ANGLES ± 3'		SCALE 尺度 NTS		REV E

THIS DRAWING IS UNPUBLISHED. RELEASED FOR PUBLICATION MAR , 2008.
 © COPYRIGHT 2008 BY TYCO ELECTRONICS CORPORATION. ALL INTERNATIONAL RIGHTS RESERVED.

LOC	DIST	REVISIONS					
J	/	P	LTR	DESCRIPTION	DATE	DWN	APVD
		-		SEE SHEET 1	-	-	-



NOTE
 1. MATERIAL:
 CAP : THERMOPLASTIC OR LCP, UL94V-0
 OTHR COMPONENT : SEE SHEET1



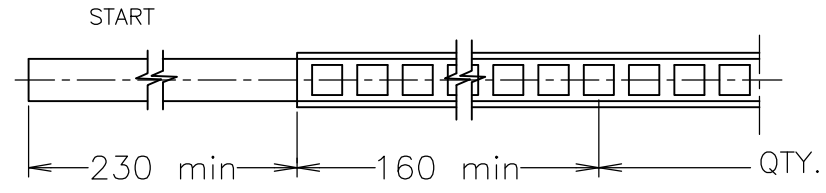
AS SHOWN: 2-2040478-2, 3-2040478-2

THIS DRAWING IS A CONTROLLED DOCUMENT.		DWN H.FUKUZAKI 21MAR2008	Tyco Electronics Corporation Kawasaki, Japan	
DIMENSIONS: 単位: 耗 mm		CHK T.YAMADA 21MAR2008	NAME T.YAMADA	
TOLERANCES UNLESS OTHERWISE SPECIFIED: 一般公差		APVD T.YAMADA 21MAR2008	PRODUCT SPEC 製品規格 108-78548	
0 PLC ± 0.3 1 PLC ± 0.3 2 PLC ± 0.2 3 PLC ± - 4 PLC ± - ANGLES ± 3'		APPLICATION SPEC 取付適用規格		BOARD TO BOARD 0.8mm PITCH 6.0HEIGHT VERTICAL, SMT TYPE
MATERIAL 材料	FINISH 仕上	WEIGHT	SIZE A3	CAGE CODE 00779
CUSTOMER DRAWING		DRAWING NO G-2040478		RESTRICTED TO -
SCALE 尺度 NTS		SHEET 3 OF 5		REV E

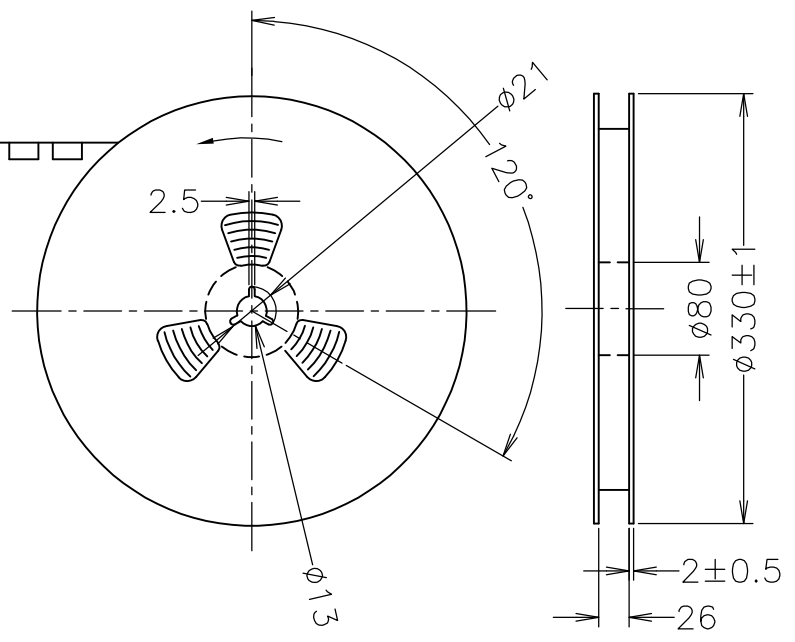
THIS DRAWING IS UNPUBLISHED. RELEASED FOR PUBLICATION MAR, 2008.
 © COPYRIGHT 2008 BY TYCO ELECTRONICS CORPORATION. ALL INTERNATIONAL RIGHTS RESERVED.

LOC	DIST	REVISIONS		
		P	LTR	DESCRIPTION
J	/	-	-	SEE SHEET 1

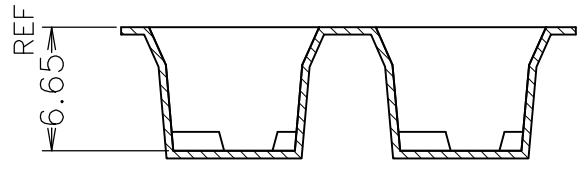
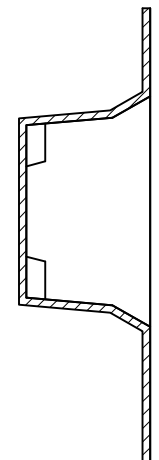
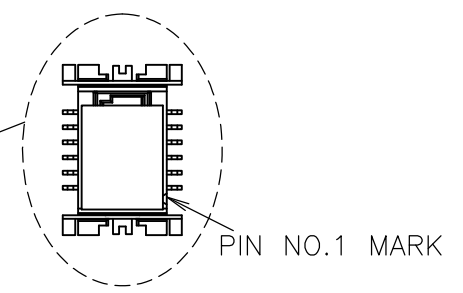
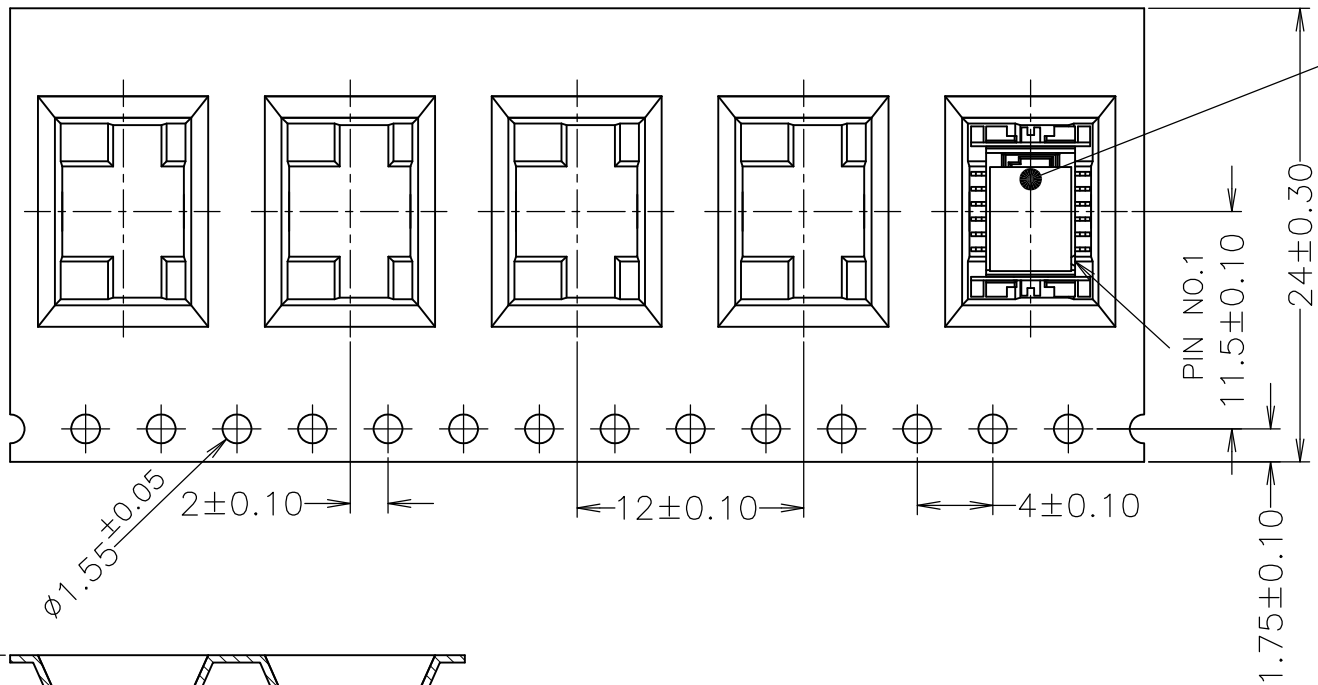
- NOTE
- MATERIAL
 - EMBOSSED CARRIER: PS
 - COVER TAPE: PS
 - SHIPPING CARTON: CORRUGATED FIBER
 - DIMENSION
 - REEL: W=24.0
 - SHIPPING CARTON: L=350, W=350, H=350
 - QUANTITY
 - PRIMARY PACKING: 700PCS/REEL
 - SECONDARY PACKING: 10 REELS/CARTON(7000PCS)Ⓔ
 - WEIGHT
 - GROSS WEIGHT: 0.58kgf/REEL, 6.3kgf/CARTON.
 - PEELING RESISTANCE: 30.0gf~120.0gf
(PEELING SPEED: 300mm/minutes.)



FEED OUT DIRECTION



FEED OUT DIRECTION



AS SHOWN: 2-2040478-2, 3-2040478-2

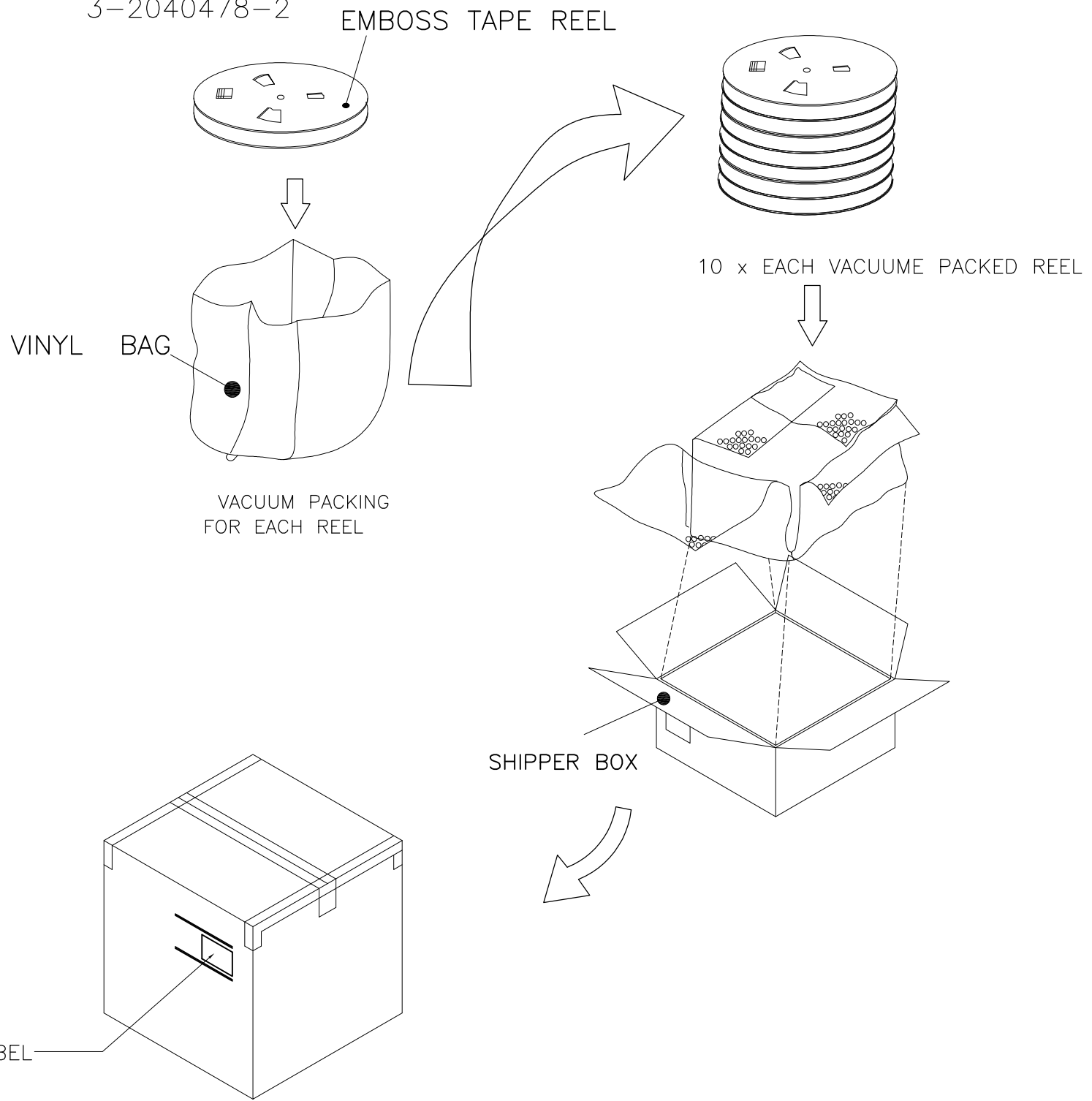
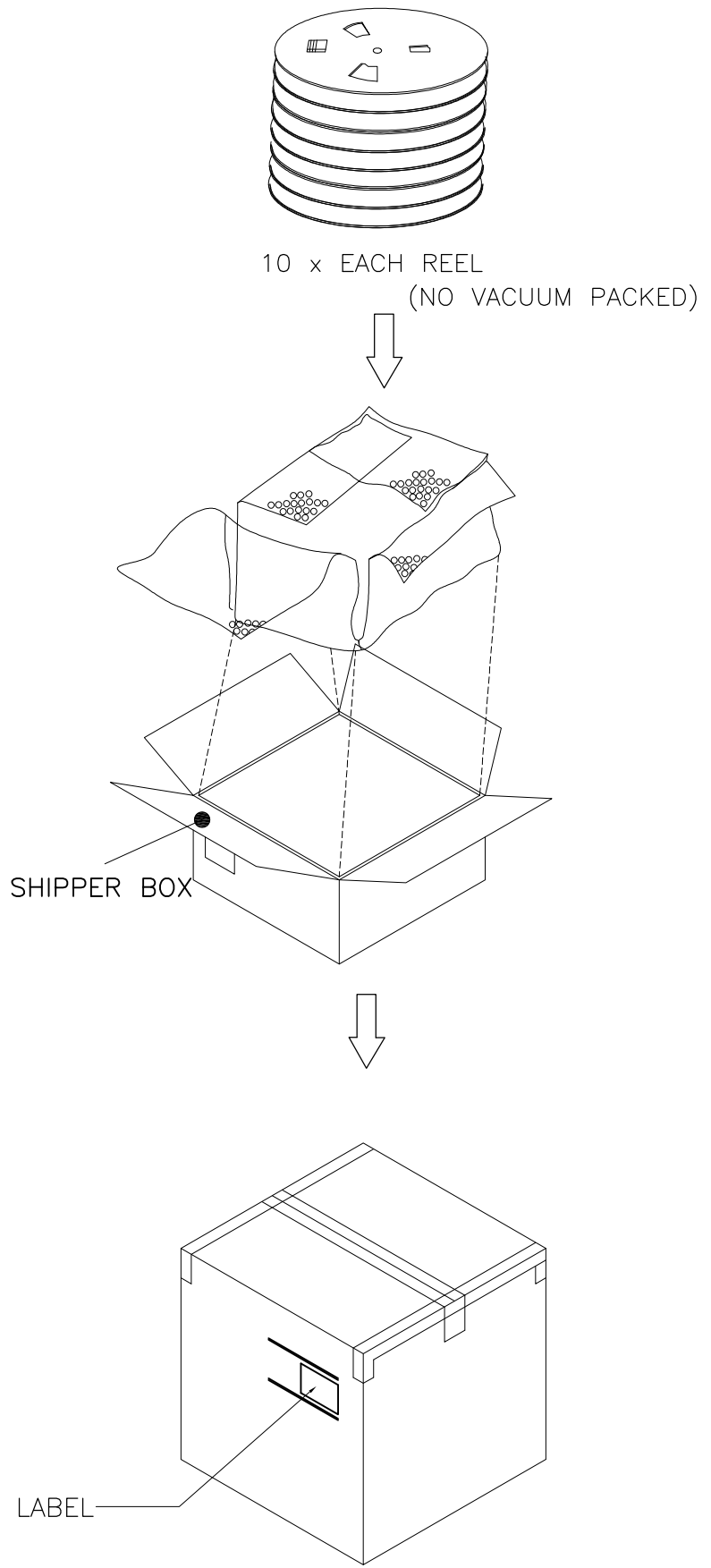
THIS DRAWING IS A CONTROLLED DOCUMENT.		DWN H.FUKUZAKI 21MAR2008	Tyco Electronics Corporation Kawasaki, Japan	
DIMENSIONS: 単位: 耗 mm		CHK T.YAMADA 21MAR2008	NAME T.YAMADA	
TOLERANCES UNLESS OTHERWISE SPECIFIED: 一般公差		APVD T.YAMADA 21MAR2008	PRODUCT SPEC 製品規格 108-78548	
MATERIAL 材料		FINISH 仕上	APPLICATION SPEC 取付適用規格	
0 PLC ± 0.3		NAME BOARD TO BOARD		
1 PLC ± 0.3		0.8mm PITCH 6.0HEIGHT VERTICAL, SMT TYPE		
2 PLC ± 0.2		SIZE A3	CAGE CODE 00779	DRAWING NO C-2040478
3 PLC ± -		RESTRICTED TO		
4 PLC ± -		CUSTOMER DRAWING		
ANGLES ± 3'		SCALE 尺度 NTS		
SHEET 4 OF 5		REV E		

THIS DRAWING IS UNPUBLISHED. RELEASED FOR PUBLICATION MAR , 2008.
 © COPYRIGHT 2008 BY TYCO ELECTRONICS CORPORATION. ALL INTERNATIONAL RIGHTS RESERVED.

LOC	DIST	REVISIONS		
J	/	P	LTR	DESCRIPTION
		-		SEE SHEET 1
			DATE	DWN
			-	-
			APVD	-

AS SHOWN: 1-2040478-2

AS SHOWN: 2-2040478-2
3-2040478-2



THIS DRAWING IS A CONTROLLED DOCUMENT.		DWN H.FUKUZAKI 21MAR2008	Tyco Electronics Corporation	
DIMENSIONS: 单位: 耗 mm		CHK T.YAMADA 21MAR2008	Tyco Electronics Kawasaki, Japan	
TOLERANCES UNLESS OTHERWISE SPECIFIED: 一般公差		APVD T.YAMADA 21MAR2008	NAME 名称	
0 PLC ± 0.3		PRODUCT SPEC 製品規格 108-78548	BOARD TO BOARD	
1 PLC ± 0.3		APPLICATION SPEC 取付適用規格	0.8mm PITCH 6.0HEIGHT VERTICAL, SMT TYPE	
2 PLC ± 0.2		WEIGHT	SIZE A3	CAGE CODE 00779
3 PLC ± -		FINISH 仕上	DRAWING NO 番号 G-2040478	RESTRICTED TO -
4 PLC ± -			SCALE 尺度 NTS	SHEET 5 OF 5
MATERIAL 材料		CUSTOMER DRAWING		