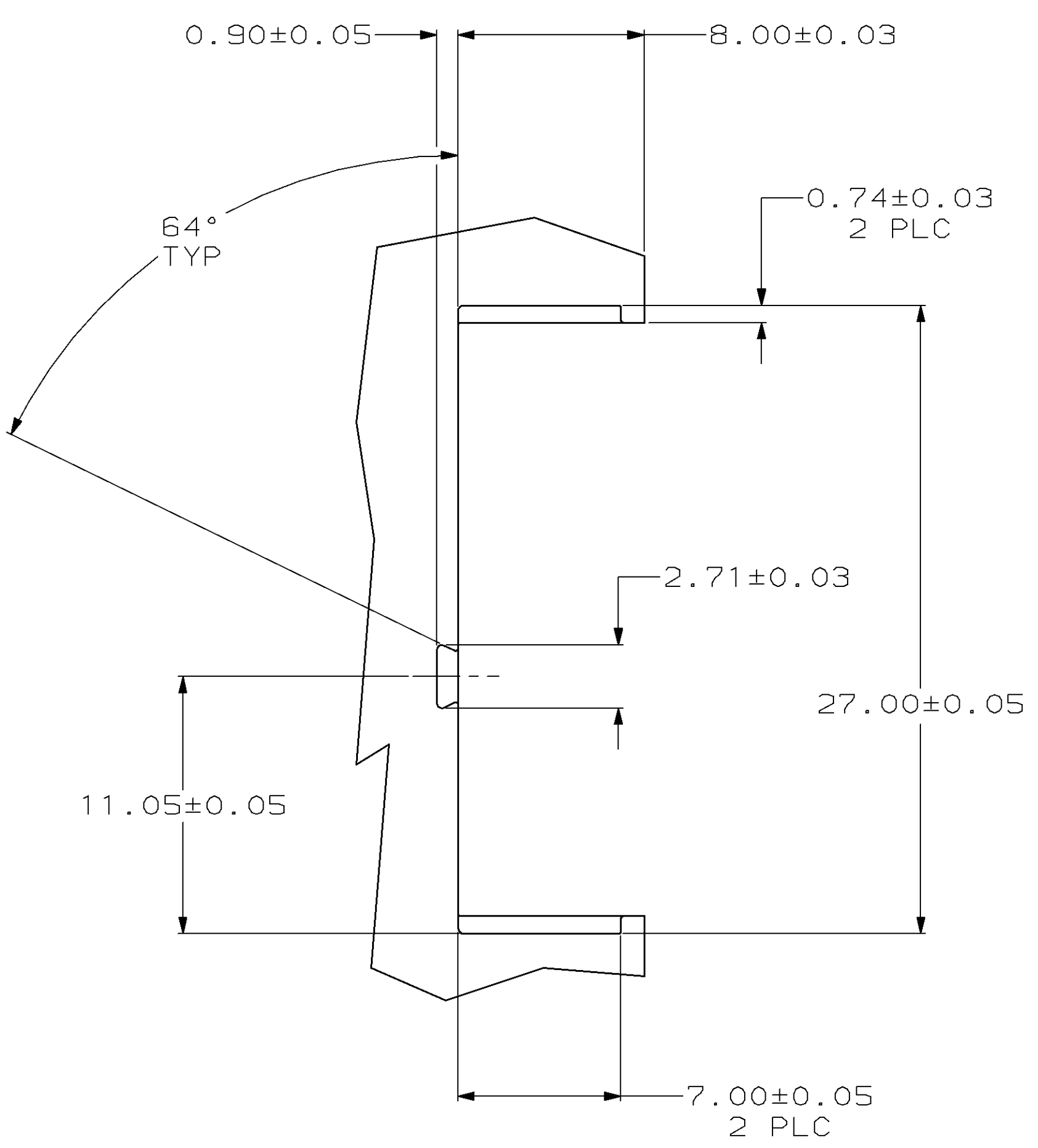
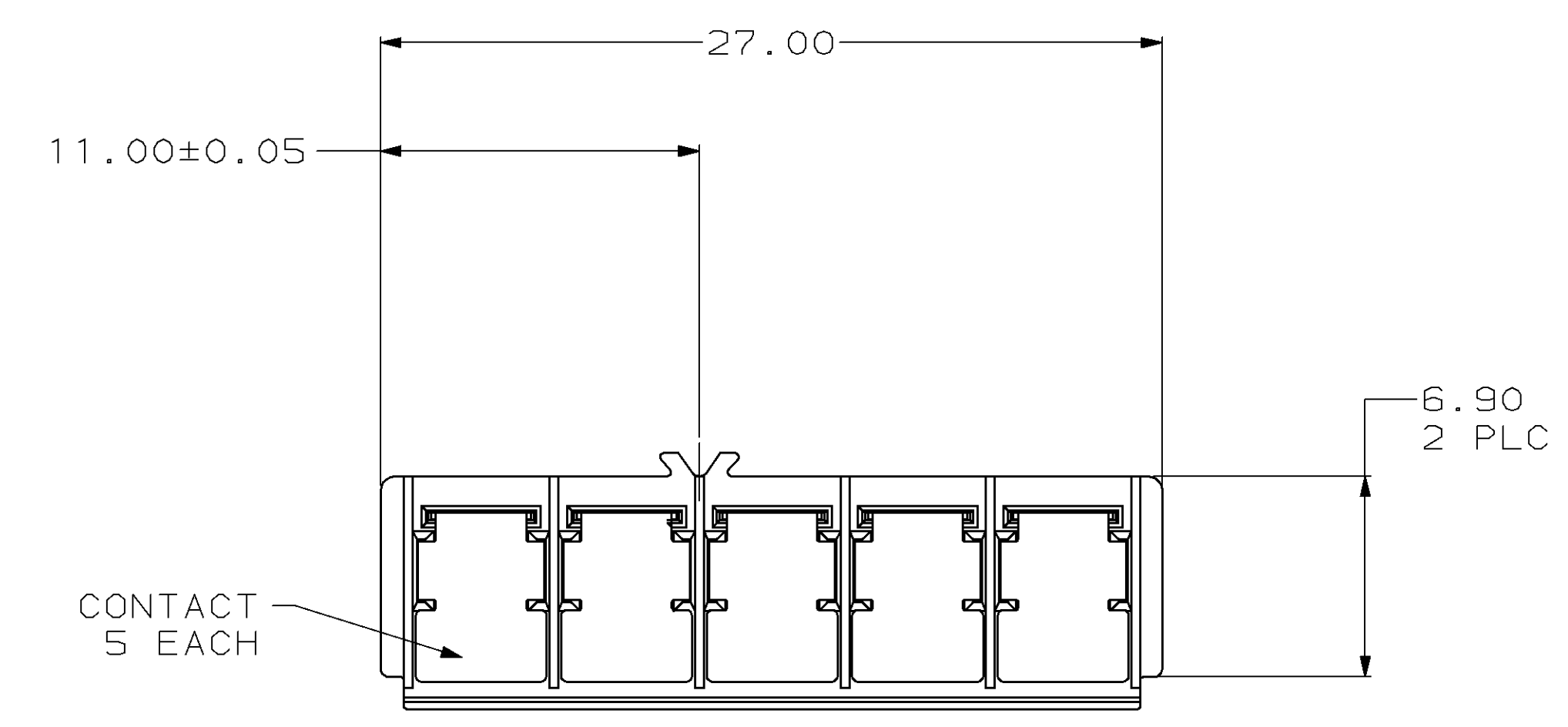


LOC		DIST		REVISIONS			
P	LTR	DESCRIPTION	DATE	DMN	APVD		
0		RELEASED	5/15/97	JR	CB		
A		REV PER 0410-0264-97	7/23/97	JR	CB		
B		REV PER EC 061C-0074-98	29 MAY 98	CD	DW		

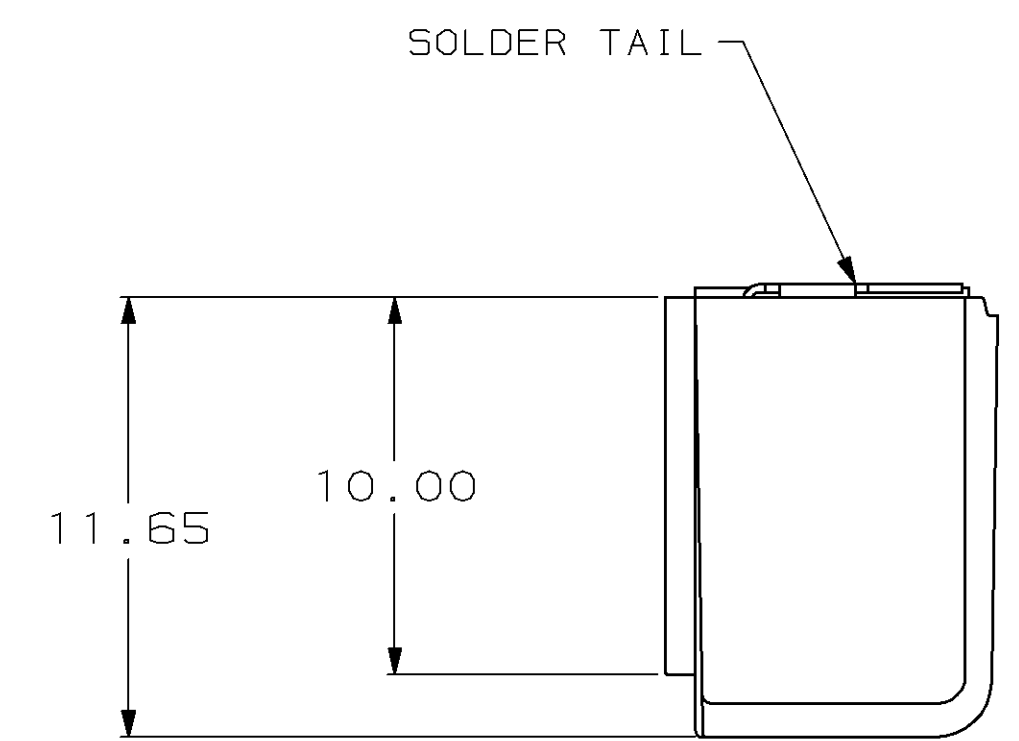


SUGGESTED CAVITY

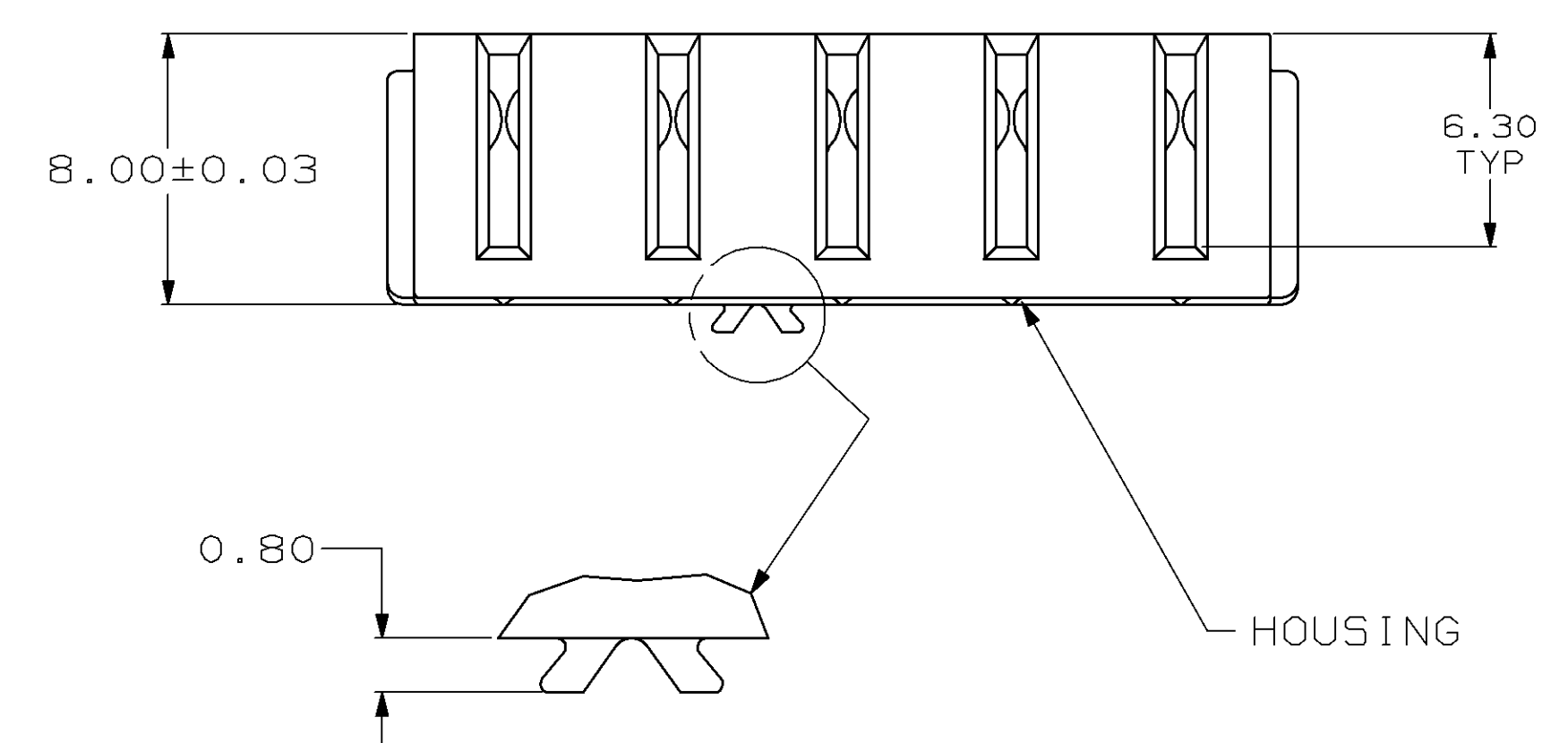
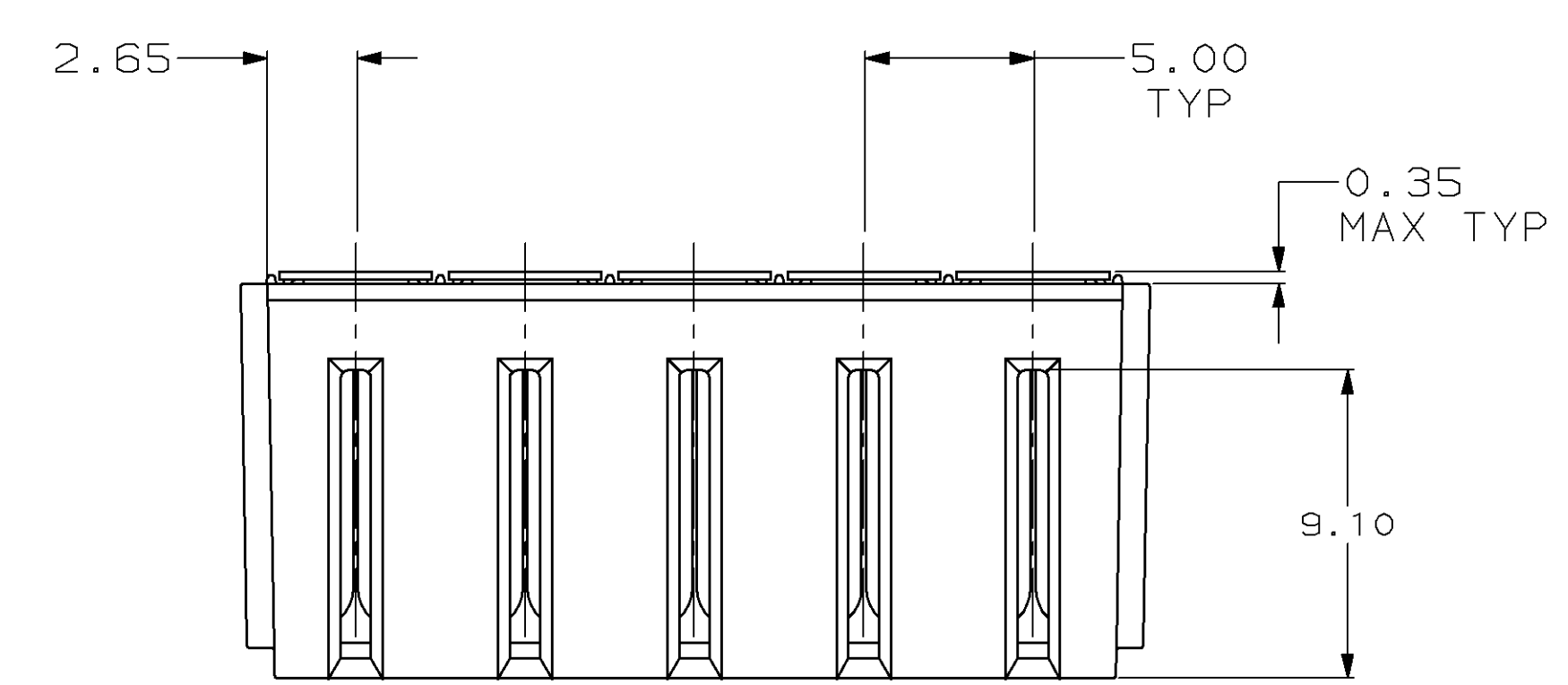
- ① HOUSING: POLYPHTHALAMIDE, BLACK.  
CONTACTS: PHOSPHOR BRONZE.
- ② CONTACTS: 1.30 μm MIN TIN-LEAD ON SOLDER TAIL OVER  
1.90 μm MIN NICKEL ALL OVER.



CONTACT  
5 EACH



SOLDER TAIL



HOUSING

SCALE 10:1

146845-1  
PART NUMBER

THIS DRAWING IS A CONTROLLED DOCUMENT.		DMN J. REED 4/28/97	AMP Incorporated Harrisburg, PA 17105-3508	
DIMENSIONS: mm (INCHES)		CHK C. BAKER 4/28/97	AMP C. BAKER 4/28/97	
TOLERANCES UNLESS OTHERWISE SPECIFIED:		NAME INSERT ASSEMBLY, KEYLESS, 5 POSITION, BATTERY INTERCONNECT		
0 PLC ±	1 PLC ±	PRODUCT SPEC 108-1501		
2 PLC ±0.10	3 PLC ±	APPLICATION SPEC		
4 PLC ±	ANGLES ±2°	SIZE A1	CAGE CODE 00779	DRAWING NO C-146845
MATERIAL	FINISH	WEIGHT -	SCALE 5:1	SHEET 1 OF 1
CUSTOMER DRAWING		REV B		