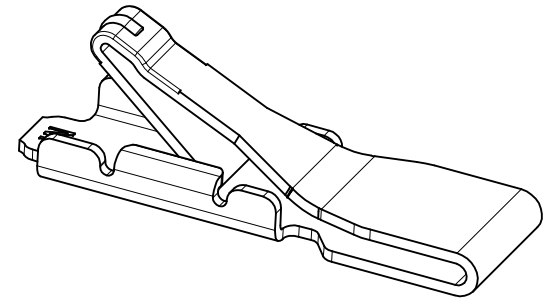
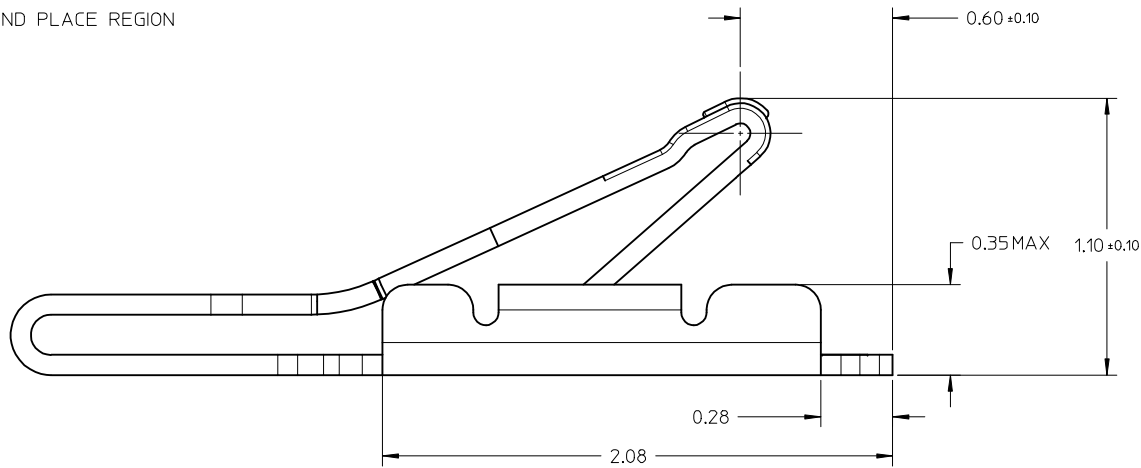


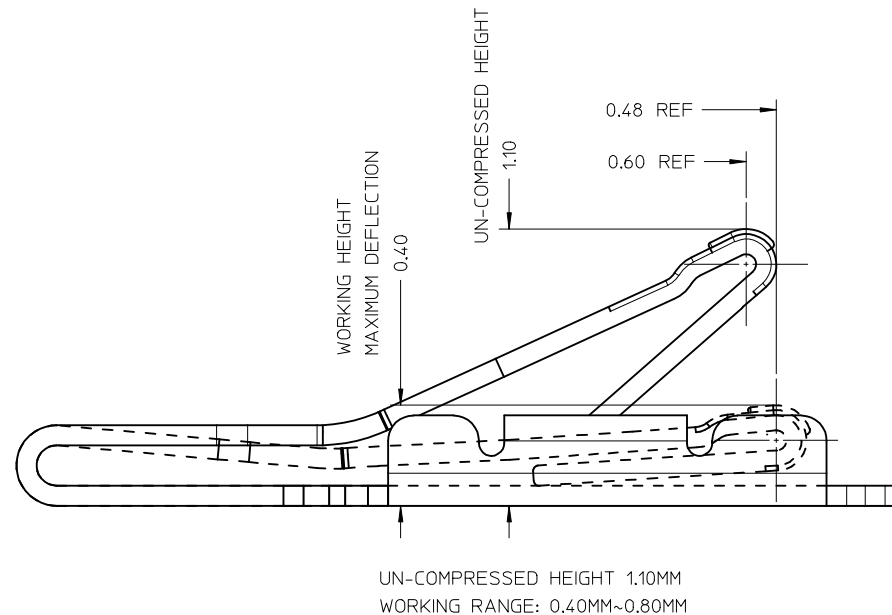
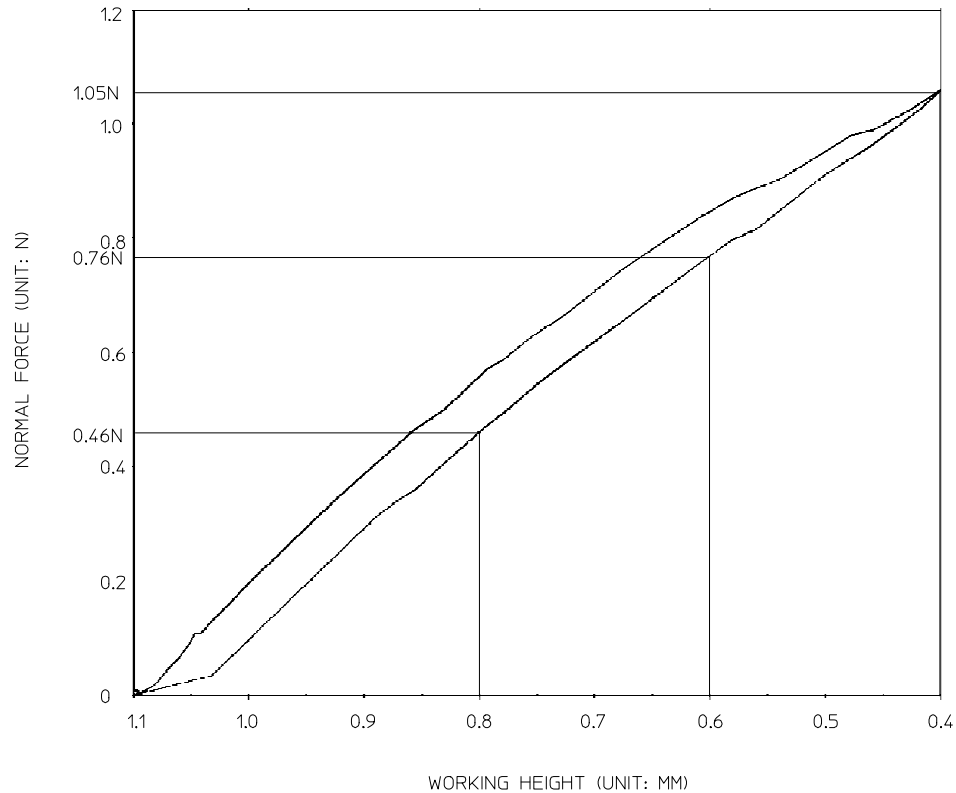
P/N:	PLATING
1053860003	NI UNDER PLATING OVERALL: 2µm MINIMUM SOLDERING AREA: GOLD FLASH CONTACT AREA: 0.25µm Au MINIMUM
1053860004	NI UNDER PLATING OVERALL: 2µm MINIMUM SOLDERING AREA: GOLD FLASH CONTACT AREA: 1.0µm Au MINIMUM



NOTES:

- MATERIAL: STAINLESS STEEL, THICKNESS=0.08mm
- FINISH:
SEE TABLE
- DURABILITY AND NORMAL FORCE:
DURABILITY: 1500 CYCLES
NORMAL FORCE: 0.25N MINIMUM BEFORE DURABILITY
0.20N MINIMUM AFTER DURABILITY
- LOW LEVEL CONTACT RESISTANCE: 50 MILLIOHMS MAXIMUM
- COMPONENT UN-COMPRESSED HEIGHT: 1.10MM
COMPONENT WORKING RANGE: 0.40MM~0.80MM

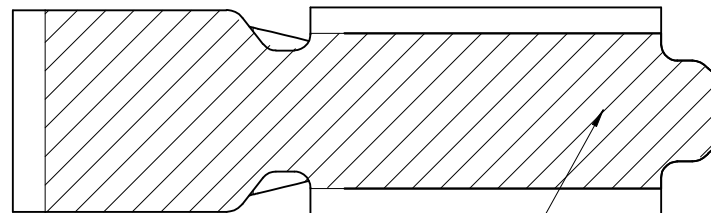
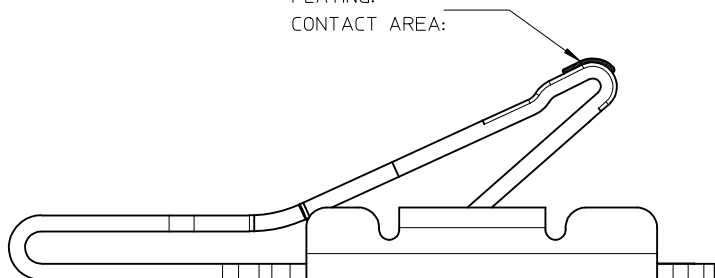
OFFICIAL VERSION EC NO: SH2016-0120 DRW:RL109 2015/11/11 CHKD: APPR:RZHANG 2015/12/03	QUALITY SYMBOLS	GENERAL TOLERANCES (UNLESS SPECIFIED)		DIMENSION STYLE	SCALE	DESIGN UNITS	THIRD ANGLE PROJECTION
	▽ _A =0	mm	INCH	MM ONLY	50:1	METRIC	☉
	▽ _G =0	4 PLACES ± --- ± ---	DRAWN BY	DATE	TITLE		
	▽ _F =0	3 PLACES ± --- ± ---	RL109	2014/05/07	RF SPRING WORKING RANGE 0.40MM~0.80MM		
	2 PLACES ± 0.15 ± ---	CHECKED BY	DATE	molex			
	1 PLACE ± 0.20 ± ---	APPROVED BY	DATE				
	0 PLACE ± --- ± ---	RZHANG	2015/03/16	DOCUMENT NO.		SHEET NO.	
	ANGULAR ± 3 °	MATERIAL NO.		SD-105386-002		1 OF 4	
	DRAFT WHERE APPLICABLE MUST REMAIN WITHIN DIMENSIONS	SEE TABLE		THIS DRAWING CONTAINS INFORMATION THAT IS PROPRIETARY TO MOLEX INCORPORATED AND SHOULD NOT BE USED WITHOUT WRITTEN PERMISSION			
		SIZE					
		A3					



NORMAL FORCE: 0.46N AT 0.80 MM WORKING HEIGHT (MINIMUM DEFLECTION)
 NORMAL FORCE: 0.76N AT 0.60 MM WORKING HEIGHT (NORMAL DEFLECTION)
 NORMAL FORCE: 1.05N AT 0.40 MM WORKING HEIGHT (MAXIMUM DEFLECTION)

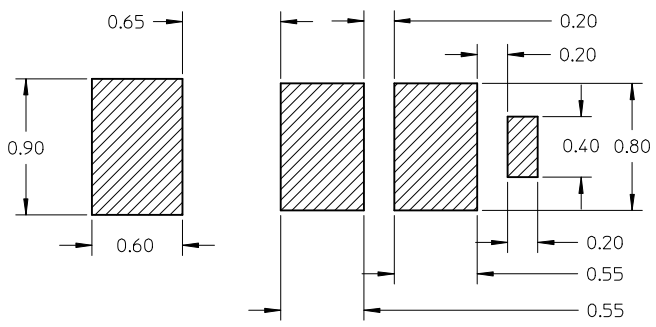
OFFICIAL VERSION EC NO: SH2016-0120 DRW:RL109 CHKD: APPR:RZHANG 2015/11/11 2015/12/03	QUALITY SYMBOLS	GENERAL TOLERANCES (UNLESS SPECIFIED)	DIMENSION STYLE	SCALE	DESIGN UNITS	THIRD ANGLE PROJECTION																		
	$F_A=0$ $F_G=0$ $F_P=0$	<table border="1"> <thead> <tr> <th></th> <th>mm</th> <th>INCH</th> </tr> </thead> <tbody> <tr> <td>4 PLACES</td> <td>± ---</td> <td>± ---</td> </tr> <tr> <td>3 PLACES</td> <td>± ---</td> <td>± ---</td> </tr> <tr> <td>2 PLACES</td> <td>± 0.15</td> <td>± ---</td> </tr> <tr> <td>1 PLACE</td> <td>± 0.20</td> <td>± ---</td> </tr> <tr> <td>0 PLACE</td> <td>± ---</td> <td>± ---</td> </tr> </tbody> </table>		mm	INCH	4 PLACES	± ---	± ---	3 PLACES	± ---	± ---	2 PLACES	± 0.15	± ---	1 PLACE	± 0.20	± ---	0 PLACE	± ---	± ---	MM ONLY	50:1	METRIC	
		mm	INCH																					
	4 PLACES	± ---	± ---																					
3 PLACES	± ---	± ---																						
2 PLACES	± 0.15	± ---																						
1 PLACE	± 0.20	± ---																						
0 PLACE	± ---	± ---																						
	<table border="1"> <thead> <tr> <th></th> <th>mm</th> <th>INCH</th> </tr> </thead> <tbody> <tr> <td>4 PLACES</td> <td>± ---</td> <td>± ---</td> </tr> <tr> <td>3 PLACES</td> <td>± ---</td> <td>± ---</td> </tr> <tr> <td>2 PLACES</td> <td>± 0.15</td> <td>± ---</td> </tr> <tr> <td>1 PLACE</td> <td>± 0.20</td> <td>± ---</td> </tr> <tr> <td>0 PLACE</td> <td>± ---</td> <td>± ---</td> </tr> </tbody> </table>		mm	INCH	4 PLACES	± ---	± ---	3 PLACES	± ---	± ---	2 PLACES	± 0.15	± ---	1 PLACE	± 0.20	± ---	0 PLACE	± ---	± ---	DRAWN BY: RL109 DATE: 2014/05/07 CHECKED BY: DATE: APPROVED BY: RZHANG DATE: 2015/03/16	TITLE: RF SPRING WORKING RANGE 0.40MM~0.80MM molex			
	mm	INCH																						
4 PLACES	± ---	± ---																						
3 PLACES	± ---	± ---																						
2 PLACES	± 0.15	± ---																						
1 PLACE	± 0.20	± ---																						
0 PLACE	± ---	± ---																						
	ANGULAR ± 3 ° DRAFT WHERE APPLICABLE MUST REMAIN WITHIN DIMENSIONS	SEE TABLE	MATERIAL NO.	DOCUMENT NO. SD-105386-002	SHEET NO. 2 OF 4																			

OPTION 1: 0.25μm Au MINIMUM FOR 1053860003
 OPTION 2: 1.00μm Au MINIMUM FOR 1053860004
 PLATING:
 CONTACT AREA:

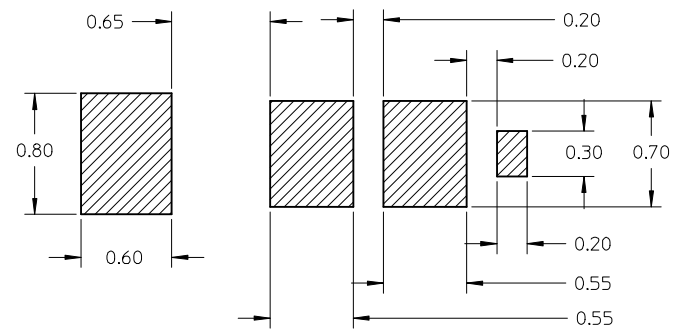


PLATING
 SOLDERING AREA: GOLD FLASH

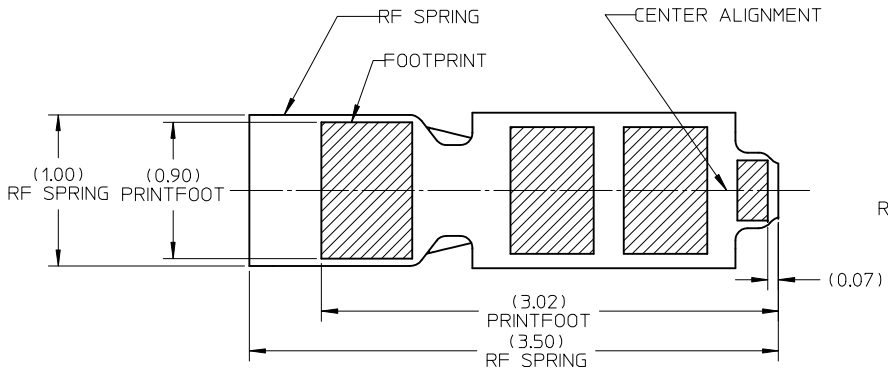
OFFICIAL VERSION EC NO: SH2016-0120 DRWNR: RL109 CHKD: APPR: RZHANG 2015/11/11 2015/12/03	DESCRIPTION REV	QUALITY SYMBOLS	GENERAL TOLERANCES (UNLESS SPECIFIED)		DIMENSION STYLE	SCALE	DESIGN UNITS	THIRD ANGLE PROJECTION	
		$F_A=0$ $F_G=0$ $F_P=0$	mm	INCH	MM ONLY	50:1	METRIC		
		4 PLACES ± --- ± --- 3 PLACES ± --- ± --- 2 PLACES ± 0.15 ± --- 1 PLACE ± 0.20 ± --- 0 PLACE ± --- ± ---	DRAWN BY: RL109 DATE: 2014/05/07 CHECKED BY: _____ DATE: _____ APPROVED BY: RZHANG DATE: 2015/03/16		TITLE: RF SPRING WORKING RANGE 0.40MM~0.80MM				
		ANGULAR ± 3 ° DRAFT WHERE APPLICABLE MUST REMAIN WITHIN DIMENSIONS	MATERIAL NO. SEE TABLE		DOCUMENT NO. SD-105386-002	SHEET NO. 3 OF 4			



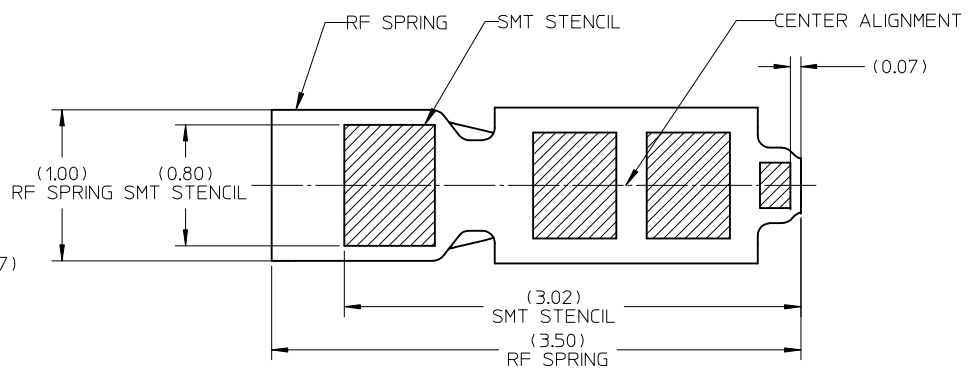
RECOMMENDED FOOTPRINT
(TOLERANCE ±0.05)



SMT STENCIL
PROFILE TOLERANCE: ±0.05
THICKNESS: 0.08MM



RELATIVE LOCATION: FOOTPRINT VS RF SPRING



RELATIVE LOCATION: STENCIL VS RF SPRING

OFFICIAL VERSION EC NO: SH2016-0120 DRW:RL109 CHKD: APPR:RZHANG 2015/11/11 2015/12/03	QUALITY SYMBOLS $F_A=0$ $F_G=0$ $F_P=0$	GENERAL TOLERANCES (UNLESS SPECIFIED)		DIMENSION STYLE MM ONLY	SCALE 50:1	DESIGN UNITS METRIC	THIRD ANGLE PROJECTION		
		4 PLACES ± --- ± ---	3 PLACES ± --- ± ---	DRAWN BY RL109	DATE 2014/05/07	TITLE RF SPRING WORKING RANGE 0.40MM~0.80MM			
		2 PLACES ± 0.15 ± ---	1 PLACE ± 0.20 ± ---	CHECKED BY RZHANG	DATE 2015/03/16	DOCUMENT NO. SD-105386-002			
		0 PLACE ± --- ± ---	ANGULAR ± 3 °	DRAFT WHERE APPLICABLE MUST REMAIN WITHIN DIMENSIONS		MATERIAL NO. SEE TABLE	SHEET NO. 4 OF 4		