

Features

- Very high speed: 45 ns
- Wide voltage range: 2.20 V to 3.60 V
- Ultra low standby power
 - Typical standby current: 1.5 μ A
 - Maximum standby current: 12 μ A
- Ultra low active power
 - Typical active current: 2.2 mA at $f = 1$ MHz
- Easy memory expansion with \overline{CE}_1 , CE_2 and \overline{OE} features
- Automatic power-down when deselected
- CMOS for optimum speed/power
- Offered in Pb-free 48-ball FBGA package. For Pb-free 48-pin TSOP I package, refer to [CY62167EV30](#) data sheet.

Functional Description

The CY62168EV30 is a high performance CMOS static RAM organized as 2 M words by 8-bits. This device features advanced circuit design to provide an ultra low active current. This is ideal for providing More Battery Life™ (MoBL®) in portable applications such as cellular telephones. The device also has an automatic power-down feature that significantly reduces power

consumption by 90% when addresses are not toggling. Placing the device into standby mode reduces power consumption by more than 99% when deselected (Chip Enable 1 (\overline{CE}_1) HIGH or Chip Enable 2 (CE_2) LOW). The input and output pins (I/O_0 through I/O_7) are placed in a high impedance state when: the device is deselected (Chip Enable 1 (\overline{CE}_1) HIGH or Chip Enable 2 (CE_2) LOW), outputs are disabled (\overline{OE} HIGH), or a write operation is in progress (Chip Enable 1 (\overline{CE}_1) LOW and Chip Enable 2 (CE_2) HIGH and WE LOW).

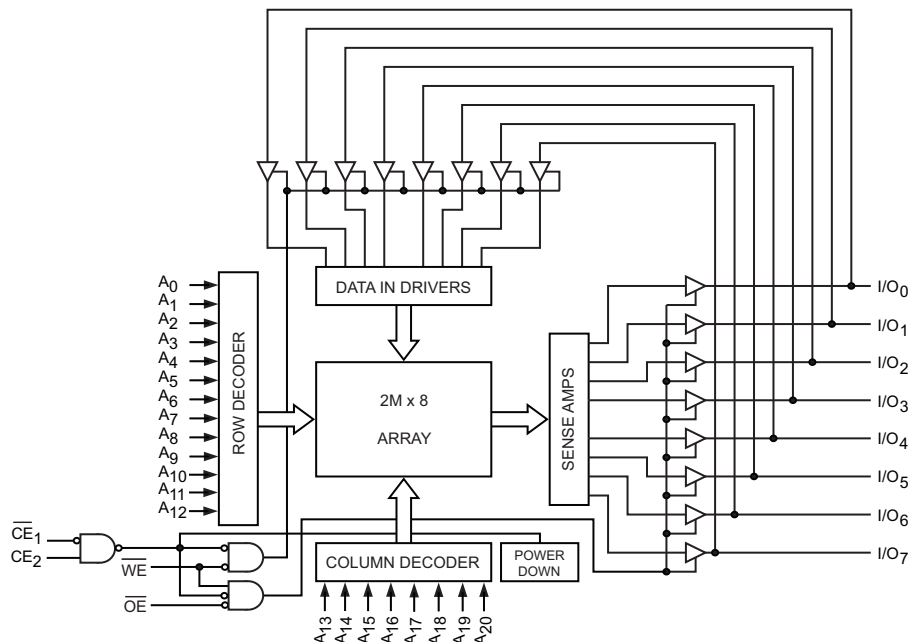
Write to the device by taking Chip Enable 1 (\overline{CE}_1) LOW and Chip Enable 2 (CE_2) HIGH and the Write Enable (WE) input LOW. Data on the eight I/O pins (I/O_0 through I/O_7) is then written into the location specified on the address pins (A_0 through A_{20}).

Read from the device by taking Chip Enable 1 (\overline{CE}_1) and Output Enable (\overline{OE}) LOW and Chip Enable 2 (CE_2) HIGH while forcing Write Enable (WE) HIGH. Under these conditions, the contents of the memory location specified by the address pins will appear on the I/O pins.

The eight input and output pins (I/O_0 through I/O_7) are placed in a high impedance state when the device is deselected (\overline{CE}_1 HIGH or CE_2 LOW), the outputs are disabled (\overline{OE} HIGH), or a write operation is in progress (\overline{CE}_1 LOW and CE_2 HIGH and WE LOW). See the [Truth Table on page 11](#) for a complete description of read and write modes.

For a complete list of related documentation, click [here](#).

Logic Block Diagram

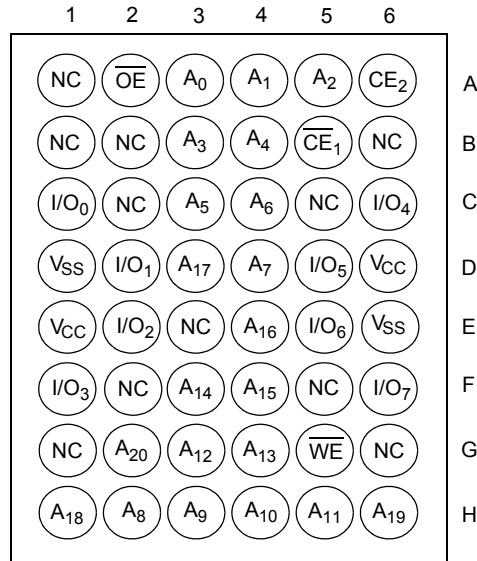


Contents

| | | | |
|---|-----------|--|-----------|
| Pin Configuration | 3 | Ordering Information | 12 |
| Product Portfolio | 3 | Ordering Code Definitions | 12 |
| Maximum Ratings | 4 | Package Diagram | 13 |
| Operating Range | 4 | Acronyms | 14 |
| DC Electrical Characteristics | 4 | Document Conventions | 14 |
| Capacitance | 5 | Units of Measure | 14 |
| Thermal Resistance | 5 | Document History Page | 15 |
| AC Test Loads and Waveforms | 5 | Sales, Solutions, and Legal Information | 17 |
| Data Retention Characteristics | 6 | Worldwide Sales and Design Support | 17 |
| Data Retention Waveform | 6 | Products | 17 |
| Switching Characteristics | 7 | PSoC® Solutions | 17 |
| Switching Waveforms | 8 | Cypress Developer Community | 17 |
| Truth Table | 11 | Technical Support | 17 |

Pin Configuration

Figure 1. 48-ball FBGA pinout (Top View)^[1]



Product Portfolio

| Product | V _{CC} Range (V) | | | Speed (ns) | Power Dissipation | | | | | |
|---------------|---------------------------|--------------------|----------------------|------------|--------------------------------|-----|--------------------|-----|-------------------------------|-----|
| | | | | | Operating I _{CC} (mA) | | | | Standby I _{SB2} (μA) | |
| | f = 1 MHz | | f = f _{max} | | | | | | | |
| | Min | Typ ^[2] | Max | | Typ ^[2] | Max | Typ ^[2] | Max | Typ ^[2] | Max |
| CY62168EV30LL | 2.2 | 3.0 | 3.6 | 45 | 2.2 | 4.0 | 25 | 30 | 1.5 | 12 |

Notes

1. NC pins are not connected on the die.
2. Typical values are included for reference only and are not guaranteed or tested. Typical values are measured at V_{CC} = V_{CC(typ)}, T_A = 25 °C.

Maximum Ratings

Exceeding maximum ratings may shorten the useful life of the device. User guidelines are not tested.

| | |
|--|---------------------------------|
| Storage temperature | -65 °C to +150 °C |
| Ambient temperature with power applied | -55 °C to +125 °C |
| Supply voltage to ground potential [3, 4] | -0.3 V to $V_{CC(max)}$ + 0.3 V |
| DC voltage applied to outputs in high Z state [3, 4] | -0.3 V to $V_{CC(max)}$ + 0.3 V |

| | |
|---|---------------------------------|
| DC input voltage [3, 4] | -0.3 V to $V_{CC(max)}$ + 0.3 V |
| Output current into outputs (LOW) | 20 mA |
| Static discharge voltage (MIL-STD-883, method 3015) | > 2001 V |
| Latch-up current | > 200 mA |

Operating Range

| Range | Ambient Temperature (T_A) [5] | V_{CC} [6] |
|------------|-----------------------------------|----------------|
| Industrial | -40 °C to +85 °C | 2.2 V to 3.6 V |

DC Electrical Characteristics

Over the operating range

| Parameter | Description | Test Conditions | CY62168EV30-45 | | | Unit | |
|---------------|---|---|--|---------|-----|----------------|---------|
| | | | Min | Typ [7] | Max | | |
| V_{OH} | Output HIGH voltage | $2.2 \leq V_{CC} \leq 2.7$ | $I_{OH} = -0.1$ mA | 2.0 | - | - | V |
| | | $2.7 \leq V_{CC} \leq 3.6$ | $I_{OH} = -1.0$ mA | 2.4 | - | - | |
| V_{OL} | Output LOW voltage | $2.2 \leq V_{CC} \leq 2.7$ | $I_{OL} = 0.1$ mA | - | - | 0.4 | V |
| | | $2.7 \leq V_{CC} \leq 3.6$ | $I_{OH} = 2.1$ mA | - | - | 0.4 | |
| V_{IH} | Input HIGH voltage | $2.2 \leq V_{CC} \leq 2.7$ | | 1.8 | - | $V_{CC} + 0.3$ | V |
| | | $2.7 \leq V_{CC} \leq 3.6$ | | 2.2 | - | $V_{CC} + 0.3$ | |
| V_{IL} | Input LOW voltage | $2.2 \leq V_{CC} \leq 2.7$ | | -0.3 | - | 0.6 | V |
| | | $2.7 \leq V_{CC} \leq 3.6$ | | -0.3 | - | 0.8 | |
| I_{IX} | Input leakage current | $GND \leq V_I \leq V_{CC}$ | | -1 | - | +1 | μ A |
| I_{OZ} | Output leakage current | $GND \leq V_O \leq V_{CC}$, Output disabled | | -1 | - | +1 | μ A |
| I_{CC} | V_{CC} operating supply current | $f = f_{MAX} = 1/t_{RC}$ | $V_{CC} = 3.6$ V, $I_{OUT} = 0$ mA, CMOS level | - | 25 | 30 | mA |
| | | $f = 1$ MHz | | - | 2.2 | 4.0 | |
| I_{SB1} [8] | Automatic CE power-down current – CMOS inputs | $\overline{CE}_1 \geq V_{CC} - 0.2$ V or $CE_2 \leq 0.2$ V, $V_{IN} \geq V_{CC} - 0.2$ V, $V_{IN} \leq 0.2$ V, $f = f_{MAX}$ (address and data only), $f = 0$ (OE, \overline{WE}) | | - | 1.5 | 12 | μ A |
| I_{SB2} [8] | Automatic CE power-down current – CMOS inputs | $\overline{CE}_1 \geq V_{CC} - 0.2$ V or $CE_2 \leq 0.2$ V, $V_{IN} \geq V_{CC} - 0.2$ V or $V_{IN} \leq 0.2$ V, $f = 0$, $V_{CC} = 3.6$ V | | - | 1.5 | 12 | μ A |

Notes

- $V_{IL(min)}$ = -2.0 V for pulse durations less than 20 ns.
- $V_{IH(max)}$ = $V_{CC} + 0.75$ V for pulse durations less than 20 ns.
- T_A is the "Instant-On" case temperature.
- Full device AC operation assumes a 100 μ s ramp time from 0 to $V_{CC(min)}$ and 200 μ s wait time after V_{CC} stabilization.
- Typical values are included for reference only and are not guaranteed or tested. Typical values are measured at $V_{CC} = V_{CC(typ)}$, $T_A = 25$ °C.
- Chip enables (\overline{CE}_1 and CE_2) must be at CMOS level to meet the $I_{SB1} / I_{SB2} / I_{CCDR}$ spec. Other inputs can be left floating.

Capacitance

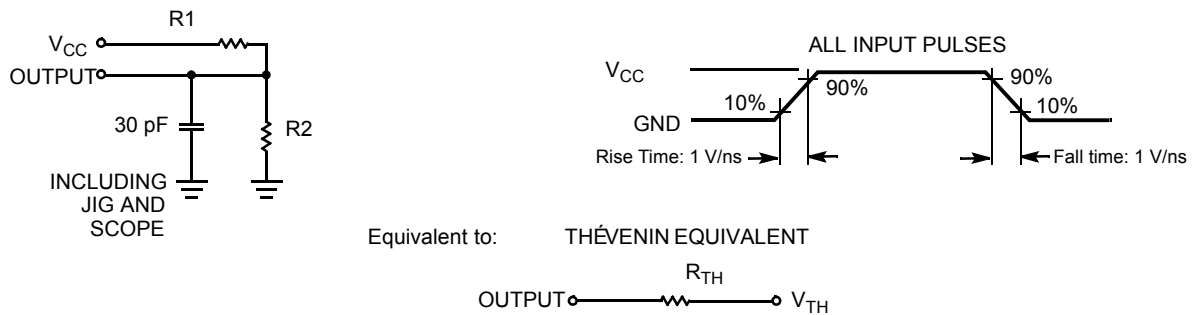
| Parameter ^[9] | Description | Test Conditions | Max | Unit |
|--------------------------|--------------------|---|-----|------|
| C _{IN} | Input capacitance | T _A = 25 °C, f = 1 MHz, V _{CC} = V _{CC(typ)} | 8 | pF |
| C _{OUT} | Output capacitance | | 10 | pF |

Thermal Resistance

| Parameter ^[9] | Description | Test Conditions | 48-ball FBGA | Unit |
|--------------------------|--|---|--------------|------|
| Θ _{JA} | Thermal resistance (junction to ambient) | Still air, soldered on a 3 × 4.5 inch, four-layer printed circuit board | 52.3 | °C/W |
| Θ _{JC} | Thermal resistance (junction to case) | | 7.91 | °C/W |

AC Test Loads and Waveforms

Figure 2. AC Test Loads and Waveforms



| Parameters | 2.5 V (2.2 V to 2.7 V) | 3.0 V (2.7 V to 3.6 V) | Unit |
|-----------------|------------------------|------------------------|------|
| R1 | 16600 | 1103 | Ω |
| R2 | 15400 | 1554 | Ω |
| R _{TH} | 8000 | 645 | Ω |
| V _{TH} | 1.2 | 1.75 | V |

Note

9. Tested initially and after any design or process changes that may affect these parameters.

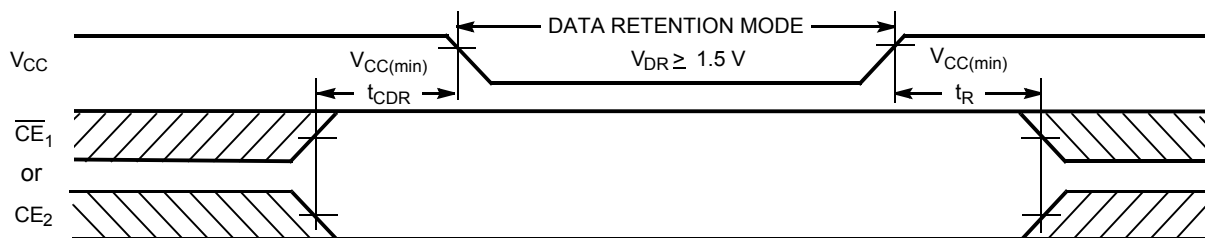
Data Retention Characteristics

Over the Operating Range

| Parameter | Description | Conditions | Min | Typ ^[10] | Max | Unit |
|-----------------------------------|--------------------------------------|---|-----|---------------------|-----|------|
| V _{DR} | V _{CC} for data retention | | 1.5 | – | 3.6 | V |
| I _{CCDR} ^[11] | Data retention current | V _{CC} = 1.5 V CE ₁ ≥ V _{CC} – 0.2 V or CE ₂ ≤ 0.2 V V _{IN} ≥ V _{CC} – 0.2 V or V _{IN} ≤ 0.2 V | – | – | 10 | μA |
| t _{CDR} ^[12] | Chip deselect to data retention time | | 0 | – | – | ns |
| t _R ^[13] | Operation recovery time | | 45 | – | – | ns |

Data Retention Waveform

Figure 3. Data Retention Waveform



Notes

10. Typical values are included for reference only and are not guaranteed or tested. Typical values are measured at V_{CC} = V_{CC}(typ), T_A = 25 °C.
11. Chip enables (CE₁ and CE₂) must be at CMOS level to meet the I_{SB1} / I_{SB2} / I_{CCDR} spec. Other inputs can be left floating.
12. Tested initially and after any design or process changes that may affect these parameters.
13. Full Device AC operation requires linear V_{CC} ramp from V_{DR} to V_{CC}(min) ≥ 100 μs or stable at V_{CC}(min) ≥ 100 μs.

Switching Characteristics

Over the Operating Range

| Parameter [14, 15] | Description | 45 ns | | Unit |
|-----------------------------|---|-------|-----|------|
| | | Min | Max | |
| Read Cycle | | | | |
| t_{RC} | Read cycle time | 45 | – | ns |
| t_{AA} | Address to data valid | – | 45 | ns |
| t_{OHA} | Data hold from address change | 10 | – | ns |
| t_{ACE} | \overline{CE}_1 LOW and CE_2 HIGH to data valid | – | 45 | ns |
| t_{DOE} | \overline{OE} LOW to data valid | – | 22 | ns |
| t_{LZOE} | \overline{OE} LOW to low Z [16] | 5 | – | ns |
| t_{HZOE} | \overline{OE} HIGH to high Z [16, 17] | – | 18 | ns |
| t_{LZCE} | \overline{CE}_1 LOW and CE_2 HIGH to low Z [16] | 10 | – | ns |
| t_{HZCE} | \overline{CE}_1 HIGH or CE_2 LOW to high Z [16, 17] | – | 18 | ns |
| t_{PU} | \overline{CE}_1 LOW and CE_2 HIGH to power-up | 0 | – | ns |
| t_{PD} | \overline{CE}_1 HIGH or CE_2 LOW to power-down | – | 45 | ns |
| Write Cycle [18, 19] | | | | |
| t_{WC} | Write cycle time | 45 | – | ns |
| t_{SCE} | \overline{CE}_1 LOW and CE_2 HIGH to write end | 35 | – | ns |
| t_{AW} | Address setup to write end | 35 | – | ns |
| t_{HA} | Address hold from write end | 0 | – | ns |
| t_{SA} | Address setup to write start | 0 | – | ns |
| t_{PWE} | \overline{WE} pulse width | 35 | – | ns |
| t_{SD} | Data setup to write end | 25 | – | ns |
| t_{HD} | Data hold from write end | 0 | – | ns |
| t_{HZWE} | \overline{WE} LOW to high Z [16, 17] | – | 18 | ns |
| t_{LZWE} | \overline{WE} HIGH to low Z [16] | 10 | – | ns |

Notes

14. In an earlier revision of this device, under a specific application condition, READ and WRITE operations were limited to switching of the chip enable signal as described in the Application Note AN66311. However, the issue has been fixed and in production now, and hence, this Application Note is no longer applicable. It is available for download on our website as it contains information on the date code of the parts, beyond which the fix has been in production.
15. Test conditions for all parameters other than tri-state parameters assume signal transition time of 3 ns or less (1 V/ns), timing reference levels of $V_{CC(typ)}/2$, input pulse levels of 0 to $V_{CC(typ)}$, and output loading of the specified I_{OL}/I_{OH} as shown in Figure 2 on page 5.
16. At any given temperature and voltage condition, t_{HZCE} is less than t_{LZCE} , t_{HZOE} is less than t_{LZOE} , and t_{HZWE} is less than t_{LZWE} for any given device.
17. t_{HZOE} , t_{HZCE} , and t_{HZWE} transitions are measured when the outputs enter a high impedance state.
18. The internal write time of the memory is defined by the overlap of \overline{WE} , $\overline{CE}_1 = V_{IL}$, and $CE_2 = V_{IH}$. All signals must be ACTIVE to initiate a write and any of these signals can terminate a write by going INACTIVE. The data input setup and hold timing should be referenced to the edge of the signal that terminates the write.
19. The minimum write cycle pulse width for Write Cycle No. 3 (\overline{WE} Controlled, \overline{OE} LOW) should be equal to sum of t_{SD} and t_{HZWE} .

Switching Waveforms

Figure 4. Read Cycle No. 1 (Address Transition Controlled) [20, 21]

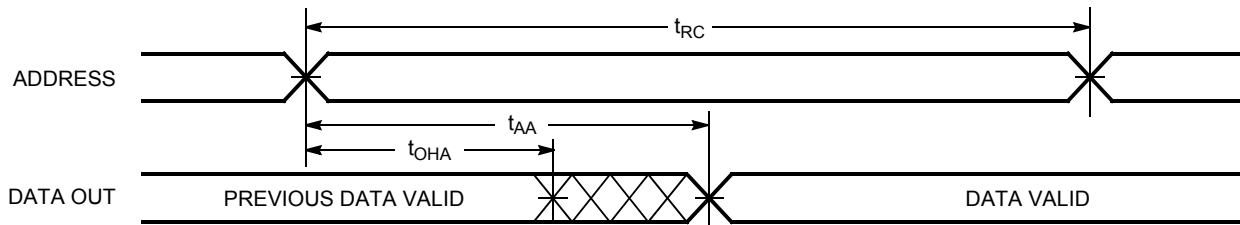
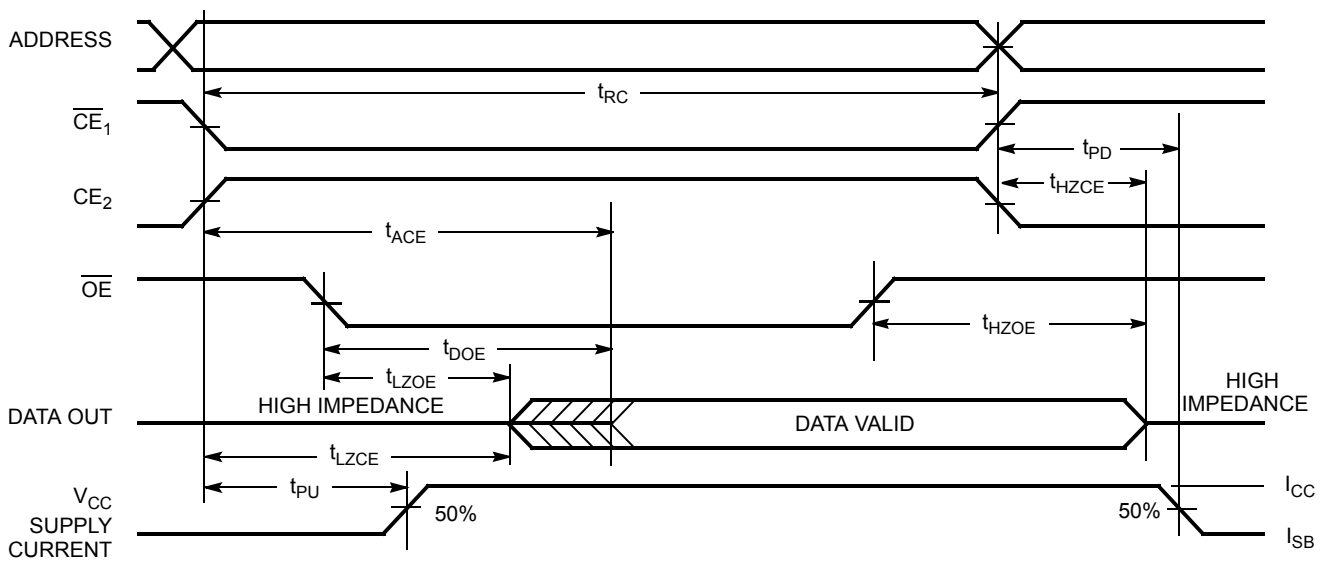


Figure 5. Read Cycle No. 2 (\overline{OE} Controlled) [21, 22]



Notes

- 20. The device is continuously selected. \overline{OE} , $\overline{CE}_1 = V_{IL}$, and $CE_2 = V_{IH}$.
- 21. WE is HIGH for read cycle.
- 22. Address valid before or similar to \overline{CE}_1 transition LOW and CE_2 transition HIGH.

Switching Waveforms (continued)

Figure 6. Write Cycle No. 1 (\overline{WE} Controlled) [23, 24, 25]

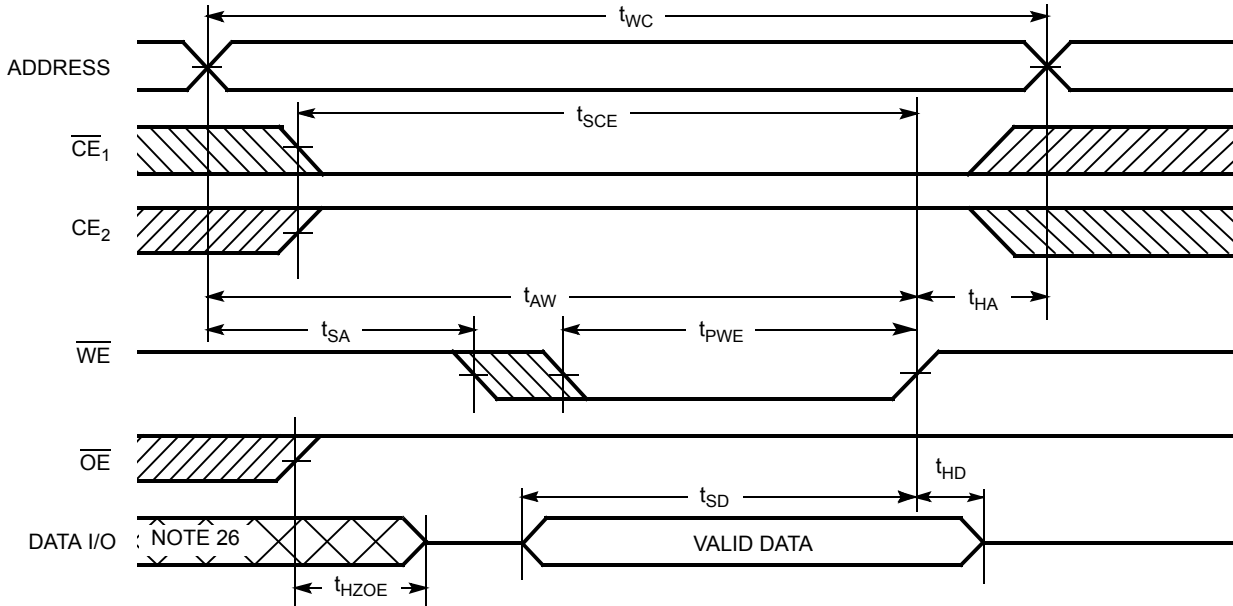
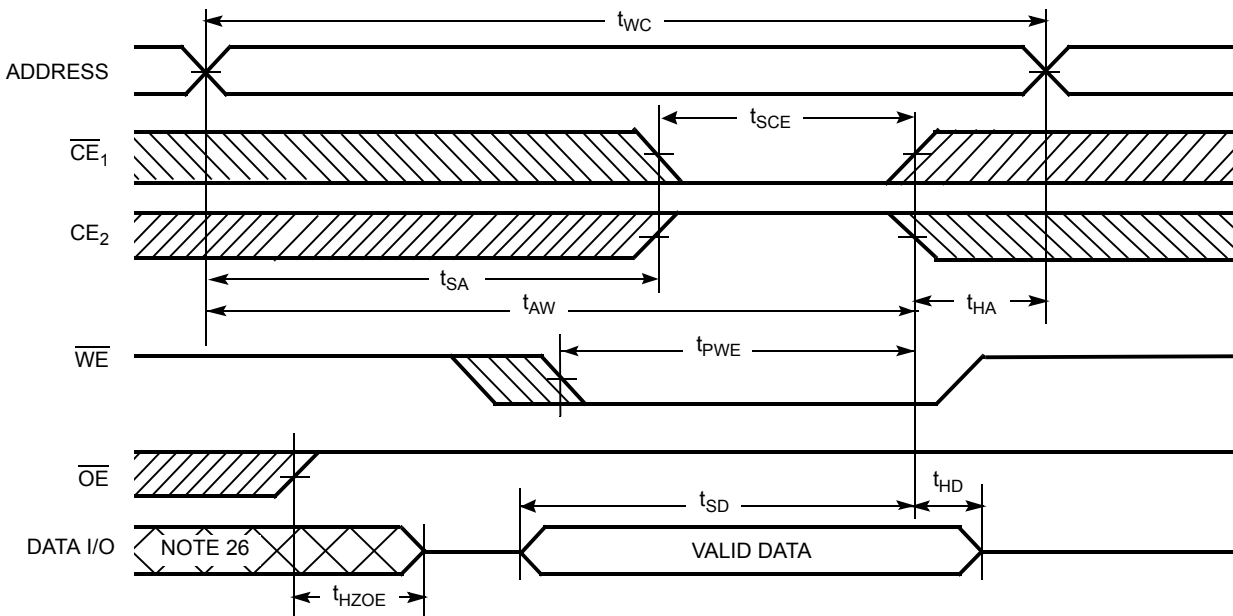


Figure 7. Write Cycle No. 2 (\overline{CE}_1 or CE_2 Controlled) [23, 24, 25]

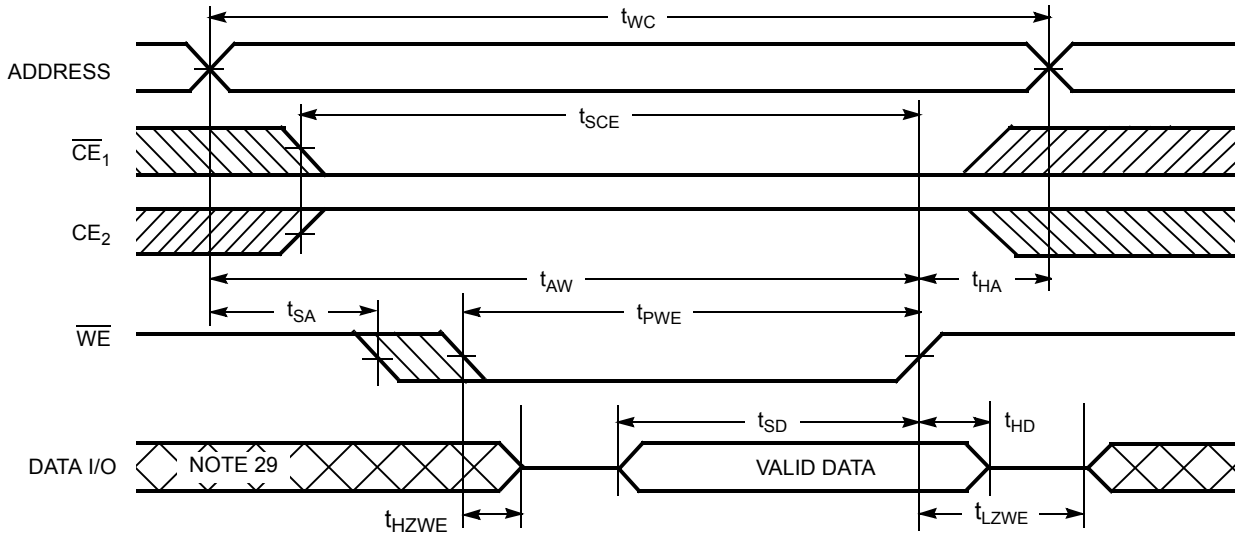


Notes

- 23. The internal write time of the memory is defined by the overlap of \overline{WE} , $\overline{CE}_1 = V_{IL}$, and $CE_2 = V_{IH}$. All signals must be ACTIVE to initiate a write and any of these signals can terminate a write by going INACTIVE. The data input setup and hold timing should be referenced to the edge of the signal that terminates the write.
- 24. Data I/O is high impedance if $OE = V_{IH}$.
- 25. If \overline{CE}_1 goes HIGH and CE_2 goes LOW simultaneously with $\overline{WE} = V_{IH}$, the output remains in a high impedance state.
- 26. During this period the I/Os are in output state. Do not apply input signals.

Switching Waveforms (continued)

Figure 8. Write Cycle No. 3 (\overline{WE} Controlled, \overline{OE} LOW) [27, 28]



Notes

- 27. If \overline{CE}_1 goes HIGH and CE_2 goes LOW simultaneously with $\overline{WE} = V_{IH}$, the output remains in a high impedance state.
- 28. The minimum write cycle pulse width should be equal to sum of t_{SD} and t_{HZWE} .
- 29. During this period the I/Os are in output state. Do not apply input signals.

Truth Table

| \overline{CE}_1 | CE_2 | \overline{WE} | \overline{OE} | I/O | Mode | Power |
|-------------------|-------------------|-----------------|-----------------|--|---------------------|----------------------|
| H | X ^[30] | X | X | High Z | Deselect/power-down | Standby (I_{SB}) |
| X ^[30] | L | X | X | High Z | Deselect/power-down | Standby (I_{SB}) |
| L | H | H | L | Data out (I/O ₀ –I/O ₇) | Read | Active (I_{CC}) |
| L | H | H | H | High Z | Output disabled | Active (I_{CC}) |
| L | H | L | X | Data in (I/O ₀ –I/O ₇) | Write | Active (I_{CC}) |

Note

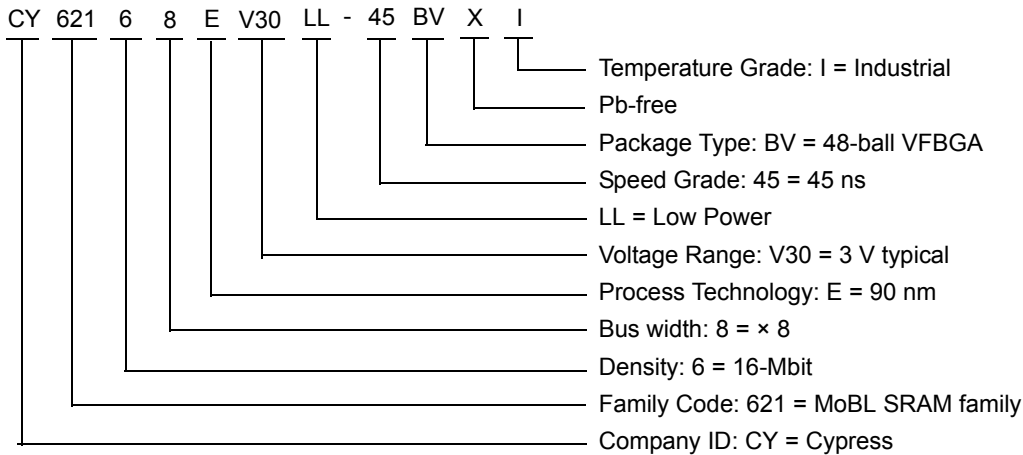
³⁰. The 'X' (Do not care) state for the chip enables in the truth table refers to the logic state (either HIGH or LOW). Intermediate voltage levels on these pins is not permitted.

Ordering Information

The below table lists the CY62168EV30 MoBL key package features and ordering codes. The table contains only the parts that are currently available. If you do not see what you are looking for, contact your local sales representative. For more information, visit the Cypress website at www.cypress.com and refer to the product summary page at <http://www.cypress.com/products>.

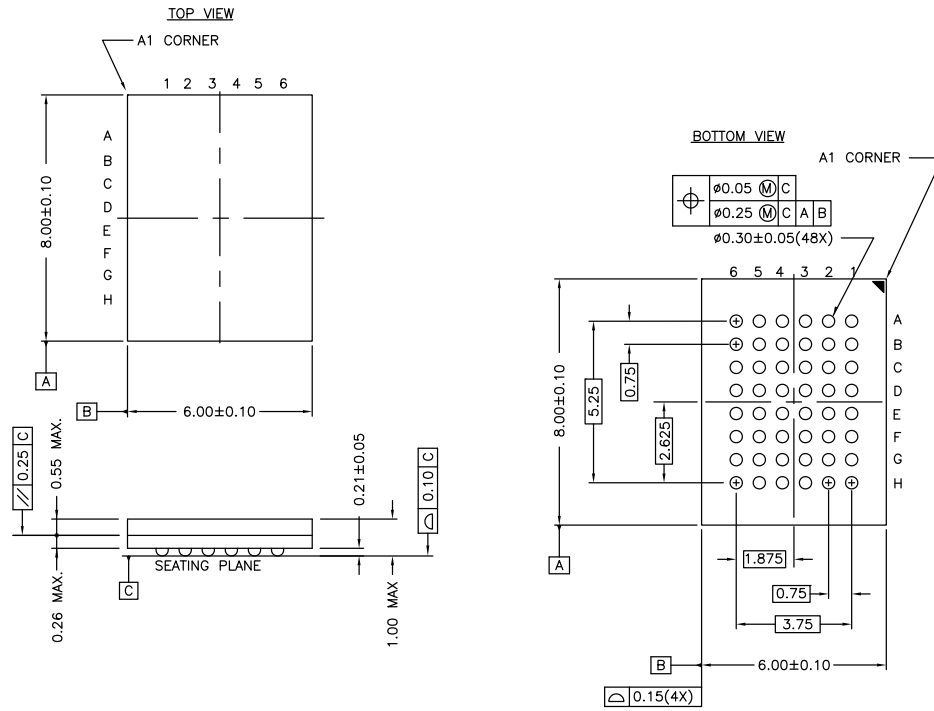
| Speed (ns) | Ordering Code | Package Diagram | Package Type | Operating Range |
|------------|----------------------|-----------------|-------------------------|-----------------|
| 45 | CY62168EV30LL-45BVXI | 51-85150 | 48-ball VFBGA (Pb-free) | Industrial |

Ordering Code Definitions



Package Diagram

Figure 9. 48-ball VFBGA (6 × 8 × 1 mm) BV48/BZ48 Package Outline, 51-85150



NOTE:
 PACKAGE WEIGHT: See Cypress Package Material Declaration Datasheet (PMDD) posted on the Cypress web.

51-85150 *H

Acronyms

| Acronym | Description |
|-----------------|---|
| \overline{CE} | Chip Enable |
| CMOS | Complementary Metal Oxide Semiconductor |
| FBGA | Fine-Pitch Ball Grid Array |
| I/O | Input/Output |
| \overline{OE} | Output Enable |
| SRAM | Static Random Access Memory |
| TSOP | Thin Small Outline Package |
| VFBGA | Very Fine-Pitch Ball Grid Array |
| \overline{WE} | Write Enable |

Document Conventions

Units of Measure

| Symbol | Unit of Measure |
|--------|-----------------|
| °C | degree Celsius |
| MHz | megahertz |
| μA | microampere |
| μs | microsecond |
| mA | milliampere |
| mm | millimeter |
| ns | nanosecond |
| Ω | ohm |
| % | percent |
| pF | picofarad |
| V | volt |
| W | watt |

Document History Page

| Document Title: CY62168EV30 MoBL [®] , 16-Mbit (2 M × 8) Static RAM | | | | |
|--|---------|-----------------|------------|---|
| Document Number: 001-07721 | | | | |
| Rev. | ECN No. | Orig. of Change | Issue Date | Description of Change |
| ** | 457686 | NXR | See ECN | New data sheet. |
| *A | 464509 | NXR | See ECN | Removed TSOP I package related information in all instances across the document. Updated Features : Added Note “For 48-pin TSOP I pin configuration and ordering information, please refer to CY62167EV30 Data sheet.” and referred the same note in 48-pin TSOP I package. Updated DC Electrical Characteristics : Changed typical value of I _{CC} parameter from 15 mA to 22 mA corresponding to Test Condition “f = f _{max} ”. Changed maximum value of I _{CC} parameter from 40 mA to 25 mA corresponding to Test Condition “f = f _{max} ”. Changed typical value of I _{CC} parameter from 2 mA to 2.2 mA corresponding to Test Condition “f = 1 MHz”. Changed typical value of I _{SB2} parameter from 1.3 μA to 1.5 μA. Updated Data Retention Characteristics : Changed maximum value of I _{CCDR} parameter from 8.5 μA to 8 μA. Updated Ordering Information (Updated part numbers). |
| *B | 1138883 | VKN | See ECN | Changed status from Preliminary to Final. Updated Features : Removed Note “For 48-pin TSOP I pin configuration and ordering information, please refer to CY62167EV30 Data sheet.” and its reference. Added “For Pb-free 48-pin TSOP I package, refer to CY62167EV30 data sheet.” in the last bullet point. Updated DC Electrical Characteristics : Changed typical value of I _{CC} parameter from 22 mA to 25 mA corresponding to Test Condition “f = f _{max} ”. Changed maximum value of I _{CC} parameter from 25 mA to 30 mA corresponding to Test Condition “f = f _{max} ”. Changed maximum value of I _{CC} parameter from 2.8 mA to 4.0 mA corresponding to Test Condition “f = 1 MHz”. Changed maximum value of I _{SB1} and I _{SB2} parameters from 8.5 μA to 12 μA. Added Note 8 and referred the same note in I _{SB1} and I _{SB2} parameters. Updated Data Retention Characteristics : Changed maximum value of I _{CCDR} parameter from 8 μA to 10 μA. Added Note 11 and referred the same note in I _{CCDR} parameter. |
| *C | 2934385 | VKN | 06/03/10 | Updated Functional Description : Corrected typo in the section. Updated Operating Range : Updated Note 6 (Changed wait time after VCC stabilization from 100 μs to 200 μs). Updated Truth Table : Added Note 30 and referred the same note in “ \overline{CE}_1 ” column and “CE ₂ ” column. Updated Package Diagram . Updated to new template. |
| *D | 3279426 | RAME | 06/10/2011 | Updated Functional Description : Removed the Note “For best practice recommendations, refer to the Cypress application note AN1064, SRAM System Guidelines.” in page 1 and its reference. Updated Package Diagram . Updated to new template. |

Document History Page (continued)

| Document Title: CY62168EV30 MoBL®, 16-Mbit (2 M × 8) Static RAM Document Number: 001-07721 | | | | |
|---|---------|-----------------|------------|---|
| Rev. | ECN No. | Orig. of Change | Issue Date | Description of Change |
| *E | 4100078 | VINI | 08/20/2013 | Updated Switching Characteristics : Added Note 14 and referred the same note in "Parameter" column. Updated Package Diagram : spec 51-85150 – Changed revision from *F to *H. Updated to new template. |
| *F | 4126351 | NILE | 09/17/2013 | Updated Maximum Ratings : Updated Note 3. |
| *G | 4434949 | VINI | 07/09/2014 | Updated Switching Characteristics : Added Note 19 and referred the same note in "Write Cycle". Updated Switching Waveforms : Added Note 28 and referred the same note in Figure 8 . Completing Sunset Review. |
| *H | 4576406 | VINI | 01/16/2015 | Updated Functional Description : Added "For a complete list of related documentation, click here ." at the end. Updated to new template. |
| *I | 4841338 | VINI | 07/20/2015 | Updated Maximum Ratings : Referred Notes 3, 4 in "Supply Voltage to Ground Potential". Updated Thermal Resistance : Replaced "two-layer" with "four-layer" in "Test Conditions" column. Changed value of θ_{JA} parameter from 55 °C/W to 52.3 °C/W corresponding to 48-ball FBGA package. Changed value of θ_{JC} parameter from 16 °C/W to 7.91 °C/W corresponding to 48-ball FBGA package. Completing Sunset Review. |

Sales, Solutions, and Legal Information

Worldwide Sales and Design Support

Cypress maintains a worldwide network of offices, solution centers, manufacturer's representatives, and distributors. To find the office closest to you, visit us at [Cypress Locations](#).

Products

| | |
|--|--|
| Automotive | cypress.com/go/automotive |
| Clocks & Buffers | cypress.com/go/clocks |
| Interface | cypress.com/go/interface |
| Lighting & Power Control | cypress.com/go/powerpsoc |
| Memory | cypress.com/go/memory |
| PSoC | cypress.com/go/psoc |
| Touch Sensing | cypress.com/go/touch |
| USB Controllers | cypress.com/go/USB |
| Wireless/RF | cypress.com/go/wireless |

PSoC[®] Solutions

psoc.cypress.com/solutions
[PSoC 1](#) | [PSoC 3](#) | [PSoC 4](#) | [PSoC 5LP](#)

Cypress Developer Community

[Community](#) | [Forums](#) | [Blogs](#) | [Video](#) | [Training](#)

Technical Support

cypress.com/go/support

© Cypress Semiconductor Corporation, 2006-2015. The information contained herein is subject to change without notice. Cypress Semiconductor Corporation assumes no responsibility for the use of any circuitry other than circuitry embodied in a Cypress product. Nor does it convey or imply any license under patent or other rights. Cypress products are not warranted nor intended to be used for medical, life support, life saving, critical control or safety applications, unless pursuant to an express written agreement with Cypress. Furthermore, Cypress does not authorize its products for use as critical components in life-support systems where a malfunction or failure may reasonably be expected to result in significant injury to the user. The inclusion of Cypress products in life-support systems application implies that the manufacturer assumes all risk of such use and in doing so indemnifies Cypress against all charges.

Any Source Code (software and/or firmware) is owned by Cypress Semiconductor Corporation (Cypress) and is protected by and subject to worldwide patent protection (United States and foreign), United States copyright laws and international treaty provisions. Cypress hereby grants to licensee a personal, non-exclusive, non-transferable license to copy, use, modify, create derivative works of, and compile the Cypress Source Code and derivative works for the sole purpose of creating custom software and or firmware in support of licensee product to be used only in conjunction with a Cypress integrated circuit as specified in the applicable agreement. Any reproduction, modification, translation, compilation, or representation of this Source Code except as specified above is prohibited without the express written permission of Cypress.

Disclaimer: CYPRESS MAKES NO WARRANTY OF ANY KIND, EXPRESS OR IMPLIED, WITH REGARD TO THIS MATERIAL, INCLUDING, BUT NOT LIMITED TO, THE IMPLIED WARRANTIES OF MERCHANTABILITY AND FITNESS FOR A PARTICULAR PURPOSE. Cypress reserves the right to make changes without further notice to the materials described herein. Cypress does not assume any liability arising out of the application or use of any product or circuit described herein. Cypress does not authorize its products for use as critical components in life-support systems where a malfunction or failure may reasonably be expected to result in significant injury to the user. The inclusion of Cypress' product in a life-support systems application implies that the manufacturer assumes all risk of such use and in doing so indemnifies Cypress against all charges.

Use may be limited by and subject to the applicable Cypress software license agreement.