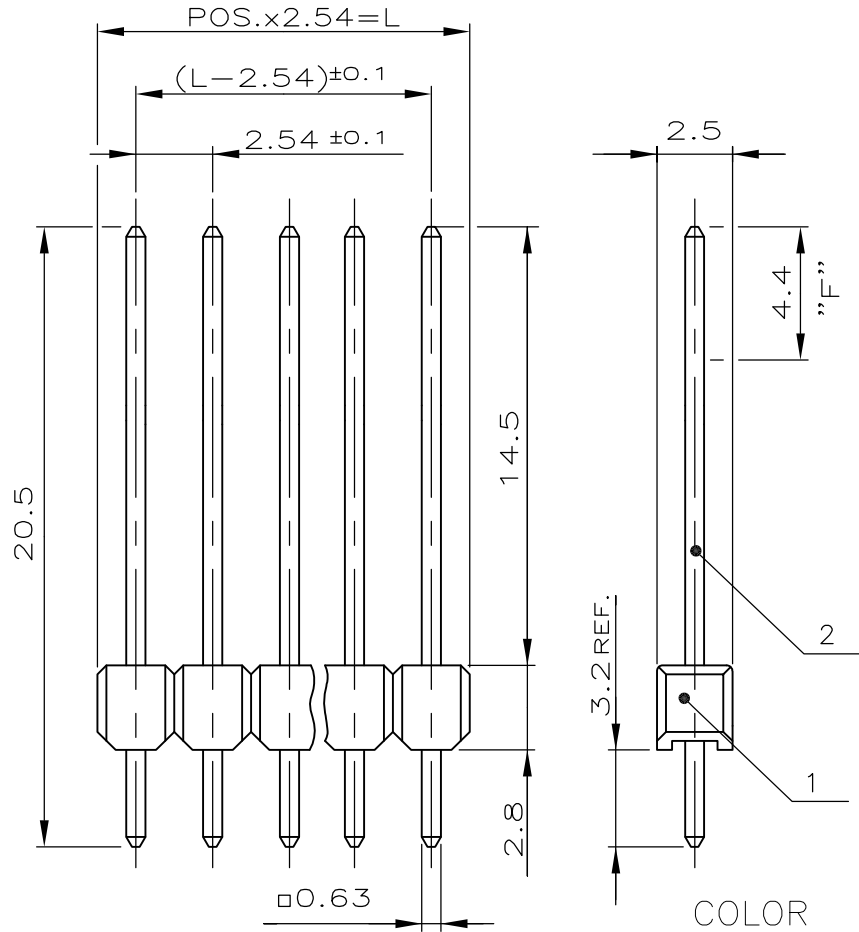


LOC	DIST	REVISIONS					
—	—	P	LTR	DESCRIPTION	DATE	DWN	APVD
			J	CONTACT PIN BASE MATERIAL AND PLATING CHANGE	16JUN2014	KJK	JK

POS.	L±0.4	PART NUMBER
—	—	—
2	5.08	\triangle_2 827 261-2
3	7.62	\triangle_2 —-3
4	10.16	—-4
5	12.70	—-5
6	15.24	\triangle_2 —-6
7	17.78	—-7
8	20.32	—-8
9	22.86	\triangle_2 —-9
10	25.40	\triangle_2 1-0
11	27.94	\triangle_2 1-1
12	30.48	1-2
13	33.02	1-3
14	35.56	1-4
15	38.10	\triangle_2 1-5
16	40.64	1-6
17	43.18	1-7
18	45.72	\triangle_2 1-8
19	48.26	1-9
20	50.80	\triangle_2 2-0
21	53.34	2-1
22	55.88	\triangle_3 2-2
23	58.42	2-3
24	60.96	2-4
25	63.50	2-5
26	66.04	2-6
27	68.58	2-7
28	71.12	2-8
29	73.66	2-9
30	76.20	\triangle_2 3-0
31	78.74	3-1
32	81.28	\triangle_2 3-2
33	83.82	3-3
34	86.36	3-4
35	88.90	3-5
36	91.44	3-6
37	93.98	3-7
38	96.52	3-8
39	99.06	3-9
40	101.60	4-0
41	104.14	4-1
42	106.68	4-2
43	109.22	4-3
44	111.76	4-4
45	114.30	4-5
46	116.84	4-6
47	119.38	4-7
48	121.92	4-8
49	124.46	4-9
50	127.00	5-827 261-0



NOTES:

- \triangle_1 MATING SIDE: MIN. 0.7 μ m PdNi + MIN. 0.1 μ m GOLD FLASH OVER 1.27 μ m Ni AT CONTACT AREA "F"
- SOLDER SIDE: MIN. 2.5 μ m TIN OVER 1.27 μ m NICKEL
- \triangle_2 OBSOLETE
- \triangle_3 OBSOLETE PARTS: OBSOLETE CIS STREAMLINING PER D.RENAUD/D.SINISI

CONTACT PIN	CuZn	\triangle_1	2
PIN HOUSING	PBT	GREEN	1
DESCRIPTION	MATERIAL	COLOR	ITEM NUM

RELEASED FOR PUBLICATION

ALL RIGHTS RESERVED.

By -

COPYRIGHT

THIS DRAWING IS UNPUBLISHED.

DIMENSIONS: mm	DWN	31.08.89	MATERIAL	SEE TABLE	FINISH	—
	CHK	WRULICH				
TOLERANCES UNLESS OTHERWISE SPECIFIED: ±0.2mm	APVD	SCHAAR				
0 PLC ± -	PRODUCT SPEC	108-18012	NAME			
1 PLC ± -	APPLICATION SPEC	—	AMPMODU II PIN HEADER, SINGLE ROW			
2 PLC ± -	WEIGHT	—	SIZE	CAGE CODE	DRAWING NO	RESTRICTED TO
3 PLC ± -			A4	00779	C-827261	—
4 PLC ± -			CUSTOMER DRAWING			SCALE
ANGLES ± -			4:1			SHEET
			1 OF 1			REV
						J