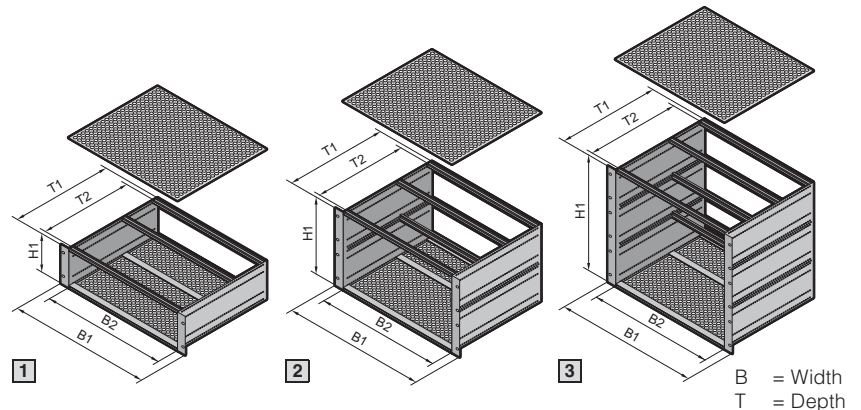


# SUBRACKS

## Ripac VARIO EMC

### Ripac Vario EMC 3 U, 6 U, 9 U



#### Material/surface finish:

Side panels:  
2.5 mm aluminum, clear-chromated  
Flanges and horizontal rails:  
Extruded aluminum section,  
clear-chromated  
Covers: Aluminum, unplated

#### Supply includes:

Flanges, rear trim, side panels, EMC gaskets, covers, mounting blocks, horizontal rails, insulating strips.

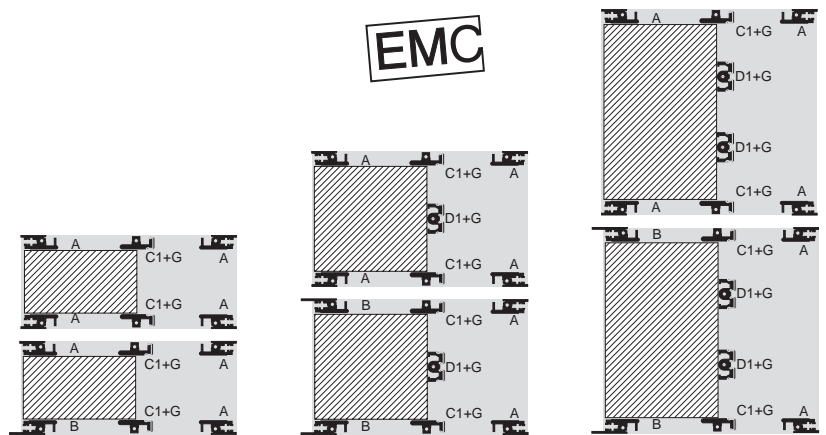
#### Tests:

Shock and vibration tested to:  
IEC 600-68-2-6 test Fc  
IEC 600-68-2-27 test Ea

#### Standards:

Ripac subracks are based on the system dimensions of IEC 60 297-3.

**EMC**



**1**  
Top: for backplane  
Bottom: for backplane/  
front horizontal rail with  
10 mm extension

**2**  
Top: for backplane  
Bottom: for backplane/  
front horizontal rail with  
10 mm extension

**3**  
Top: for backplane  
Bottom: for backplane/  
front horizontal rail with  
10 mm extension

					Order No.					
					<b>1</b>		<b>2</b>		<b>3</b>	
<b>U</b>					<b>3</b>		<b>6</b>		<b>9</b>	
<b>Height (H1) mm</b>					132		265.35		398.70	
B1 mm	B2 HP	Side panel (T1) mm	T2 mm	Max. PCB depth mm	For backplane	For backplane <sup>1)</sup>	For backplane	For backplane <sup>1)</sup>	For backplane	For backplane <sup>1)</sup>
482.6 (19")	84	245	220	160	<b>3684.128</b>	<b>3684.142</b>	<b>3684.156</b>	<b>3684.169</b>	-	-
		285	260	220	<b>3684.129</b>	<b>3684.143</b>	<b>3684.157</b>	<b>3684.170</b>	-	-
		305	280	220	<b>3685.241</b>	<b>3685.243</b>	<b>3685.242</b>	<b>3685.244</b>	-	-
		345	320	280	<b>3684.130</b>	<b>3684.144</b>	<b>3684.158</b>	<b>3684.171</b>	<b>3684.162</b>	<b>3684.175</b>
		405	380	340	<b>3684.131</b>	<b>3684.145</b>	<b>3684.159</b>	<b>3684.172</b>	<b>3684.163</b>	<b>3684.176</b>
		465	440	400	<b>3684.132</b>	<b>3684.146</b>	<b>3684.160</b>	<b>3684.173</b>	<b>3684.164</b>	<b>3684.177</b>
		525	500	400	<b>3684.133</b>	<b>3684.147</b>	<b>3684.161</b>	<b>3684.174</b>	<b>3684.165</b>	<b>3684.178</b>
		585	560	400	-	-	-	-	<b>3684.166</b>	<b>3684.179</b>

<sup>1)</sup> Front horizontal rails with 10 mm extension for injector/extractor handles (B).

### Ripac Vario EMC 4 U, 7 U



**Material/surface finish:**

Side panels:  
2.5 mm aluminum, clear-chromated  
Flanges and horizontal rails:  
Extruded aluminum section,  
clear-chromated  
Covers: Aluminum, unplated

**Supply includes:**

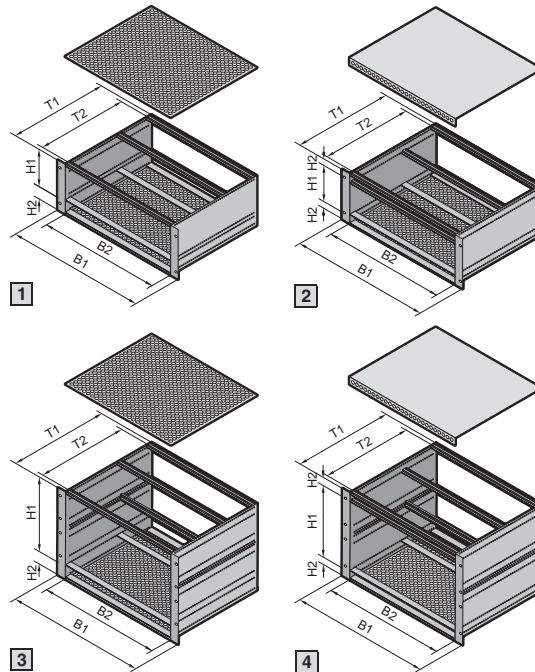
Flanges, rear trims, side panels, EMC gaskets, covers, mounting blocks, horizontal rails, threaded inserts, insulating strips.

**Tests:**

Shock and vibration tested to:  
IEC 600-68-2-6 test Fc  
IEC 600-68-2-27 test Ea

**Standards:**

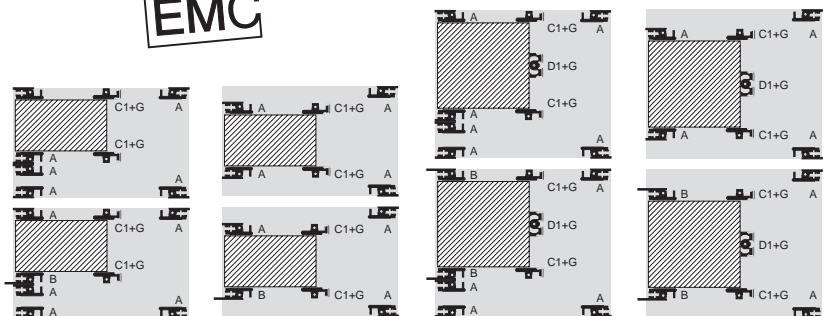
Ripac subracks are based on the system dimensions of IEC 60 297-3.



ge 14

B = Width  
T = Depth

**EMC**



**1** Top: for backplane  
bottom: for backplane/  
front horizontal rail with  
10 mm extension

**2** Top: for backplane  
bottom: for backplane/  
front horizontal rail with  
10 mm extension

**3** Top: for backplane  
bottom: for backplane/  
front horizontal rail with  
10 mm extension

**4** Top: for backplane  
bottom: for backplane/  
front horizontal rail with  
10 mm extension

						Order No.							
						1		2		3		4	
U (H1 + H2)						4 (3 + 1)	4 (3 + 1)	4 (3 + 2 x 1/2)	4 (3 + 2 x 1/2)	7 (6 + 1)	7 (6 + 1)	7 (6 + 2 x 1/2)	7 (6 + 2 x 1/2)
B1 mm	B2 HP	Side panel (T1) mm	T2 mm	Max. PCB depth mm		For backplane	For backplane <sup>1)</sup>	For backplane	For backplane <sup>1)</sup>	For backplane	For backplane <sup>1)</sup>	For backplane	For backplane <sup>1)</sup>
482.6 (19")	84	285	260	220		3684.134	3684.148	3684.137	3684.151	3684.187	3684.192	—	—
		345	320	280		3684.135	3684.149	3684.138	3684.152	3684.188	3684.193	3684.189	3684.196
		405	380	340		3684.136	3684.150	3684.139	3684.153	3684.180	3684.194	3684.190	3684.197
		465	440	400		—	—	—	—	3684.181	3684.195	3684.191	3684.198

<sup>1)</sup> Front horizontal rails with 10 mm extension for injector/extractor handles (B).