

SPECIFICATION

Ultra-Wideband Adhesive Type External Antenna

- Part No. : **GSA.8827R.A.101111 Phoenix**
- Product Name : 4G/3G/2G Ultra-wideband I-bar Antenna for First-Tier Automotive Application
- Feature : LTE / GSM / CDMA /DCS /PCS / WCDMA / UMTS / HSDPA / GPRS / EDGE / GPS / Wi-Fi
 698MHz to 960MHz, 1575.42MHz,
 1710MHz to 2700Mhz
 1M RG.174 cable with SMA(M) connector
 AntD© Antenna Diagnostic Compatible
 Ingress protection rating IP65
 Low profile for easy installation
 Fully customizable cable length and connector
 105mm*30mm*7.7mm



1. Introduction

The GSA.8827R Phoenix Ultra-Wideband I-Bar antenna is a robust high efficiency cellular antenna for use with all 4G/3G/2G cellular modules worldwide.

Its slim-line design allows for covert and convenient installation in automotive vehicles, its omni-directional gain across all bands ensures constant reception and transmission. GSA.8827R is manufactured and tested in a TS16949 first tier automotive approved facility, and it has gone through full PPAP design, reliability and quality audits.

The Phoenix finds its application particularly in first-tier automotive application, aftermarket and telematics. With its unique ultra-wide band dipole design, the Phoenix has exceptional industry performance characteristics considering its very low profile at 7.7mm and has a compact size of only 105mm*30mm.

This antenna is designed to be mounted on glass or plastic (not on metal). It comes with strong 3M double-sided adhesive for a permanent and secure fix to your vehicle interior. The antenna is UV Resistant. Cable lengths and connectors are fully customizable.

GSA.8827R features Taoglas' AntD© antenna diagnostic technology. AntD© allows connected radio products using the latest cellular modules and recommended circuits from Telit and uBlox to perform diagnostics on the antenna. This includes detection that the proper antenna is connected and that the connection isn't shorted or broken. Contact Taoglas engineering for examples on how to implement AntD© antenna diagnostics in your product.

2. Specification

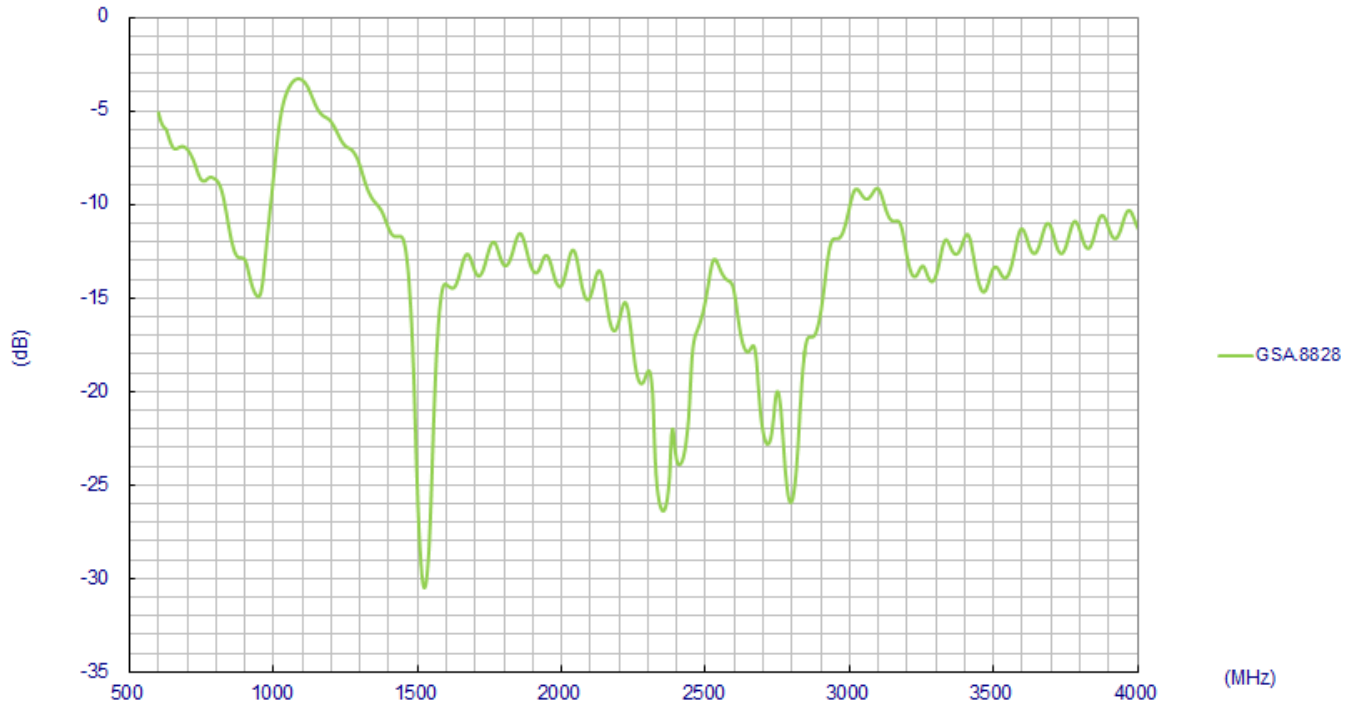
ELECTRICAL									
Frequency (MHz)	698~803	824~894	880~960	1575.42	1710 ~ 1880	1850 ~ 1990	1920 ~ 2170	2490~2690	
Free Space Peak Gain (dBi)									
Cable length (meter)	1	3.42	2.38	1.47	1.28	2.16	1.86	1.86	1.74
Free Space Average Gain (dBi)									
Cable length (meter)	1	-4.34	-3.72	-3.71	-1.75	-2.47	-2.43	-2.56	-4.36
Free Space Efficiency (%)									
Cable length (meter)	1	37.38	42.47	42.54	66.83	56.71	57.14	55.50	37.03
Impedance	50Ω								
Polarization	Linear								
Radiation Pattern	Omni								
Input Power	50 W								
Integrate Resistor	Shunt 15K Ohm to Ground								
MECHANICAL									
Casing	UV Resistant PC/ABS								
Connector	SMA Male (customizable)								
ENVIRONMENTAL									
Temperature Range	-40°C to 85°C								
Humidity	Non-condensing 65°C 95% RH								

LTE BANDS			
Band Number	LTE / LTE-Advanced / WCDMA / HSPA / HSPA+ / TD-SCDMA		
	Uplink	Downlink	Covered
1	UL: 1920 to 1980	DL: 2110 to 2170	✓
2	UL: 1850 to 1910	DL: 1930 to 1990	✓
3	UL: 1710 to 1785	DL: 1805 to 1880	✓
4	UL: 1710 to 1755	DL: 2110 to 2155	✓
5	UL: 824 to 849	DL: 869 to 894	✓
7	UL: 2500 to 2570	DL: 2620 to 2690	✓
8	UL: 880 to 915	DL: 925 to 960	✓
9	UL: 1749.9 to 1784.9	DL: 1844.9 to 1879.9	✓
11	UL: 1427.9 to 1447.9	DL: 1475.9 to 1495.9	✗
12	UL: 699 to 716	DL: 729 to 746	✓
13	UL: 777 to 787	DL: 746 to 756	✓
14	UL: 788 to 798	DL: 758 to 768	✓
17	UL: 704 to 716	DL: 734 to 746 (LTE only)	✓
18	UL: 815 to 830	DL: 860 to 875 (LTE only)	✓
19	UL: 830 to 845	DL: 875 to 890	✓
20	UL: 832 to 862	DL: 791 to 821	✓
21	UL: 1447.9 to 1462.9	DL: 1495.9 to 1510.9	✗
22	UL: 3410 to 3490	DL: 3510 to 3590	✗
23	UL: 2000 to 2020	DL: 2180 to 2200 (LTE only)	✓
24	UL: 1625.5 to 1660.5	DL: 1525 to 1559 (LTE only)	✓
25	UL: 1850 to 1915	DL: 1930 to 1995	✓
26	UL: 814 to 849	DL: 859 to 894	✓
27	UL: 807 to 824	DL: 852 to 869 (LTE only)	✓
28	UL: 703 to 748	DL: 758 to 803 (LTE only)	✓
29	UL: -	DL: 717 to 728 (LTE only)	✓
30	UL: 2305 to 2315	DL: 2350 to 2360 (LTE only)	✓
31	UL: 452.5 to 457.5	DL: 462.5 to 467.5 (LTE only)	✗
32	UL: -	DL: 1452 - 1496	✗
35		1850 to 1910	✓
38		2570 to 2620	✓
39		1880 to 1920	✓
40		2300 to 2400	✓
41		2496 to 2690	✓
42		3400 to 3600	✗
43		3600 to 3800	✗

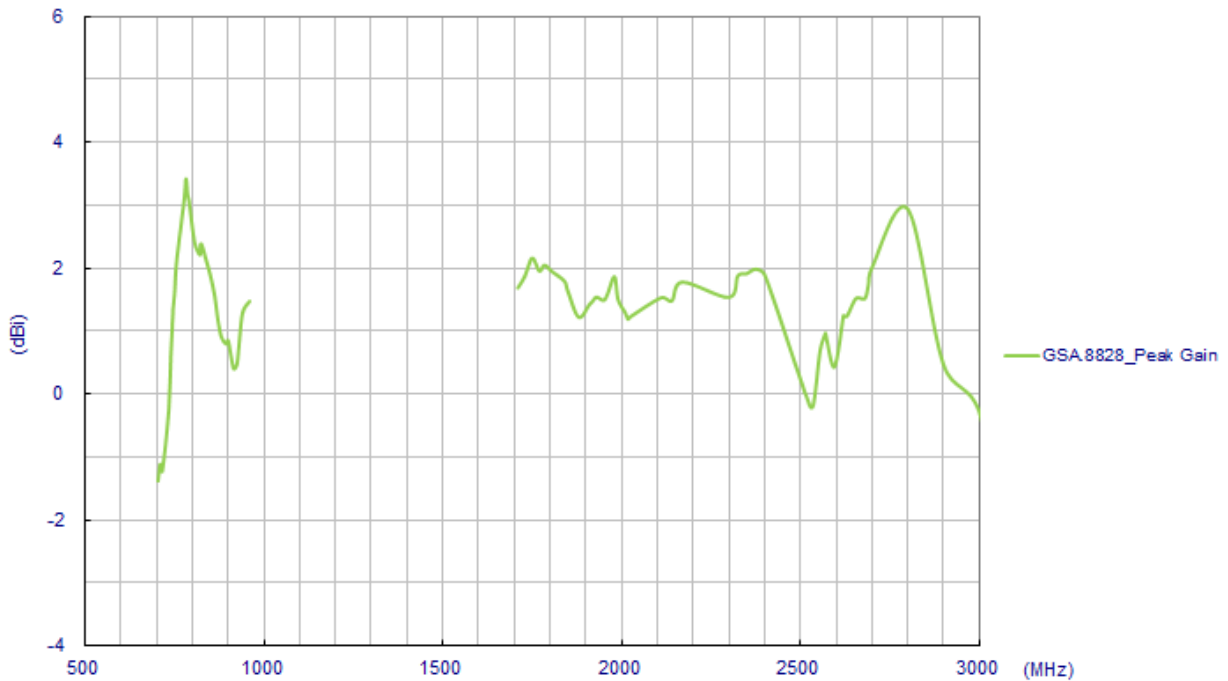
*Covered bands represent an efficiency greater than 20%

3. Antenna Characteristics

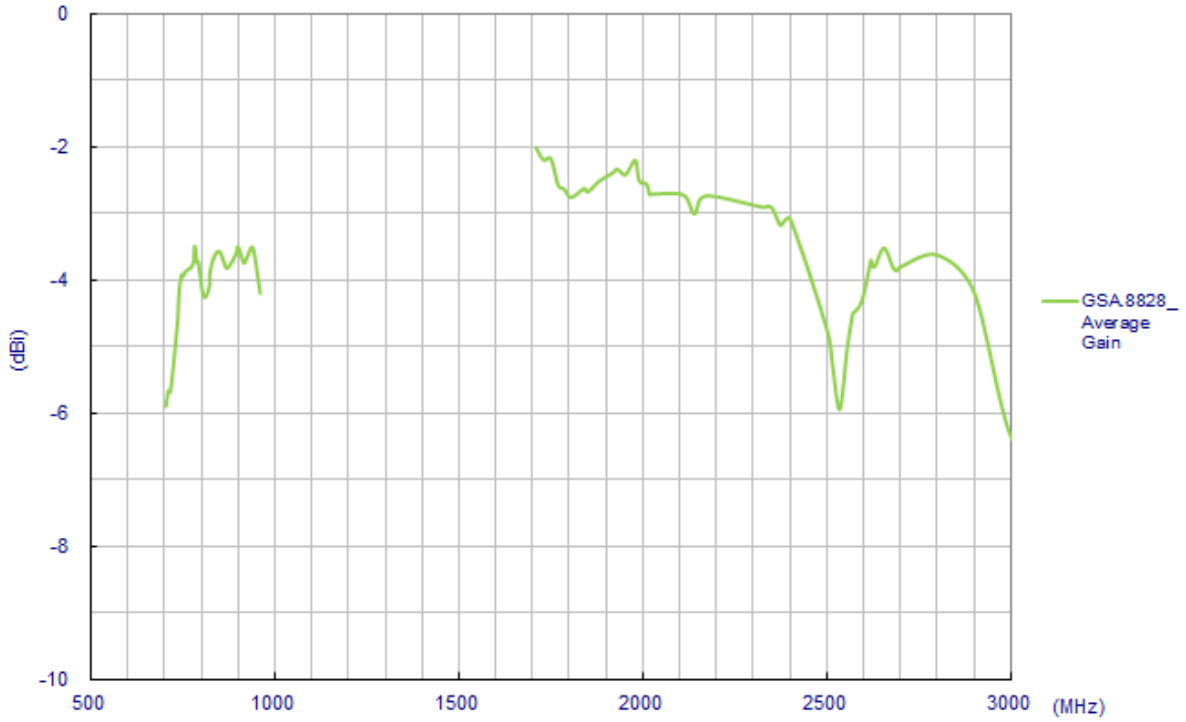
3.1. Return Loss (in free space)



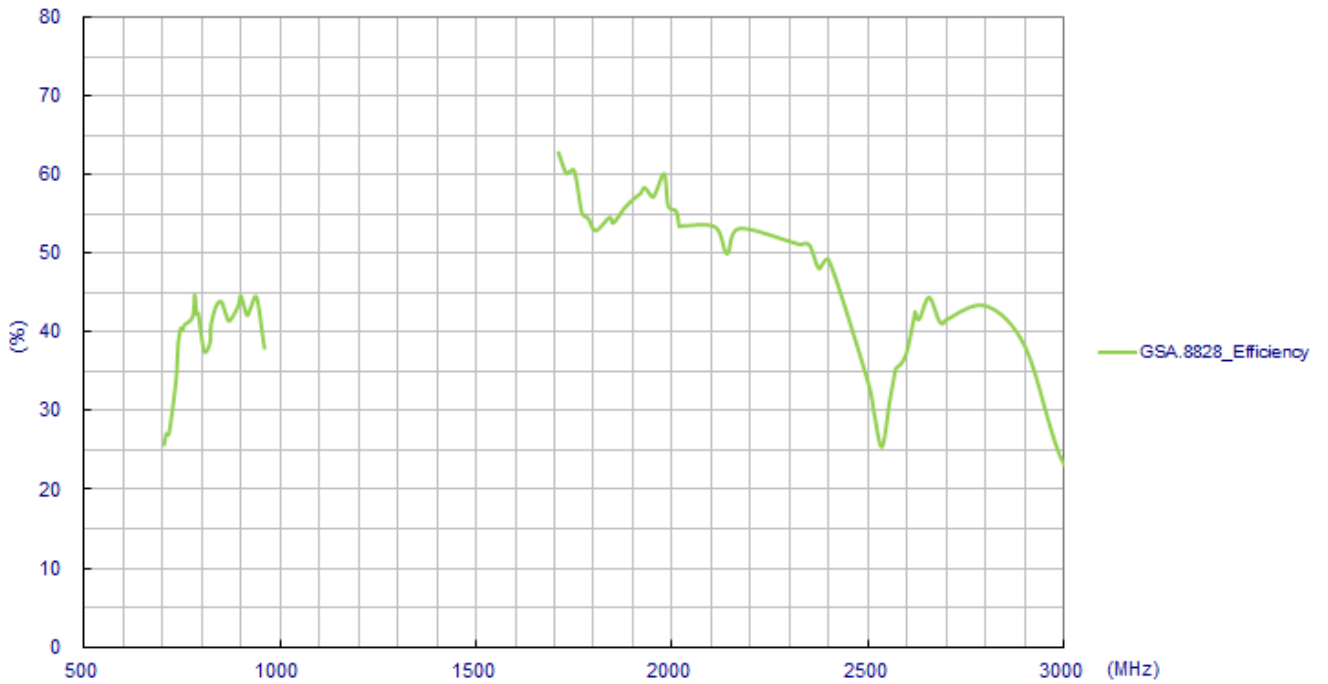
3.2. Peak Gain (in free space)



3.3. Average Gain (in free space)

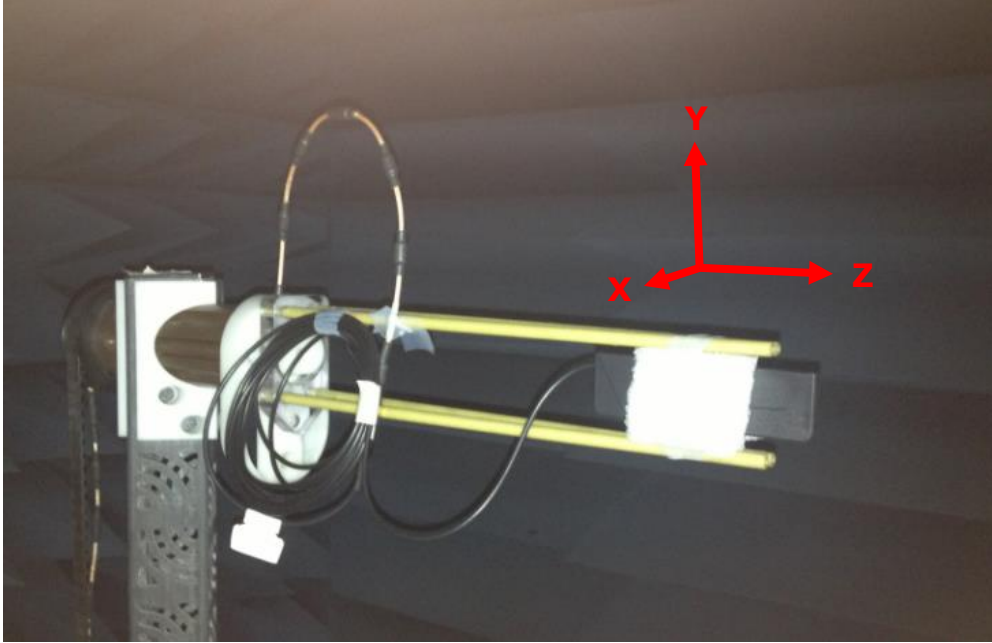


3.4.1 Efficiency (in free space)



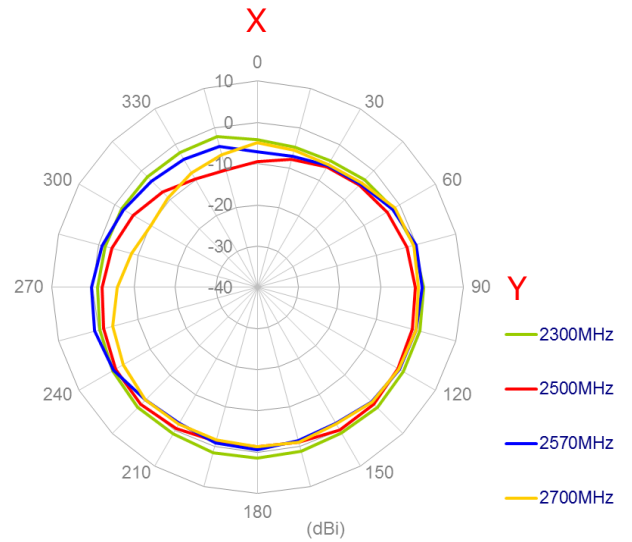
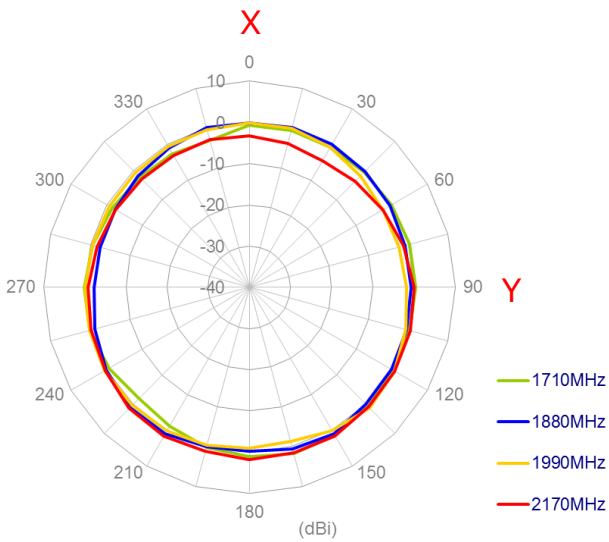
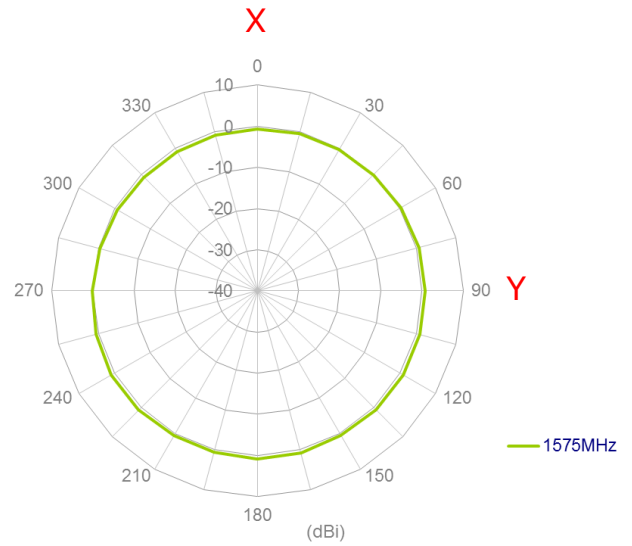
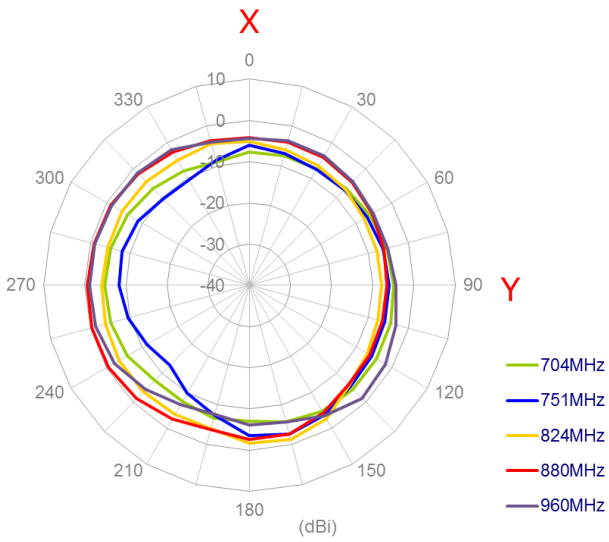
4. Antenna Radiation Patterns

4.1. Antenna setup (Free Space with 1 Meter Cable Length)

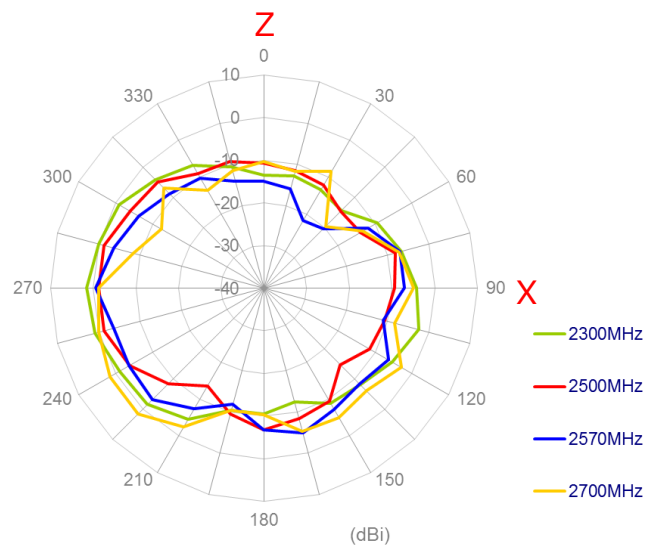
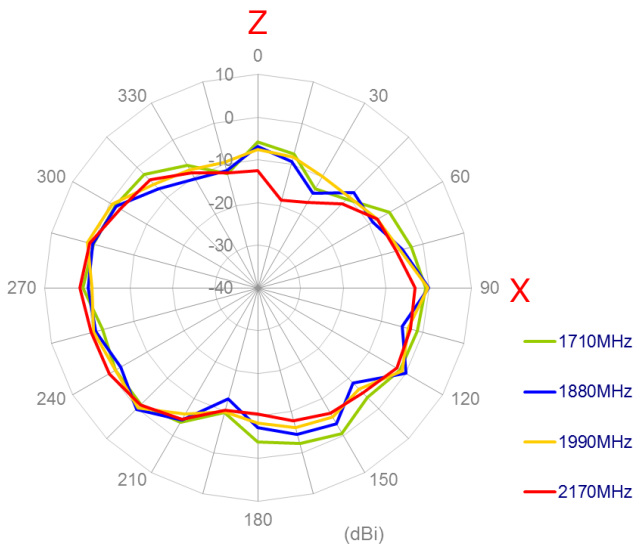
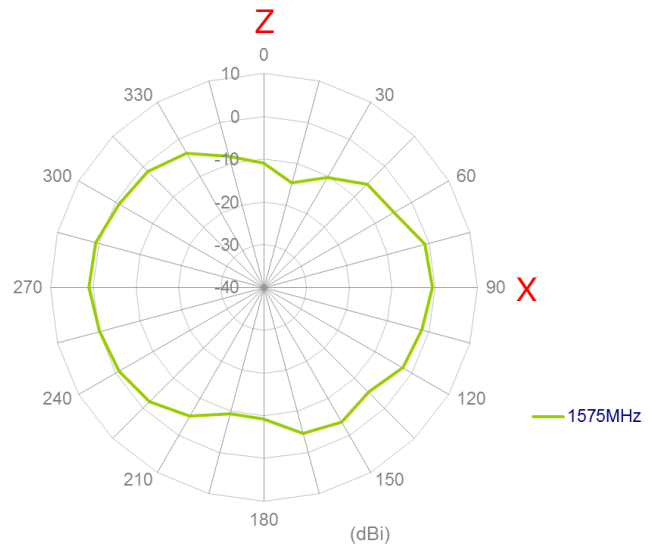
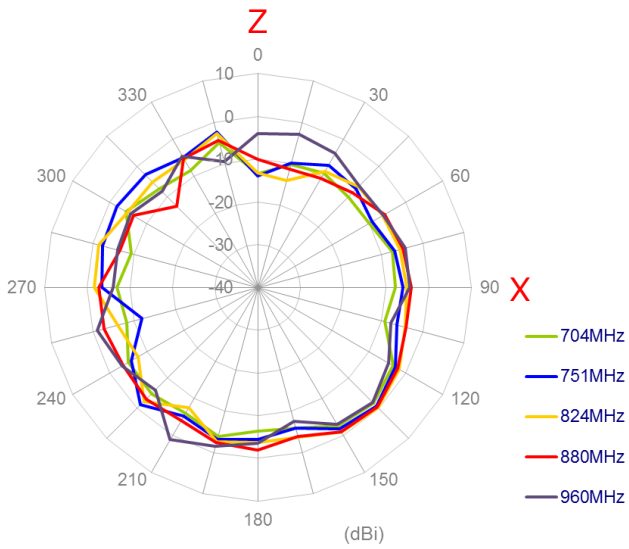


4.2. Radiation patterns

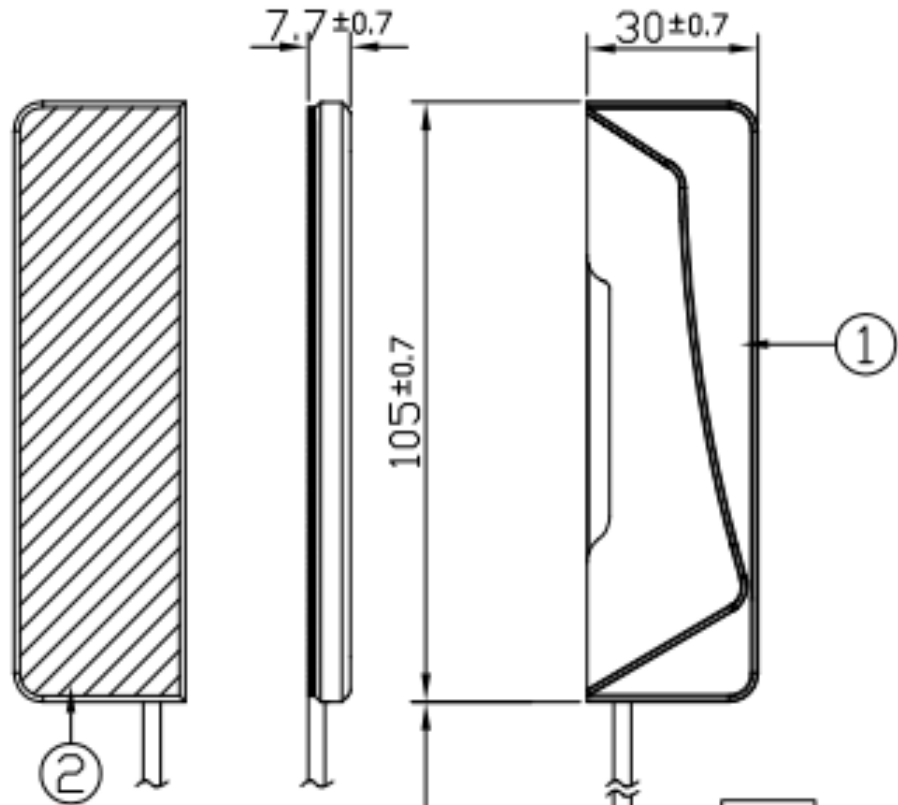
XY Plane



XZ Plane

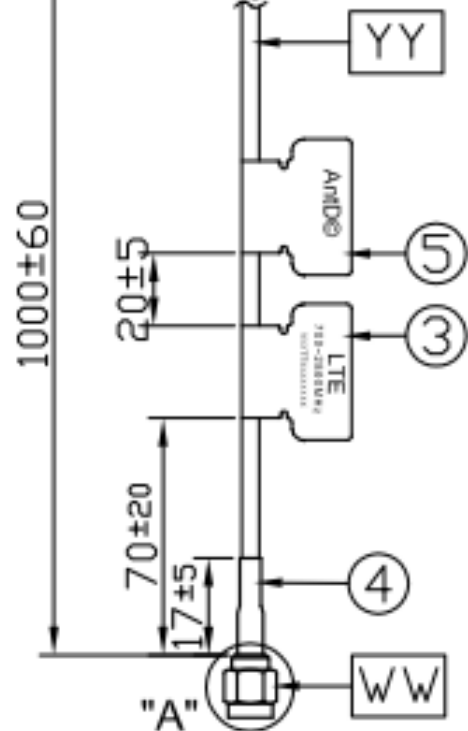
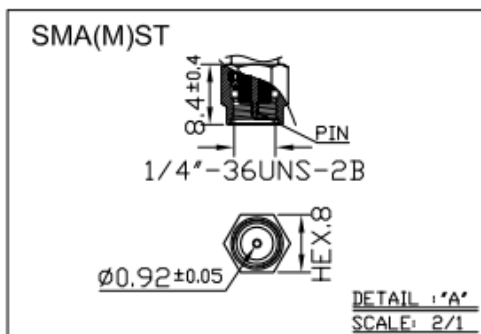


5. Drawing



Name	Material	Finish	QTY
1 Housing	PC+ABS	Black	1
2 Double Sided Adhesive	3M 1600T	White	1
3 LTE Label	Coated Paper	White	1
4 Heat Shrink Tube	PE	Black	1
5 AntD® Label	Coated Paper	White	1

Name	Spec	Finish	QTY
WW Connector Type	SMA(M)ST	Gold	1
YY Cable Type	RG-174	Black	1



6. Packaging

Taoglas makes no warranties based on the accuracy or completeness of the contents of this document and reserves the right to make changes to specifications and product descriptions at any time without notice. Taoglas reserves all rights to this document and the information contained herein.

Reproduction, use or disclosure to third parties without express permission is strictly prohibited.

Copyright © Taoglas Ltd.