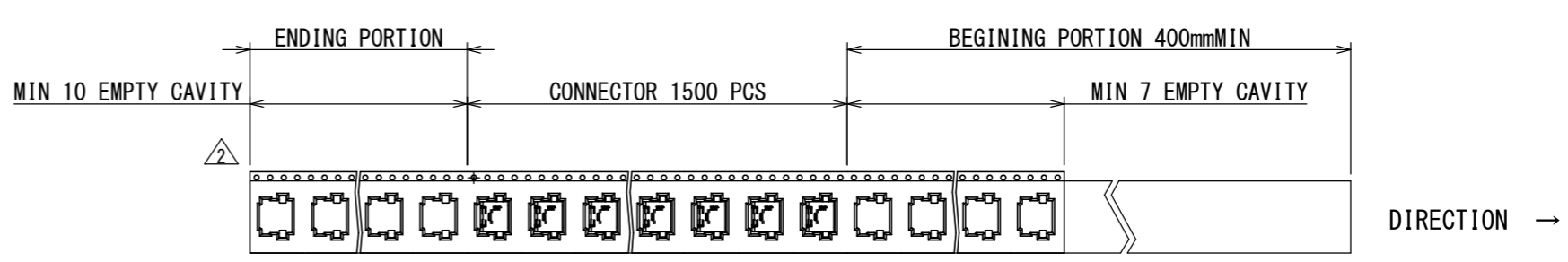
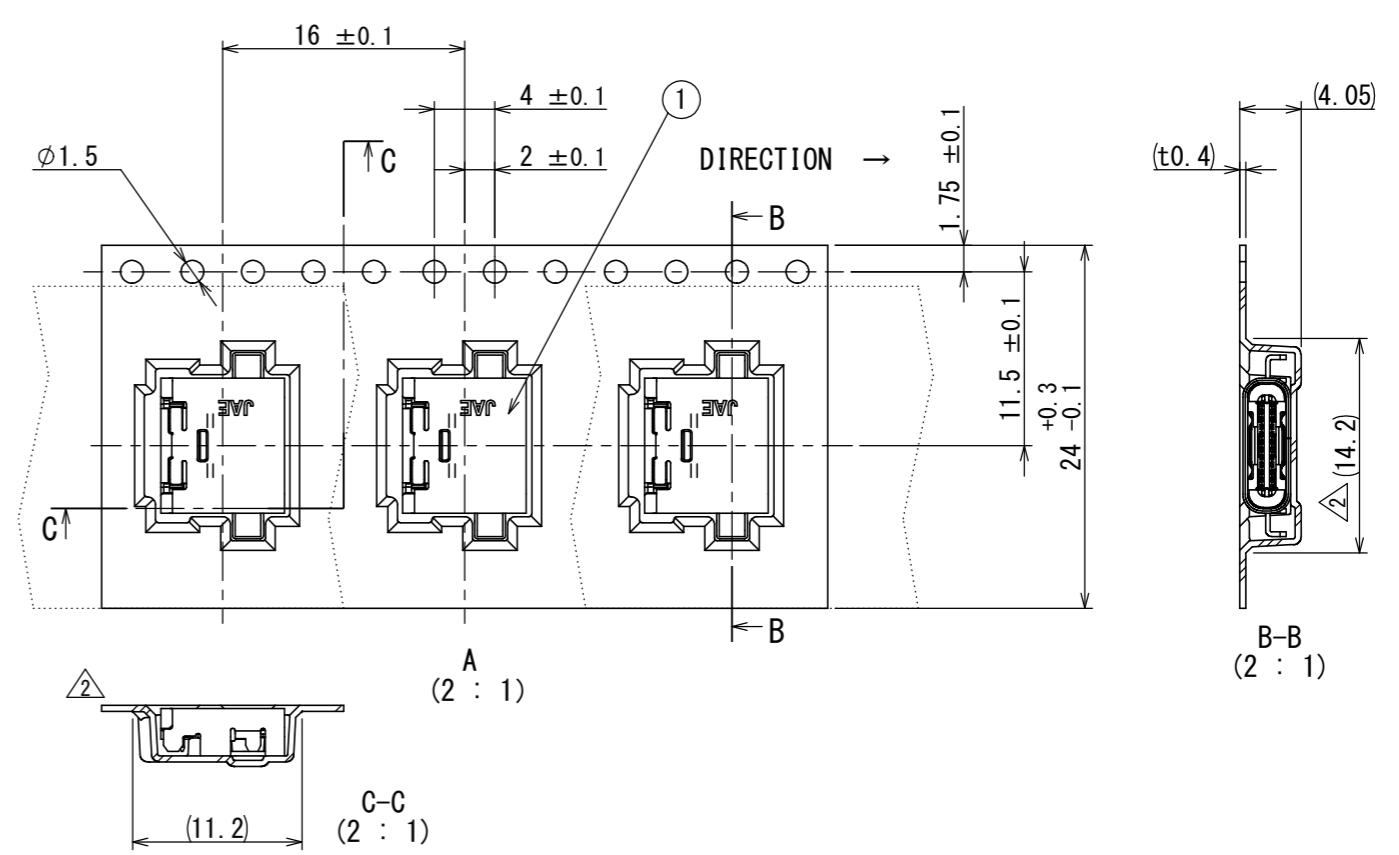
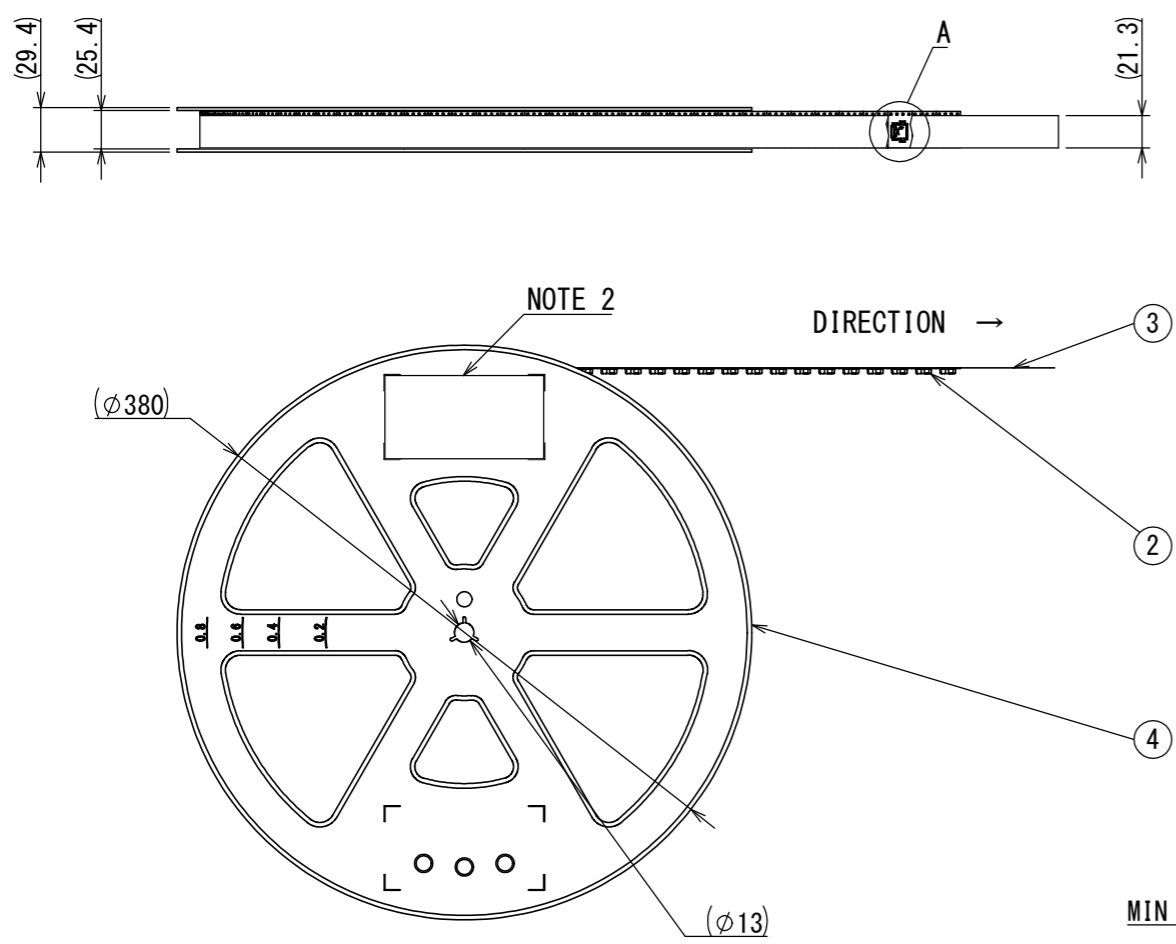


SJ115851
(ON DRAWING NO.)

版数 VER.	年月日 DATE	CN NO.	変更内容 DESCRIPTION	製図 DR.	担当 CHK.	査閲 APPD.	承認 APPD.
2	18/AUG/2016	017167	CHANGE OF CARRIER TAPE CONFIGURATION.		K. SAITOU	K. UEDA	Y. SAITOU



NOTE1. SUFFIX "R1500" OF PART NUMBER "DX07B024JJ1R1500" INDICATES 1500PCS IN A REEL.
 2. THE LABEL IN WHICH DESCRIPTION, QTY, LOT NO, EMBOSS CODE AS INDICATED.
 3. REFER TO THE DRAWING "SJ115850(DX07B024JJ1)" FOR THE CONNECTOR DIMENSIONS.
 4. REEL FORM MAY DIFFER FROM THE DRAWING.

現品ラベル/ARTICLE LABEL

品名 (DESCRIPTION) DX07B024JJ1R1500
 図番 (PART No.) SJ115851
 数量 (Qty) 1,500

ITEM NO
 Lot No.
 E Code: TB2416

XXXXXXXXXX XXXX XXXX XXXX
 Count: 001
 JAE001

2015/05/14
 MADE IN JAPAN
 QCF-C-0628 (07.12) / JAPS-9006-2

Japan Aviation Electronics Industry, Ltd.

24: TAPE WIDTH / 16: FEED PITCH

符号 NO.	名称 DESCRIPTION	個数 QTY.	材料 MATERIAL	仕上 FINISH	備考 REMARKS
4	REEL	1	PS	-	-
3	COVER TAPE	1	PET	-	-
2	CARRIER TAPE	1	PS	-	-
1	CONNECTOR	1500	-	-	SJ115850 (DX07B024JJ1)

仕様書 (SPECIFICATION) JACS-30353	第1版 (ORIGINAL DATE) 14/MAY/2015	尺度 (SCALE) 1:5	シリーズ (SERIES) DX07	日本航空電子工業株式会社 JAPAN AVIATION ELECTRONICS INDUSTRY, LTD.
一般公差 (GENERAL TOLERANCE) 寸法 (DIMENSION) ±0.8 × ±0.4 ×× ±0.1 ××× ±	角度 (ANGLES) ×° ± ×°×' ± 単位 (UNIT) : mm	製図 DR. 担当 CHK. 査閲 APPD. 承認 APPD.	名称 (TITLE) DX07B024JJ1R1500	図面番号 (DRAWING NO.) SJ115851
質量 (MASS)			質量 (MASS)	版数 (VER.) 2

WISDOM承認 2016/08/26

DCF-C-212H(12.08)