

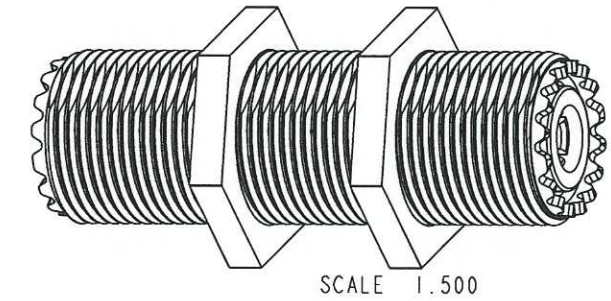
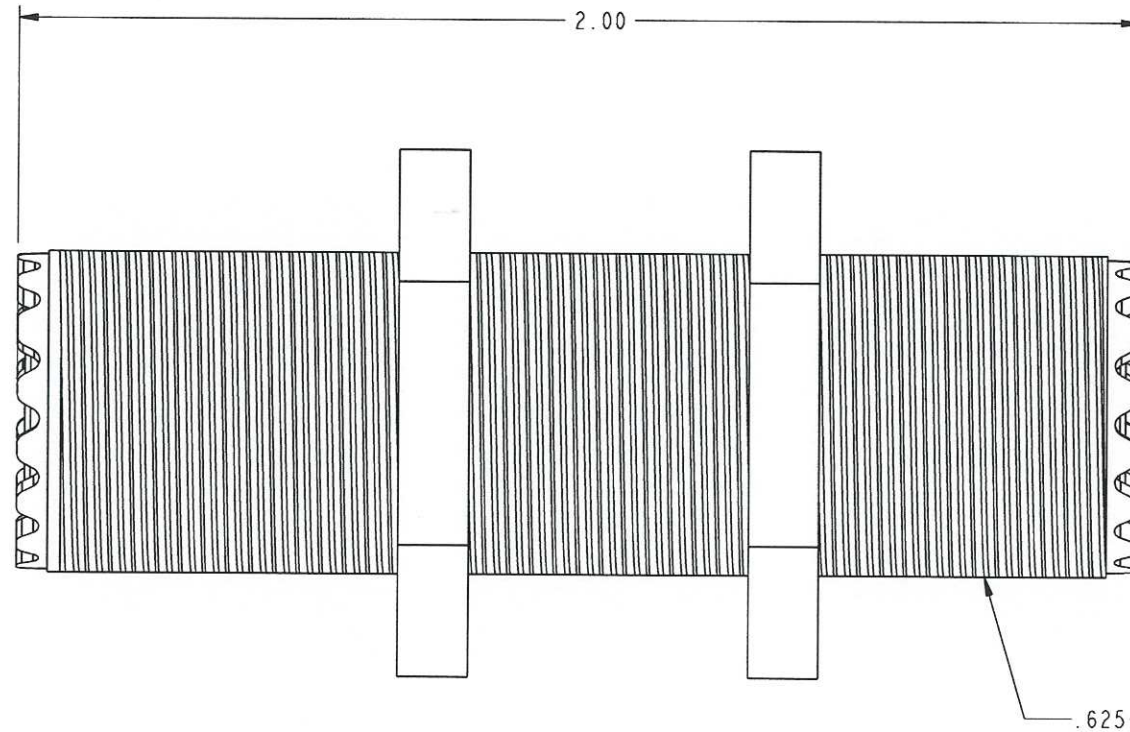
NOTES:

- 1. MATERIALS OF CONSTRUCTION:  
 BODY = BRASS, NICKEL PLATED  
 NUTS = BRASS, NICKEL PLATED  
 CONTACT = BRASS, SILVER PLATED  
 INSULATORS = POLYSTYRENE  
 GASKETS = SILASTIC 6526  
 RETAINING RING = PHOSPHOR BRONZE, NICKEL PLATED

THIRD ANGLE PROJ.

REVISIONS

REV	DESCRIPTION	DATE	ECO	APPR
-1-	RELEASE TO MFG.			
AB	ADD SHEET 2	2/18/00	43266	CPM
AC	BODY MATERIAL WAS ZINC, NUT MATERIAL WAS ALUMINUM, UPDATED FORMAT	11/29/12	49230-1	EW



CUSTOMER OUTLINE DRAWING  
 FOR REFERENCE ONLY

UNLESS OTHERWISE SPECIFIED, DIMENSIONS ARE IN METRIC AND TOLERANCES ARE:  
 <0.5mm ±0.05mm    0.5 - 6mm ±0.1mm    6 - 30mm ±0.2mm    30 - 120mm ±0.3mm    ANGLES ±1°

NOTICE - These drawings, specifications, or other data (1) are, and remain the property of Amphenol corp. (2) must be returned upon request; and (3) are confidential and not to be disclosed to any person other than those to whom they are given by Amphenol Corp. the furnishing of these drawings, specifications, or other data by Amphenol Corp., or to any other person to anyone for any purpose is not to be regarded by implication or otherwise in any manner licensing, granting rights to permitting such holder or any other person to manufacture, use or sell any product, process or design, patented or otherwise, that may in any way be related to or disclosed by said drawings, specifications, or other data.

MATERIAL	DRAWN	DATE	TITLE UHF JACK TO JACK ADAPTOR		Amphenol RF www.amphenolrf.com
	C MCGRATH	08-FEB-00			
REFERENCE GEN# ASSY2_UHF CONFIGURATION LEVEL: In Work	ENGINEER	DATE	SCALE: 3.0:1.0 SHEET 2 OF 2		DRAWING NO. 83-IF
	T. AUBIN	08-FEB-00			ITEM NO. 83-IF
FINISH	APPROVED	DATE	DWG SIZE B	REV AC	PART NO. 83-IF
		2/16/00			
	CAD FILE				
	1:\UHF\83-IF				