

**PLEASE CHECK WWW.MOLEX.COM FOR LATEST PART INFORMATION**

**Part Number:** [120074-0190](#)  
**Status:** **Active**  
**Overview:** Brad® Micro-Change® (M12) Connectors  
**Description:** Micro-Change® (M12) US Dual Keyway Receptacle, 1/4" - 18NPT Threads, Straight Male, 5 Poles, Length 0.30m

**Documents:**

[Drawing \(PDF\)](#) [RoHS Certificate of Compliance \(PDF\)](#)

**Agency Certification**

CSA LR6837  
 UL E152210

**General**

Product Family Industrial Receptacles  
 Series [120074](#)  
 IP Rating IP67  
 NEMA Rating NEMA 6  
 Overview [Brad® Micro-Change® \(M12\) Connectors](#)  
 Product Name Micro-Change® (M12)  
 Type Single Ended (pigtail)  
 UPC 78678821748

**Physical**

Coupling Type External Thread  
 Gender Male  
 Keyway Reverse  
 Length 0.30m  
 Material - Component Gray Anodized Aluminum  
 Mounting Thread Size 1/4" - 18 NPT  
 Net Weight 25.580g  
 Orientation Straight  
 Panel Mount Front  
 Poles 5  
 Temperature Range - Operating -20°C to +80°C  
 Wire Size AWG 22  
 Wire/Cable Type UL 1061

**Electrical**

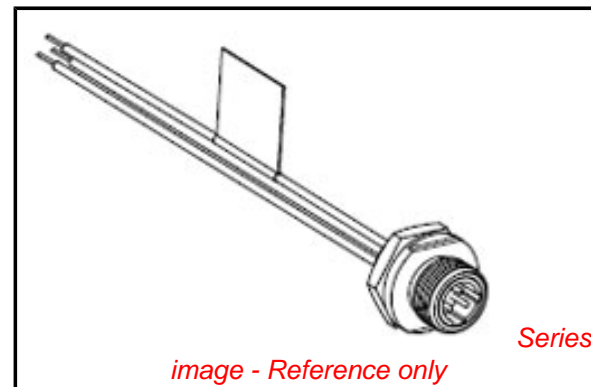
Current - Maximum per Contact 4A  
 Voltage - Maximum 250V

**Material Info**

Old Part Number 7R5A06A19A120

**Reference - Drawing Numbers**

Sales Drawing SD-120074-030



**EU RoHS**

**ELV and RoHS  
 Compliant**  
**REACH SVHC  
 Not Reviewed**  
**Low-Halogen Status  
 Not Reviewed**

**China RoHS**



**Need more information on product  
 environmental compliance?**

Email [productcompliance@molex.com](mailto:productcompliance@molex.com)  
 For a multiple part number RoHS Certificate of Compliance, [click here](#)

Please visit the [Contact Us](#) section for any non-product compliance questions.

**Search Parts in this Series**  
[120074Series](#)