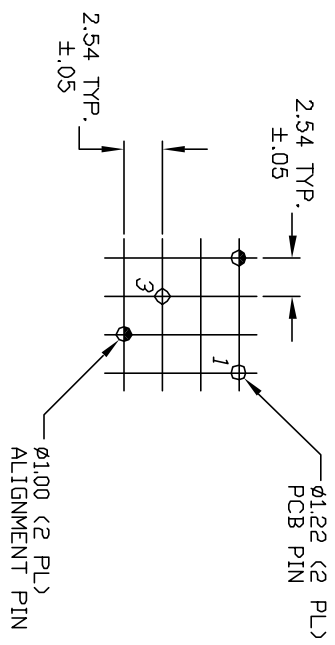
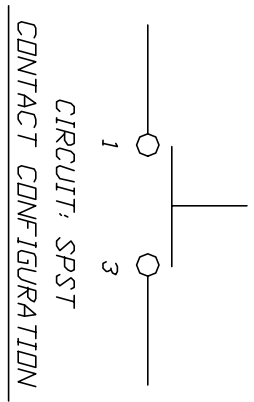


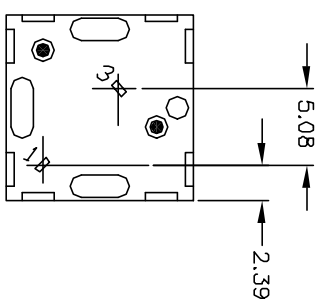
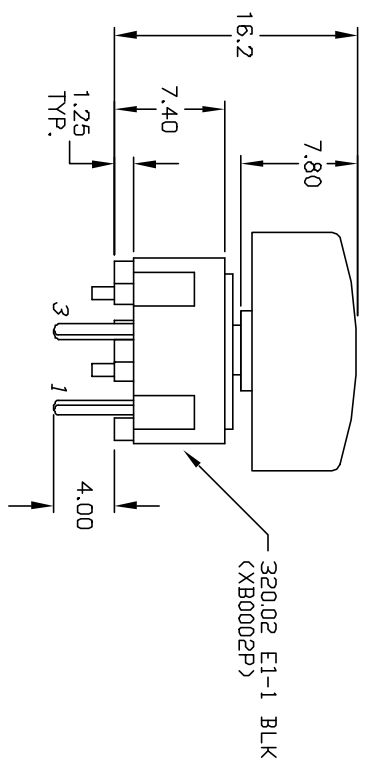
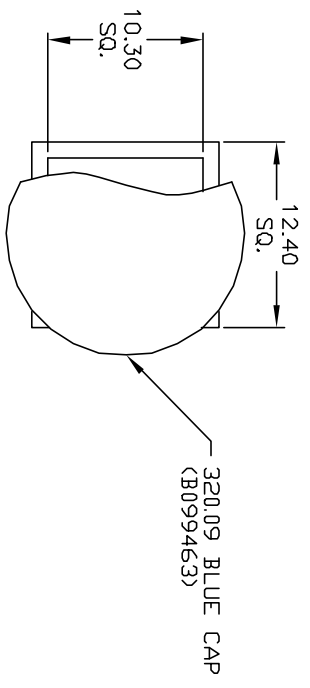
TOP VIEW - SHOW ORIENTATION OF LEGENDS
IN RESPECT TO THE PCB PIN TERMINALS.



RECOMMENDED P.C.B. LAYOUT



- NOTES:
1. ALL DIMENSIONS IN MM
 2. GENERAL TOLERANCE: X.X=±0.4
X.XX=±0.25
 3. RATING: 25mA, @50VDC
 4. OPERATING FORCE: 120gf



REV.	ECN No.	DESCRIPTION	DATE	CHKD
A	11331	RELEASED FOR PRODUCTION	9/25/01	CJC

TITLE	SCALE	DATE	DR	DWG	REV
320.09 E1-1 (BLU)	2:1	9/25/01	CJC	XB0865A	A



THE INFORMATION CONTAINED IN THIS DOCUMENT IS PROPRIETARY TO E-SWITCH AND IS NOT TO BE COPIED OR TRANSMITTED