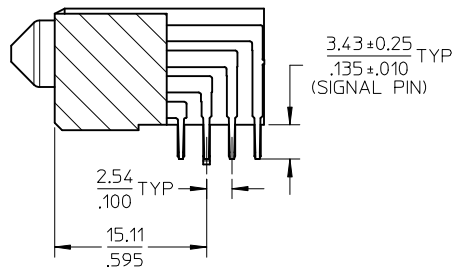
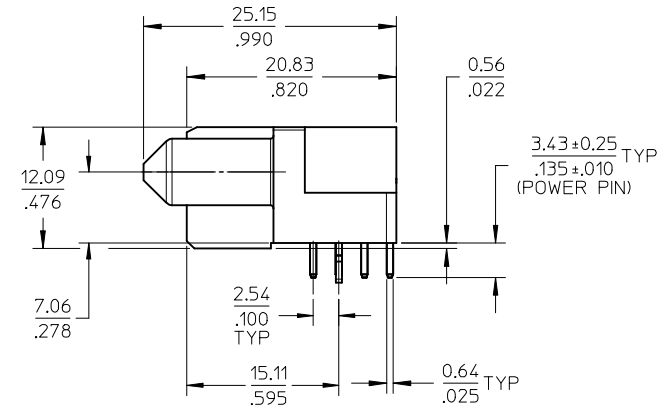
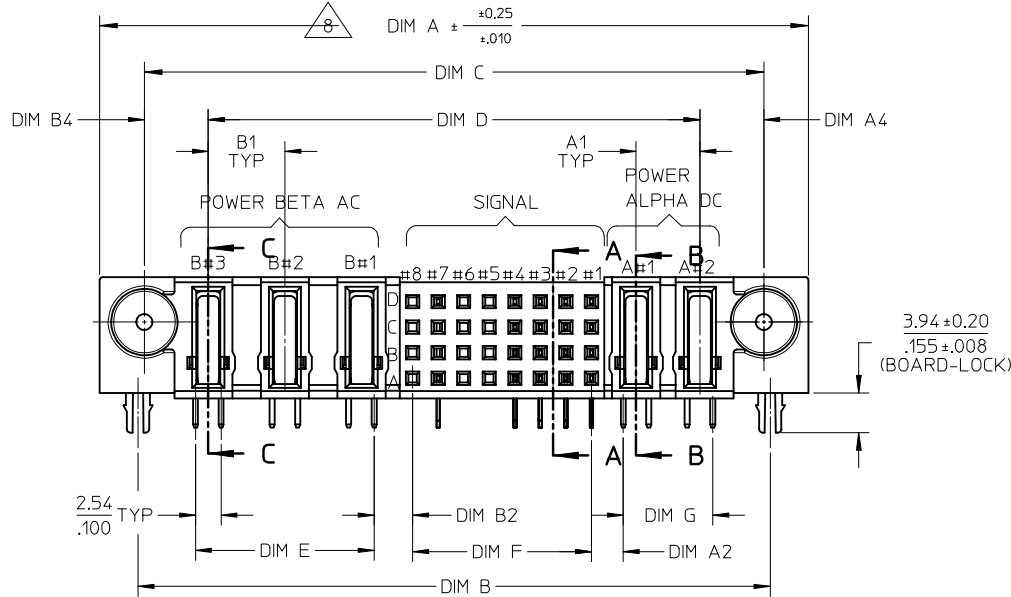
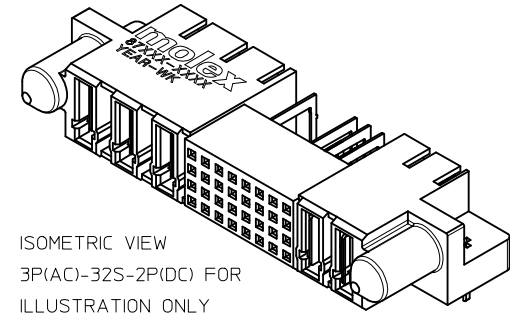
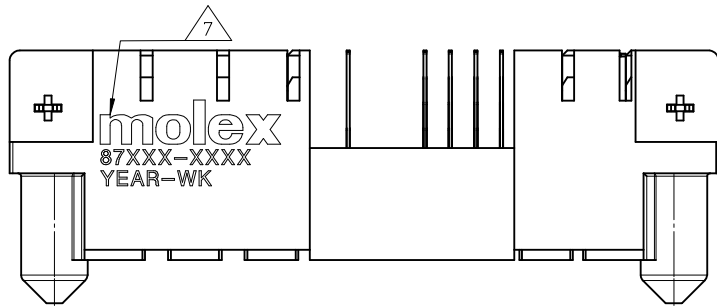


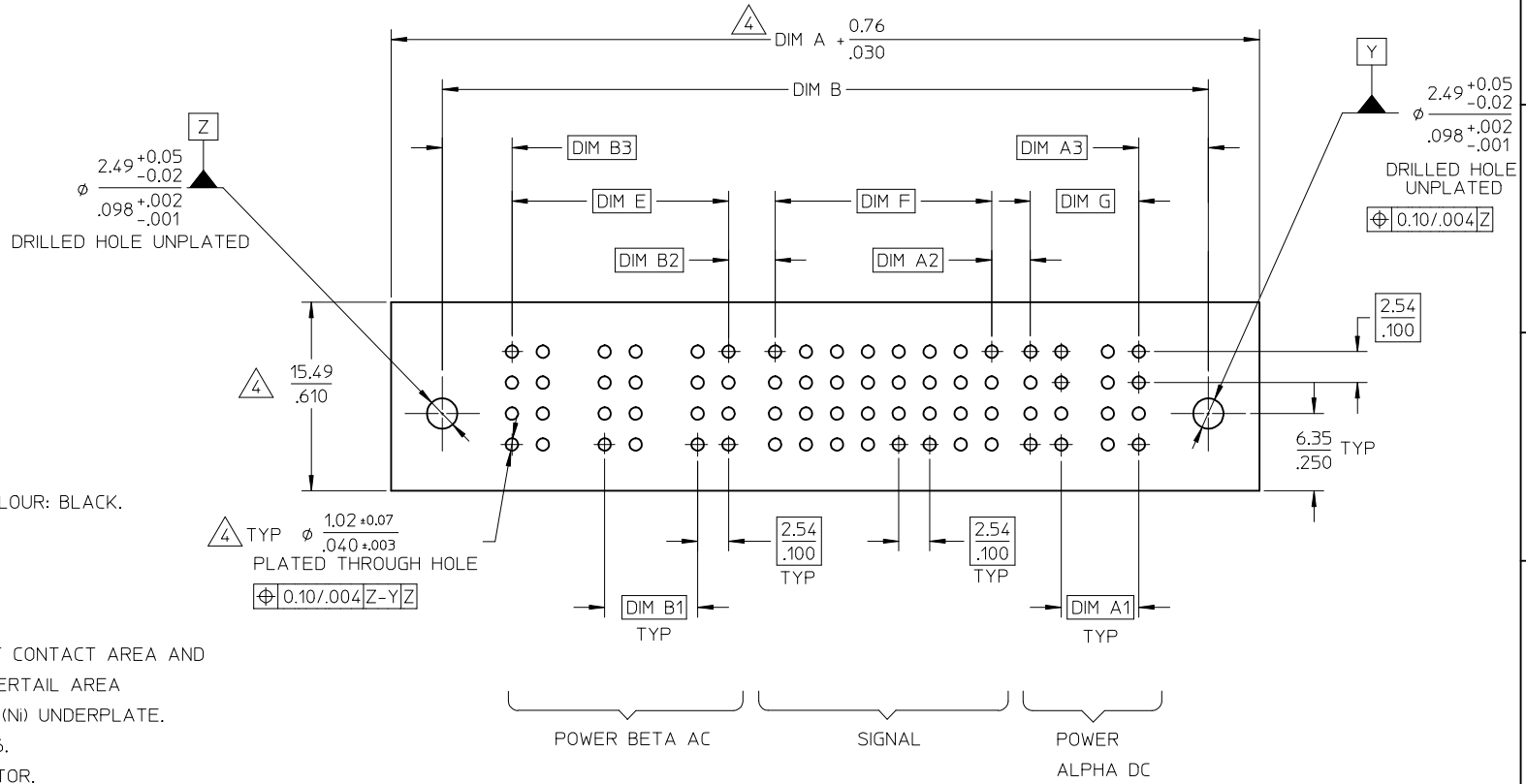
10 9 8 7 6 5 4 3 2 1



SECTION A-A

REVISED EC NO: S2014-0060 2013/07/18 DRWN:SKANG 2013/09/06 CHKD:MLONG 2013/09/09 APPR:MLONG	QUALITY SYMBOLS	GENERAL TOLERANCES (UNLESS SPECIFIED)		DIMENSION STYLE	SCALE	DESIGN UNITS	THIRD ANGLE PROJECTION
	$\nabla_A = 0$ $\nabla_C = 0$ $\nabla_F = 0$	mm      INCH 4 PLACES ± --- ± --- 3 PLACES ± --- ± --- 2 PLACES ± 0.13 ± --- 1 PLACE ± 0.25 ± --- 0 PLACE ±      ±	MM ONLY	NTS	METRIC	DRAWN BY: KFLIM      DATE: 2005/11/15 CHECKED BY: BHLOW      DATE: 2005/11/15 APPROVED BY: MLONG      DATE: 2010/09/16 MATERIAL NO.      DOCUMENT NO.	
	DRAFT WHERE APPLICABLE MUST REMAIN WITHIN DIMENSIONS	ANGULAR ± 3 ° SEE TABLE	TITLE: EXTREME POWERPLUS RECEPT PB(AC)-S-PA(DC) CONFIG. R/A, T/H, BOARDLOCK		molex		SHEET NO. 1 OF 3
	B4	REV			THIS DRAWING CONTAINS INFORMATION THAT IS PROPRIETARY TO MOLEX INCORPORATED AND SHOULD NOT BE USED WITHOUT WRITTEN PERMISSION		

9 8 7 6 5 4 3 2 1

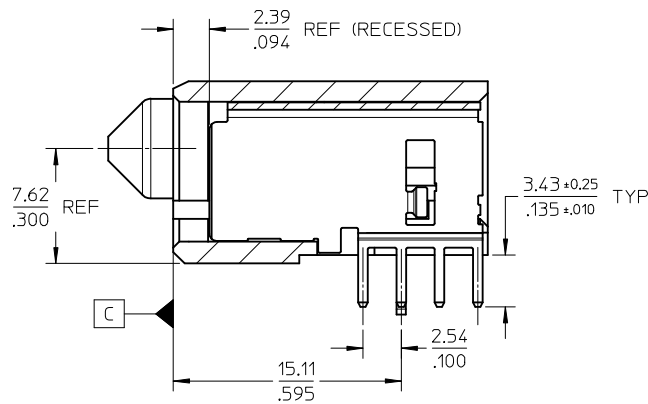


NOTES:

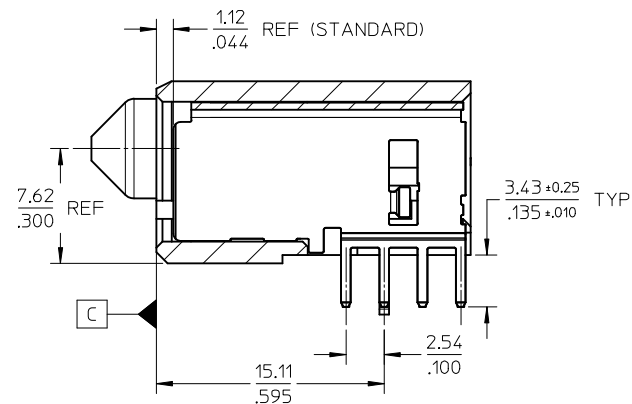
- MATERIALS:-  
HOUSING - LCP.  
GLASS FILLED, UL94V-0, COLOUR: BLACK.  
SIGNAL TERMINAL - COPPER ALLOY  
POWER TERMINAL - COPPER ALLOY
- FINISH :-  
SIGNAL & POWER CONTACTS  
0.76 MICROMETER MINIMUM GOLD (Au) AT CONTACT AREA AND  
2.54 MICROMETER MINIMUM TIN AT SOLDER TAIL AREA  
OVER 1.27 MICROMETER MINIMUM NICKEL (Ni) UNDERPLATE.
- PRODUCT SPECIFICATION : PS-87663-006.
- COMPONENT STAY AWAY FROM CONNECTOR.
- PCB NOTE FOR DIAMETER 1.02/.040 PLATED HOLE.  
- DRILLED HOLE SIZE IS 1.15/ .0453.  
- PLATE WITH 0.007 / .0003 MINIMUM TIN OVER 0.03/.001  
TO 0.08/.003 COPPER PLATING TO ACHIEVE 1.02+0.07/.040+.003 HOLE.
- ALL TERMINAL TIPS ARE DESIGNED WITH EXPOSE BASE COPPER.  
THIS IS CREATED BY FINAL CUTTING PROCESS AFTER PLATING.
- MANUFACTURING LOGO, PART NUMBER AND YEAR-WEEK CODE.
- 3P(AC)-32S-2P(DC) IS SHOWN FOR ILLUSTRATION.  
CONNECTOR CONFIGURATION IS AVAILABLE UP TO 203MM/8INCH.  
PLEASE CONTACT MOLEX SALES PERSONNEL FOR OTHER  
CONFIGURATION AND OPTION NEEDED.

REVISED EC NO: S2014-0060 DRWN:SKANG CHKD:MLONG APPR:MLONG	DESCRIPTION REV	QUALITY SYMBOLS		GENERAL TOLERANCES (UNLESS SPECIFIED)		DIMENSION STYLE		SCALE	DESIGN UNITS	THIRD ANGLE PROJECTION	
		F <sub>A</sub> =0		mm INCH		MM ONLY		NTS	METRIC		
		F <sub>C</sub> =0		4 PLACES ± --- ± ---		DRAWN BY DATE		TITLE			
		F <sub>P</sub> =0		3 PLACES ± --- ± ---		KFLIM 2005/11/15		EXTREME POWERPLUS RECEPT PB(AC)-S-PA(DC) CONFIG. R/A, T/H, BOARDLOCK			
		2 PLACES ± 0.13 ± ---		CHECKED BY DATE						molex	
		1 PLACE ± 0.25 ± ---		BHLOW 2005/11/15							
		0 PLACE ± ±		APPROVED BY DATE						SD-87664-031	
		ANGULAR ± 3 °		MLONG 2010/09/16							
		DRAFT WHERE APPLICABLE MUST REMAIN WITHIN DIMENSIONS		MATERIAL NO.		SEE TABLE		DOCUMENT NO.		SHEET NO.	
				SIZE		A3		THIS DRAWING CONTAINS INFORMATION THAT IS PROPRIETARY TO MOLEX INCORPORATED AND SHOULD NOT BE USED WITHOUT WRITTEN PERMISSION		2 OF 3	

PART NUMBER	P-S-P CONFIGURATION			DIM A	DIM B	DIM C	DIM D	DIM E	DIM F	DIM G	RECESSED POWER PIN LOCATION		POWER ALPHA				POWER BETA				VOID SIGNAL PINS	PACKAGING
	POWER ALPHA DC	SIGNAL	POWER BETA AC								A1	A2	A3	A4	B1	B2	B3	B4				
87664-0004	1	32	3	64.14 2.525	56.52 2.225	55.25 2.175	42.55 1.675	17.78 .700	17.78 .700	2.54 .100	A B	---- 1, 2, 3	--- .125	3.18 .225	5.72 .225	6.35 .250	7.62 .300	3.81 .150	5.72 .225	6.35 .250	A5,A6,A8,B5,B6,B8, C5,C6,C8,D5,D6,D8	TRAY
87664-0005	6	32	3	96.52 3.800	88.90 3.500	87.63 3.450	74.93 2.950	17.78 .700	17.78 .700	34.29 1.350	A B	1, 2, 3, 4, 5, 6 2, 3	6.35 .250	3.81 .150	5.72 .225	6.35 .250	7.62 .300	3.81 .150	5.72 .225	6.35 .250	A1,A6,A7,A8,B1,B6,B7,B8, C1,C6,C7,C8,D1,D6,D7,D8	TRAY



SECTION C-C  
(RECESSED)



SECTION B-B  
(STANDARD)

<b>REVISED</b> EC NO: S2014-0060 DRWN:SKANG 2013/07/18 CHKD:MLONG 2013/09/06 APPR:MLONG 2013/09/09	DESCRIPTION B4	QUALITY SYMBOLS	GENERAL TOLERANCES (UNLESS SPECIFIED)	DIMENSION STYLE	SCALE	DESIGN UNITS	THIRD ANGLE PROJECTION																		
		$\nabla_A = 0$ $\nabla_C = 0$ $\nabla_F = 0$	<table border="1"> <tr><th></th><th>mm</th><th>INCH</th></tr> <tr><td>4 PLACES</td><td>± ---</td><td>± ---</td></tr> <tr><td>3 PLACES</td><td>± ---</td><td>± ---</td></tr> <tr><td>2 PLACES</td><td>± 0.13</td><td>± ---</td></tr> <tr><td>1 PLACE</td><td>± 0.25</td><td>± ---</td></tr> <tr><td>0 PLACE</td><td>±</td><td>±</td></tr> </table>		mm	INCH	4 PLACES	± ---	± ---	3 PLACES	± ---	± ---	2 PLACES	± 0.13	± ---	1 PLACE	± 0.25	± ---	0 PLACE	±	±	MM ONLY	NTS	METRIC	
			mm	INCH																					
		4 PLACES	± ---	± ---																					
3 PLACES	± ---	± ---																							
2 PLACES	± 0.13	± ---																							
1 PLACE	± 0.25	± ---																							
0 PLACE	±	±																							
ANGULAR ± 3° DRAFT WHERE APPLICABLE MUST REMAIN WITHIN DIMENSIONS	<table border="1"> <tr><th>DRAWN BY</th><th>DATE</th></tr> <tr><td>KFL IM</td><td>2005/11/15</td></tr> <tr><th>CHECKED BY</th><th>DATE</th></tr> <tr><td>BHLOW</td><td>2005/11/15</td></tr> <tr><th>APPROVED BY</th><th>DATE</th></tr> <tr><td>MLONG</td><td>2010/09/16</td></tr> </table>	DRAWN BY	DATE	KFL IM	2005/11/15	CHECKED BY	DATE	BHLOW	2005/11/15	APPROVED BY	DATE	MLONG	2010/09/16	TITLE	EXTREME POWERPLUS RECEPT PB(AC)-S-PA(DC) CONFIG. R/A, T/H, BOARDLOCK										
DRAWN BY	DATE																								
KFL IM	2005/11/15																								
CHECKED BY	DATE																								
BHLOW	2005/11/15																								
APPROVED BY	DATE																								
MLONG	2010/09/16																								
		SEE TABLE	MATERIAL NO.	DOCUMENT NO.	SD-87664-031		SHEET NO. 3 OF 3																		