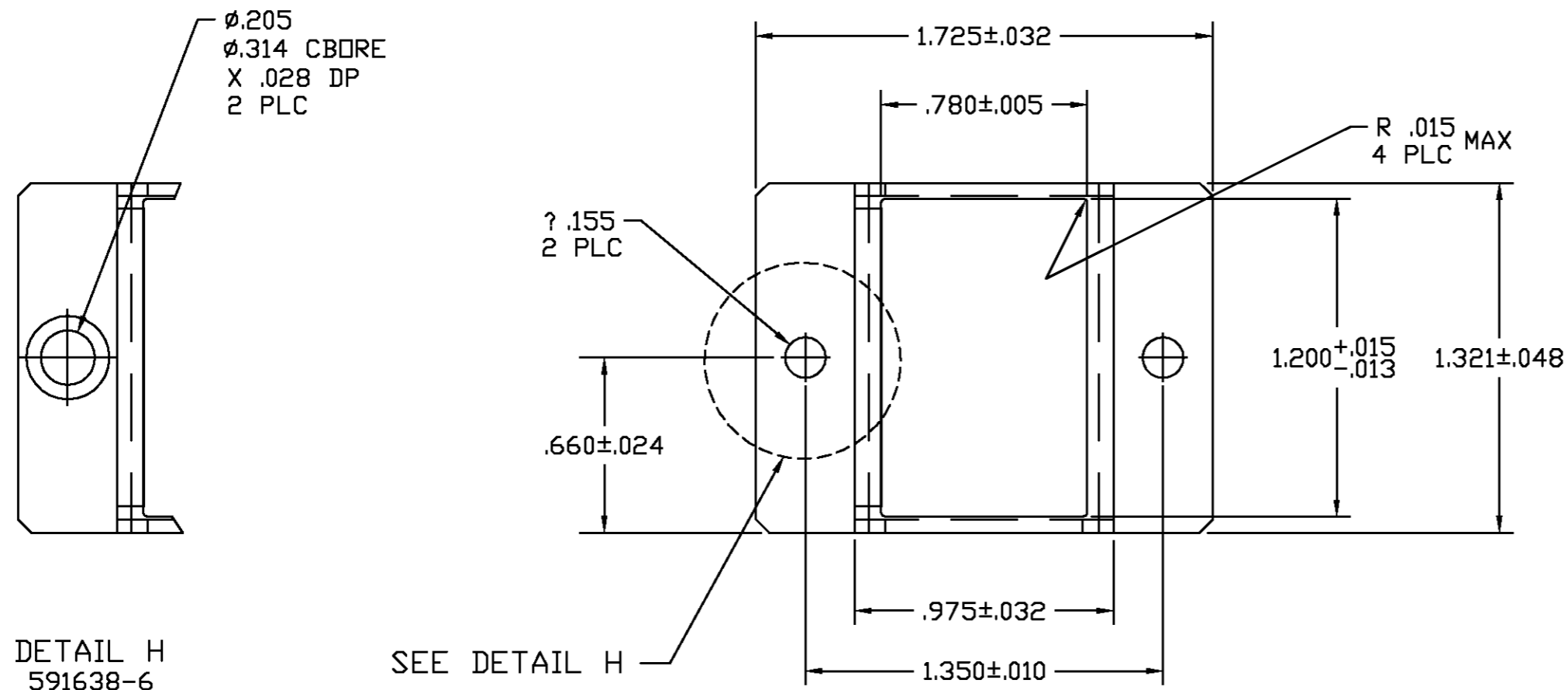


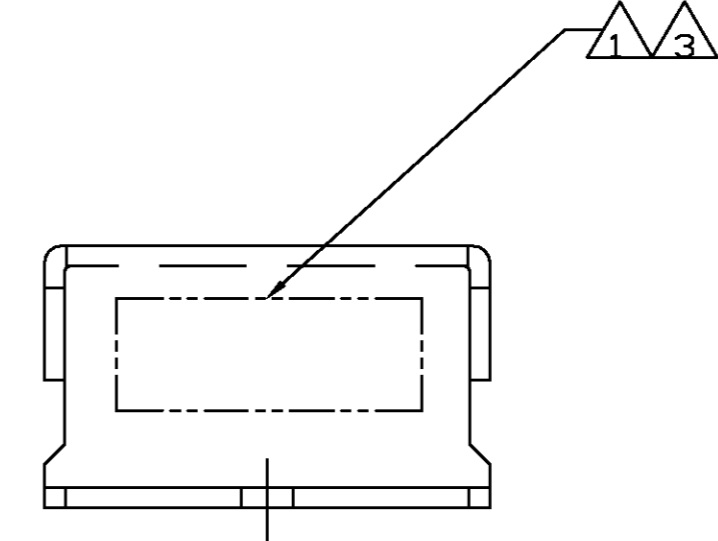
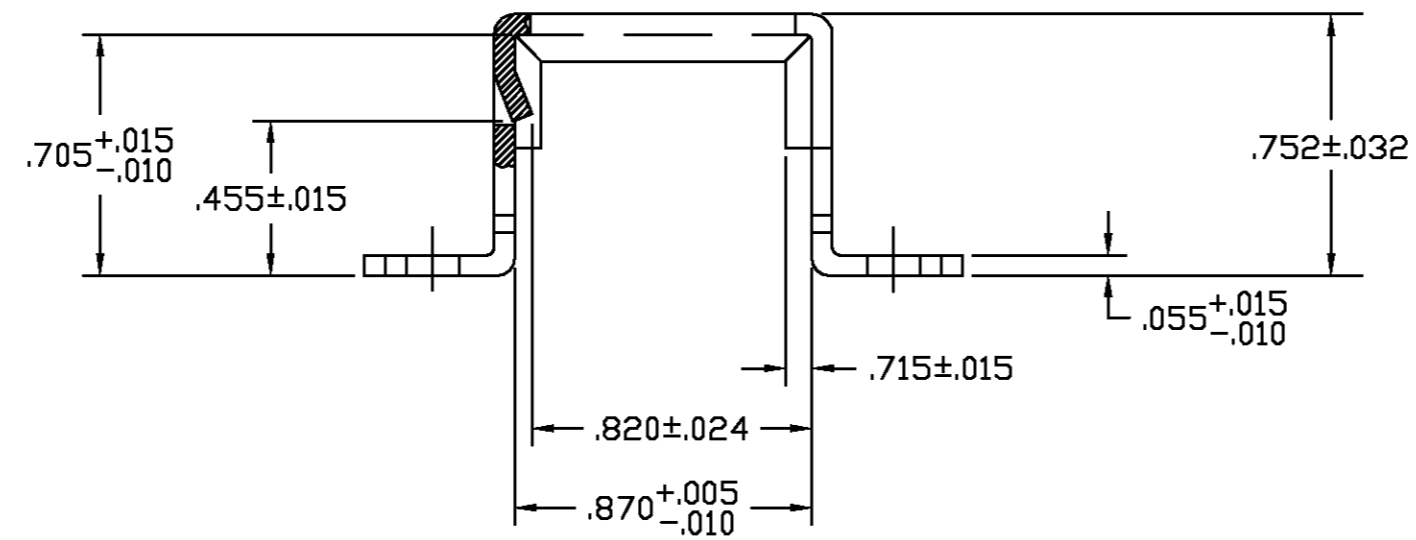
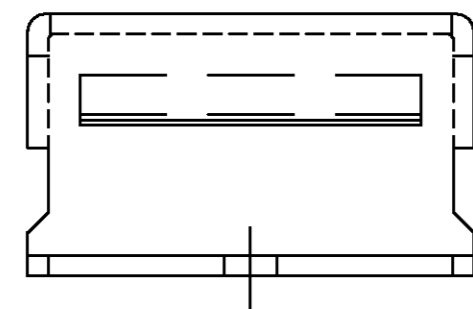
THIS DRAWING IS UNPUBLISHED. RELEASED FOR PUBLICATION .19
 © COPYRIGHT 19 BY AMP INCORPORATED, ALL RIGHTS RESERVED.

LOC		DIST		REVISIONS			
P	LTR	DATE	BY	APVD	DESCRIPTION	DATE	BY
C		6-99	CT	DM	REV PER 0600-8021-98		



DETAIL H
591638-6

SEE DETAIL H



- 1 MARK "AMP", AMP PART NO. AND DATE CODE .060 MINIMUM HIGH CHARACTERS AT APPROXIMATE AREA SHOWN.
- 2. THIS FRAME ASSEMBLY ACCOMMODATES SINGLE SIZE 12 FEED-BACK MODULE OR THREE MODULES OF SIZES 16, 20 AND 22.
- 3 MARK CUSTOMER PART NO. IF REQUIRED .060 MINIMUM HIGH CHARACTERS AT APPROXIMATE AREA SHOWN.

DESCRIPTION	FINISH	CUSTOMER NO.	PART NO.
MTG. HOLES PER DETAIL H	ELECTROLESS NICKEL PER QQ-N-290		591638-6
	BLACK ANODIZED PER MIL-A-8625 TYPE II, CLASS 2	8400-052-0000	591638-5
	BLACK ANODIZED PER MIL-A-8625 TYPE II, CLASS 2	G383962-2	591638-4
	BLACK ANODIZED PER MIL-A-8625 TYPE II, CLASS 2		591638-1

THIS DRAWING IS A CONTROLLED DOCUMENT		JUN 17 1999 C. C. THOMAS		AMP Incorporated Harrisburg PA 17105-3608	
DIMENSIONS: INCHES		CHK D. MILLER 6-17-99		NAME: BRACKET, GROUNDING MODULE, TJ	
TOLERANCES UNLESS OTHERWISE SPECIFIED:		APVD D. MILLER 6-17-99		SIZE: A2	
0 PLC ± -		PRODUCT SPEC		CAGE CODE: 00779	
1 PLC ± -		APPLICATION SPEC		DRAWING NO: C=591638	
2 PLC ± .01		WEIGHT: -		RESTRICTED TO: -	
3 PLC ± .005		SCALE: 2:1		SHEET: 1 OF 1	
4 PLC ± -		CUSTOMER DRAWING		REV: C	
ANGLES ± -					
FINISH: -					