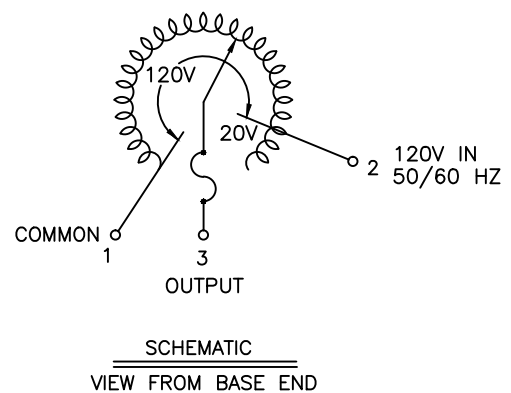
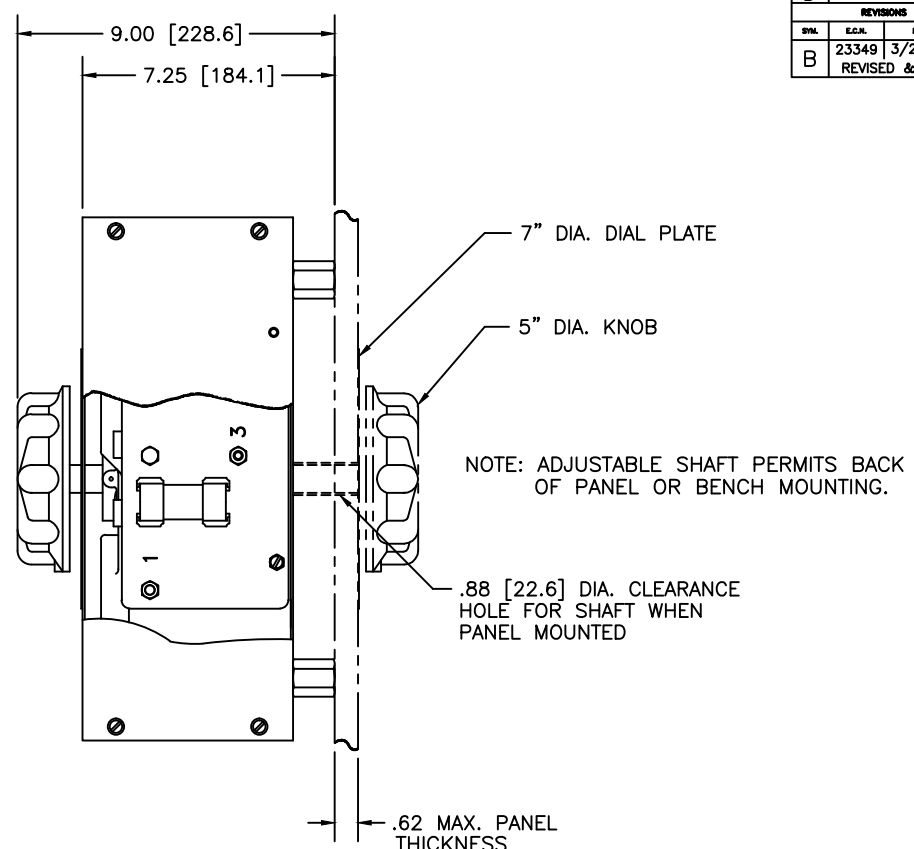
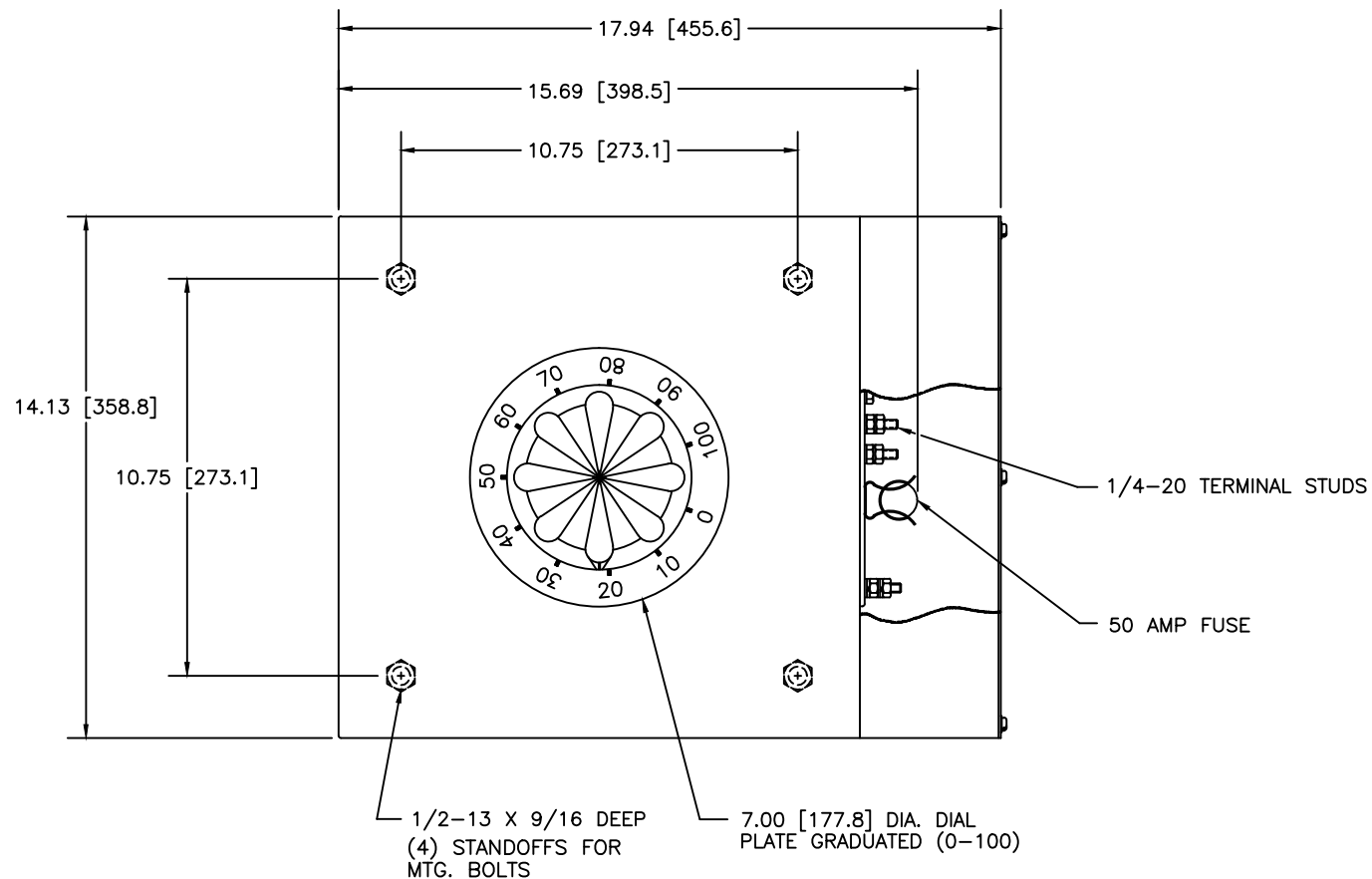


Dwg. No.		031-6006	
REVISIONS			
SYL.	E.C.N.	DATE	APVD.
B	23349	3/24/97	
REVISED & UPDATED			



SPECIFICATIONS								
WIRING	INPUT		OUTPUT			SHAFT ROTATION FOR INCREASE VOLTAGE	TERMINAL CONNECTIONS	
	VOLTS	HERTZ	VOLTS	MAX. AMPS	MAX. KVA		FOR INCREASING VOLTAGE AS VIEWED FROM ROTOR END	
SINGLE PHASE	120	50/60	0-140	50	7.0	CW	INPUT	OUTPUT
							1-2	1-3

UNLESS OTHERWISE SPECIFIED, TOLERANCE IS ±				DIMENSIONS APPLY AFTER FINISHING		TITLE: SPEC. CONTROL DRAWING VARIABLE TRANSFORMER TYPE: 5011CT		 STACO ENERGY PRODUCTS CO. A COMPANY OF AMERICA GROUP DAYTON, OHIO U.S.A.	
DECIMALS	FRACTIONS	ANGLES	DRAFT	UNITS	INCHES	DATE	SCALE		
.005	1/32	1/2	1/4	INCHES	1-1/2"	3/24/97	.5=1		
DRAWN BY: TIM RAU				DATE: 3/24/97		FIRST USED ON: 3/24/97		DO NOT SCALE DWG.	
CHECKER:				DATE:		WEDGE APPROVAL: 57 LBS.		CODE IDENT. NO. 83000	
ENGINEER:				DATE:		SCALE: .5=1		SHEET 1 OF 1	