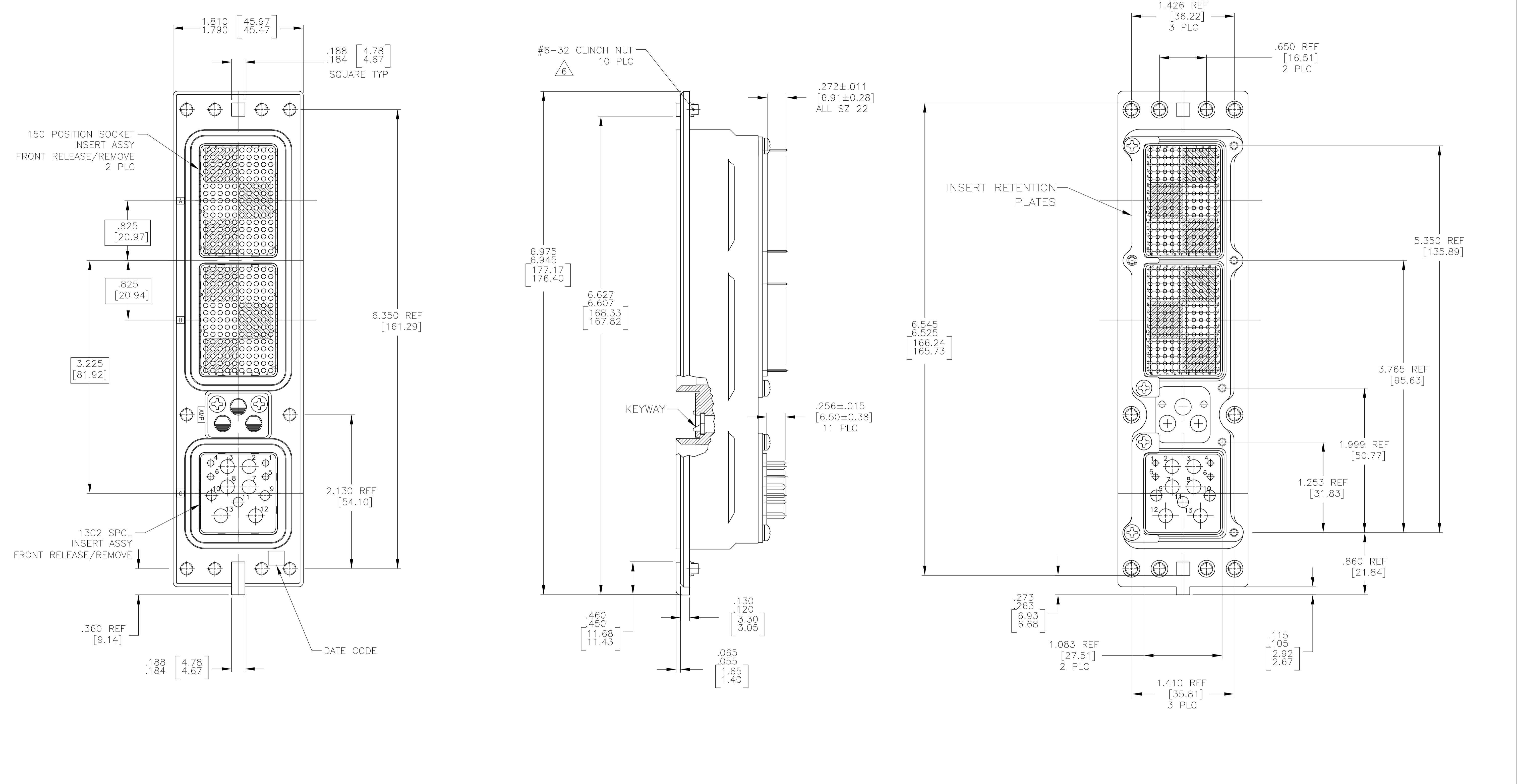


REVISONS		DATE	DWN	APVD
P	LTR	DESCRIPTION		
B		REVISED PER ECO-09-010492	19MAY2009	CT KT

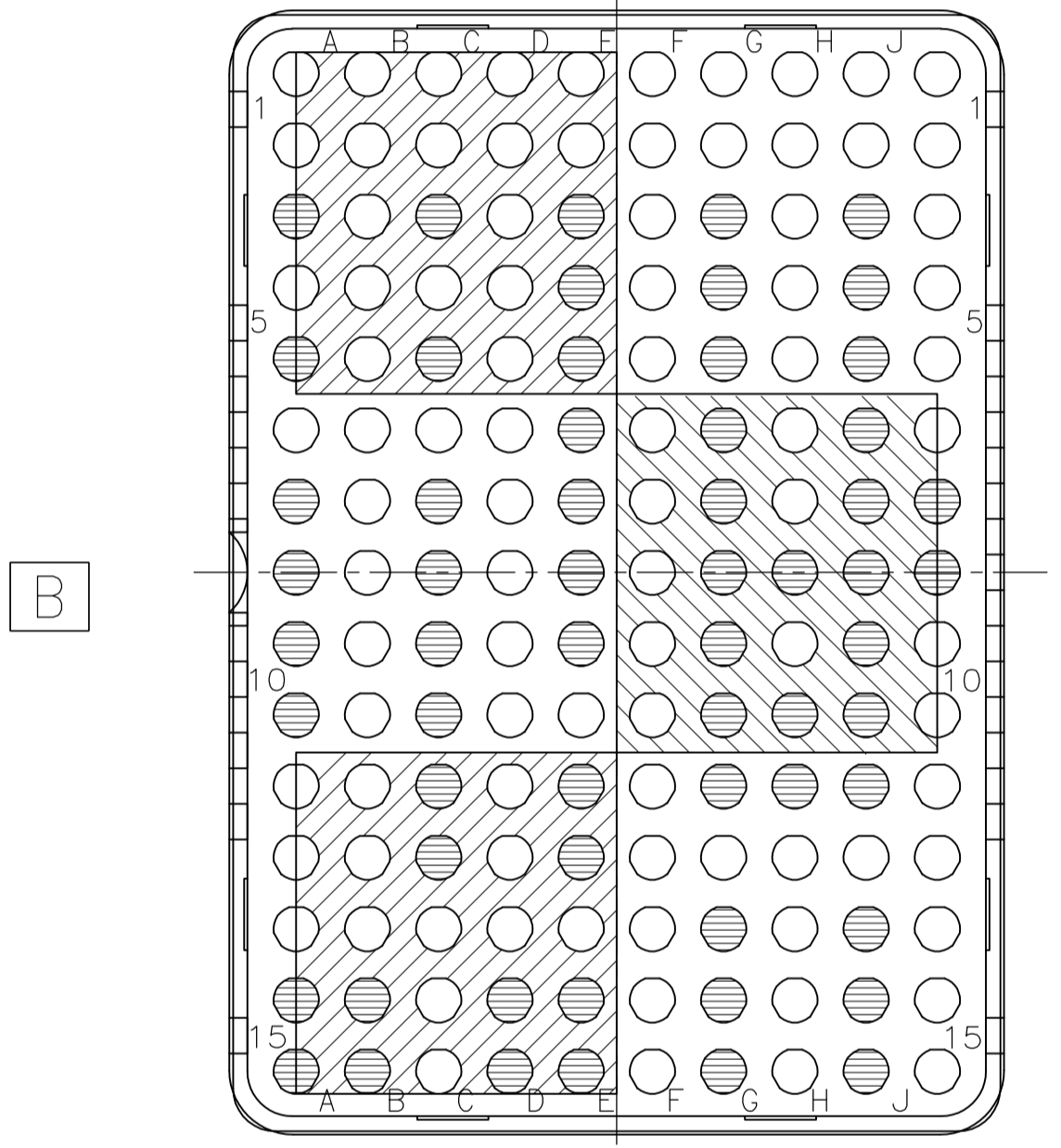
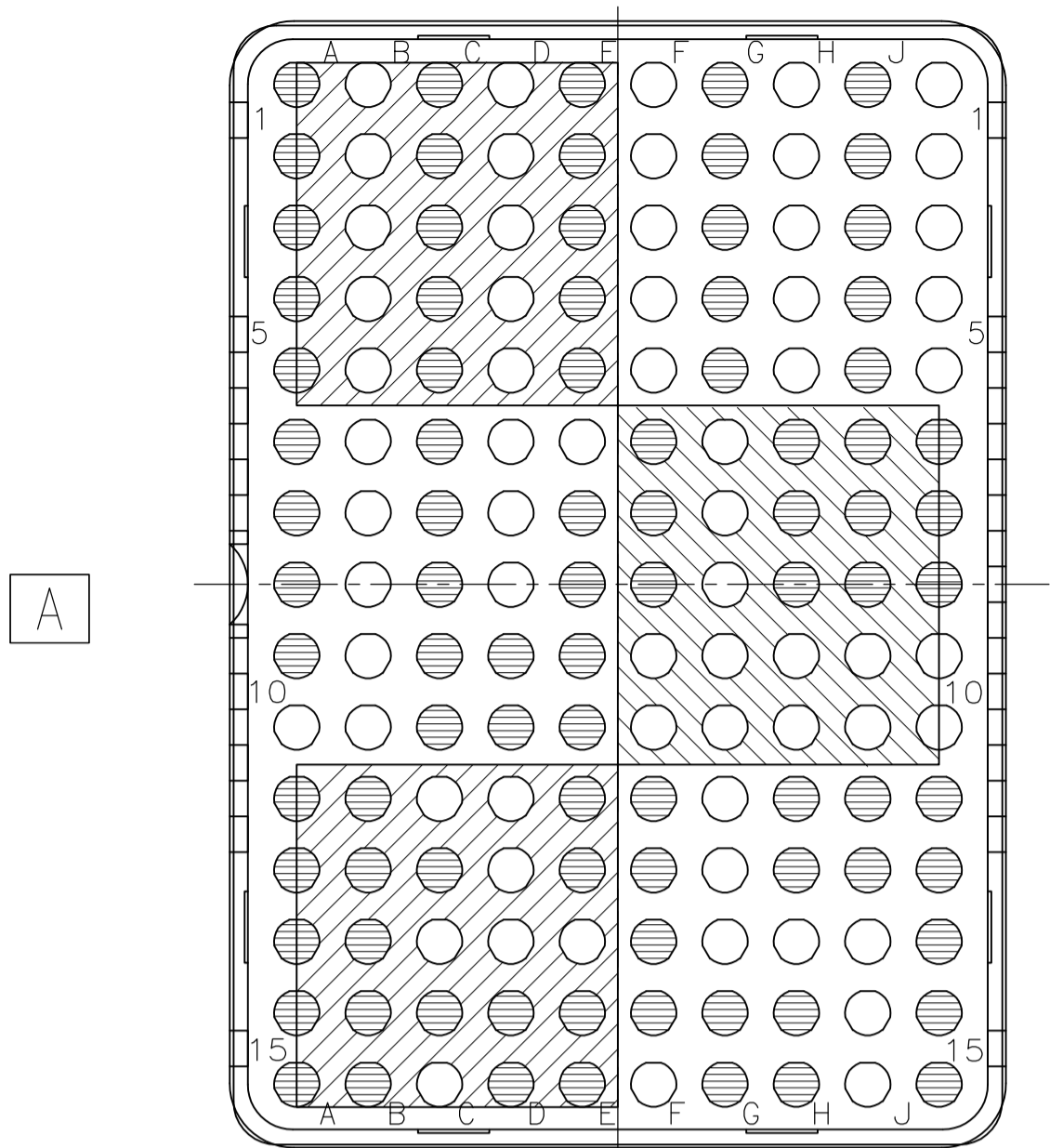


- CONNECTOR DIMENSIONS ARE PER ARINC 600 SPECIFICATION.
- CONNECTOR IS SUPPLIED WITH A DUST COVER INSTALLED; NOT SHOWN.
- KEYING SHOWN IN POSITION "01" FOR ILLUSTRATION ONLY. CONNECTORS SHIPPED WITH KEYING INSTALLED IN POSITION PER TABLE. FOR POSITION "00" KEYING HARDWARE SHIPPED UNASSEMBLED.
- SEE SHEET #2 FOR SELECTIVE CONTACT LOADING DETAIL.
- CONTACTS NOT SHOWN IN FRONT & REAR VIEWS FOR CLARITY.
- STEEL CLINCH NUTS ELLIPTICALLY DEFORMED COATED WITH A DRY MOLY LUBE FILM.

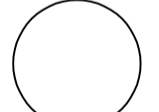
COMPONENT	MATERIAL	FINISH
SHELL	DIE CAST ALUMINUM PER ASTM-B-85	ELECTROLESS NICKEL PER MIL-C-26074
INSERT RETENTION PLATES	ALUMINUM ALLOY PER ASTM-B-209	CHROMATE PER MIL-DTL-5541
SCREWS AND LOCKWASHERS	STEEL OR STAINLESS STEEL	CHROMATE OVER ZINC OR PASSIVATED
POLARIZING KEYS	ZINC ALLOY PER ASTM-B-86	-
POLARIZING KEY RETAINING PLATE	ALUMINUM ALLOY PER ASTM-B-209	BLUE ANODIZED PER MIL-A-8625
INSERTS	THERMOSET OR THERMOPLASTIC PPS PER MIL-M-24519	-

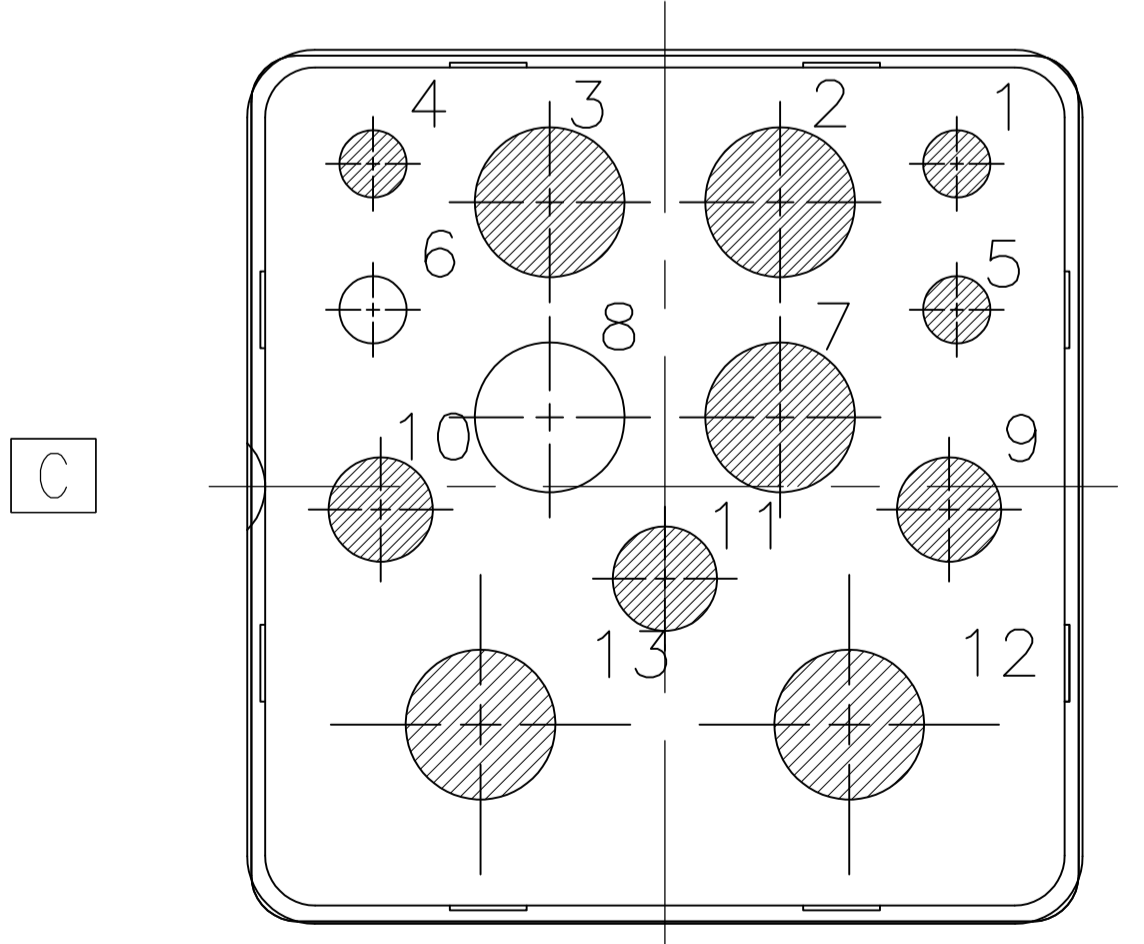
"00"	MODULE A 211431-4 (SZ 22 SOCKET CONTACT; QTY=87)	1757763-1	
	MODULE B 211431-4 (SZ 22 SOCKET CONTACT; QTY=60)		
KEYING POSITION	MODULE C 1-448140-8 (SZ 12 POSTED PIN CONTACT; QTY=5) 1-448139-4 (SZ 16 POSTED PIN CONTACT; QTY=3) 1-448138-2 (SZ 20 POSTED PIN CONTACT; QTY=3)	PART NUMBER	
	CONTACTS INCLUDED AND INSTALLED (NO FILLERS PLUGS INCLUDED OR INSTALLED)		
	THIS DRAWING IS A CONTROLLED DOCUMENT.		DWN: C.C.THOMAS 3-6-09 CHK: K.THACKSTON 3-6-09 APVD: K.THACKSTON 3-6-09 NAME: K.THACKSTON PRODUCT SPEC: RCPT ASSY, SIZE 2, ARINC 600 (150/150/13C2 SPCL) APPLICATION SPEC: - SIZE: A1 CASE CODE: 00779 DRAWING NO: 1757763 WEIGHT: - CUSTOMER DRAWING: - SCALE: 3:2 SHEET: 1 OF 2 REV: B
	DIMENSIONS: INCHES TOLERANCES UNLESS OTHERWISE SPECIFIED: 0 PLC ± - 1 PLC ± - 2 PLC ± - 3 PLC ± - 4 PLC ± - ANGLES ± - MATERIAL: SEE TABLE FINISH: SEE TABLE		Tyco Electronics Corporation Harrisburg, Pa 17105-3608 Tyco Electronics

LOC		DIST		REVISIONS			
P	LTR	DESCRIPTION	DATE	DNW	APVO		
-	-	SEE SHEET 1	-	-	-		



 = CONTACT INSTALLED

 = OPEN



MATING FACE VIEW
SCALE 4:1

THIS DRAWING IS A CONTROLLED DOCUMENT.		DNW C.C.THOMAS 3-6-09	Tyco Electronics Corporation Harrisburg, Pa 17105-3608																			
DIMENSIONS: INCHES		CHK K.THACKSTON 3-6-09	NAME K.THACKSTON 3-6-09																			
TOLERANCES UNLESS OTHERWISE SPECIFIED:		PRODUCT SPEC																				
<table border="0"> <tr><td>0. PLC</td><td>±</td><td>-</td></tr> <tr><td>1. PLC</td><td>±</td><td>-</td></tr> <tr><td>2. PLC</td><td>±</td><td>-</td></tr> <tr><td>3. PLC</td><td>±</td><td>-</td></tr> <tr><td>4. PLC</td><td>±</td><td>-</td></tr> <tr><td>ANGLES</td><td>±</td><td>±</td></tr> </table>		0. PLC	±	-	1. PLC	±	-	2. PLC	±	-	3. PLC	±	-	4. PLC	±	-	ANGLES	±	±	APPLICATION SPEC		
0. PLC	±	-																				
1. PLC	±	-																				
2. PLC	±	-																				
3. PLC	±	-																				
4. PLC	±	-																				
ANGLES	±	±																				
MATERIAL SEE TABLE	FINISH SEE TABLE	WEIGHT -	SIZE A1	RESTRICTED TO -																		
CUSTOMER DRAWING		SCALE 3:2	SHEET 2 OF 2	REV B																		