

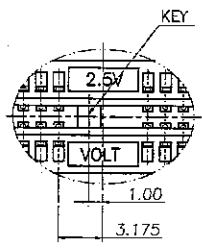
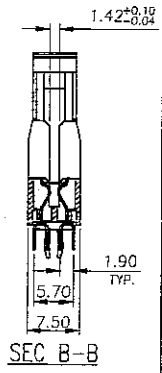
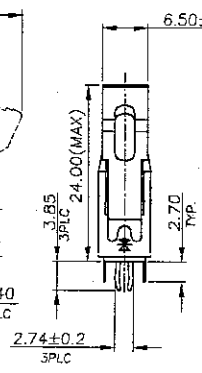
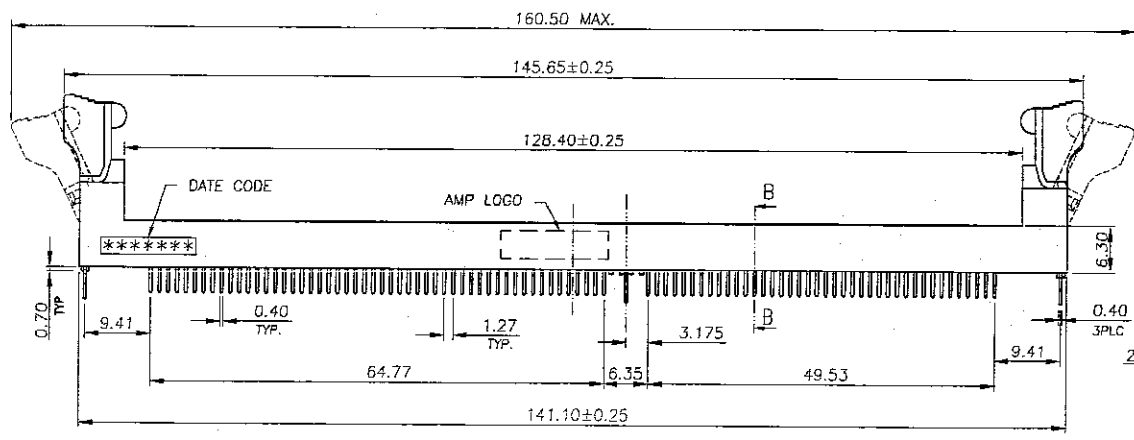
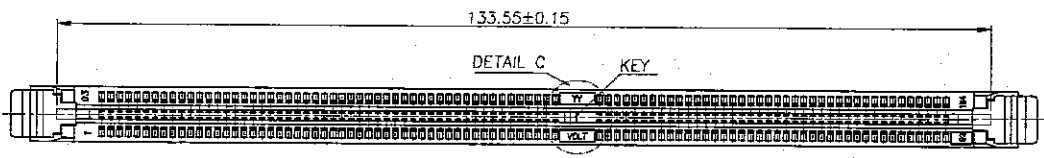
NUMBER C-1734215

3RD ANGLE PROJECTION

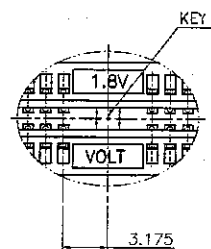
METRIC

THIS INFORMATION IS CONFIDENTIAL AND IS DISCLOSED TO YOU ON CONDITION THAT YOU WILL NOT DISCLOSE IT TO ANY OTHER PERSONNEL WITHOUT WRITTEN AUTHORIZATION FROM AMP (TWAIN) LTD. DIMENSION IN MILLIMETERS. DO NOT SCALE PRINT.

- NOTES :
- MATERIAL :
    - HOUSING : THERMOPLASTIC(PA46), w/ 30% G/F, UL 94 V-0, COLOR: SEE TABLE.
    - EXTRACTOR : THERMOPLASTIC, w/ 30% G/F, COLOR: WHITE;  $\Delta$  BLUE(2945C)
    - CONTACTS : PHOSPHOR BRONZE
    - BOARDLOCK : BRASS
  - FINISH:
    - CONTACT:
      - GOLD PLATING (SEE TABLE) ON CONTACT AREA
      - 100 $\mu$  MIN. MATTE TIN PLATING ON SOLDER TAIL AREA
      - 50 $\mu$  MIN. NICKEL UNDERPLATING OVERALL
    - BOARDLOCK:
      - 100 $\mu$  MIN. MATTE TIN PLATING
      - 50 $\mu$  MIN. NICKEL UNDERPLATING OVERALL
  - WAVE SOLDER CAPABLE TO 265°C PER TYCO SPEC. 109-202, CONDITION B.



DETAIL C (2.5V)  
SCALE 2:1



DETAIL C (1.8V)  
SCALE 2:1

PHOSPHOR BRONZE VERSION OF CONTACT MATERIAL

HSG COLOR	VOLTAGE	GOLD PLATED	PART NUMBER
APPLE GREEN 382U	2.5V DC VIEW B	GOLD FLASH	9-1734215-3
	1.8V DC VIEW A	GOLD FLASH	9-1734215-1
YELLOW 115C	2.5V DC VIEW B	GOLD FLASH	8-1734215-3
	1.8V DC VIEW A	GOLD FLASH	8-1734215-1
BLUE GREEN 338U	2.5V DC VIEW B	GOLD FLASH	5-1734215-3
	1.8V DC VIEW A	GOLD FLASH	5-1734215-1
PURPLE 2726U	2.5V DC VIEW B	GOLD FLASH	4-1734215-3
	1.8V DC VIEW A	GOLD FLASH	4-1734215-1
RED 193C	2.5V DC VIEW B	15 $\mu$	2-1734215-4
	1.8V DC VIEW A	GOLD FLASH	2-1734215-3
		GOLD FLASH	2-1734215-1
BLUE 2945C	2.5V DC VIEW B	15 $\mu$	1-1734215-4
	1.8V DC VIEW A	GOLD FLASH	1-1734215-3
		GOLD FLASH	1-1734215-1
BLACK	2.5V DC VIEW B	GOLD FLASH	$\Delta$ 1734215-5
	1.8V DC VIEW A	GOLD FLASH	1734215-4
		GOLD FLASH	1734215-3
		GOLD FLASH	1734215-1

TOLERANCES UNLESS OTHERWISE SPECIFIED:	DWN	S. HOU 22-MAY-2005	TYCO HOLDINGS (BERMUDA) VII LTD. TAIWAN BRANCH
0 PLC ±	CHK	W.J. KE	NAME
1 PLC ±0.3		22-MAY-2005	
2 PLC ±0.2			
3 PLC ±			
ANGLES ±0.5°			
MATERIAL	APVD	W.J. KE	SOCKET ASSEMBLY, DIMM 2P LOW INSERTION FORCE, 184 POSITION
SEE NOTE	PRODUCT SPEC	22-MAY-2005	109-57401
	QUALIFICATION TEST REPORT		501-57433
	WEIGHT		8.9 GRAM

A	REVISED	ECR-06-010456	SH WK	22MAY 2005	FINISH
O	FIRST RELEASED	FZ00-0010-05	SH WK	17JAN 2005	SEE NOTE
LTR	REVISION RECORD	ECN	DR CHK	DATE	

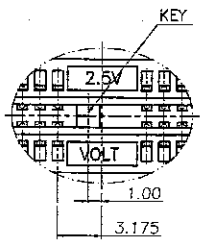
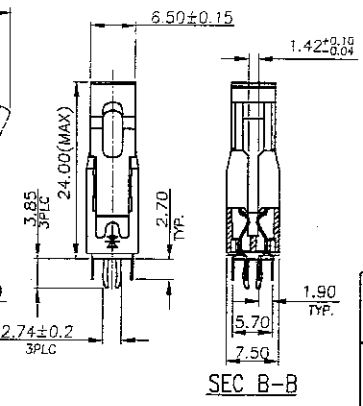
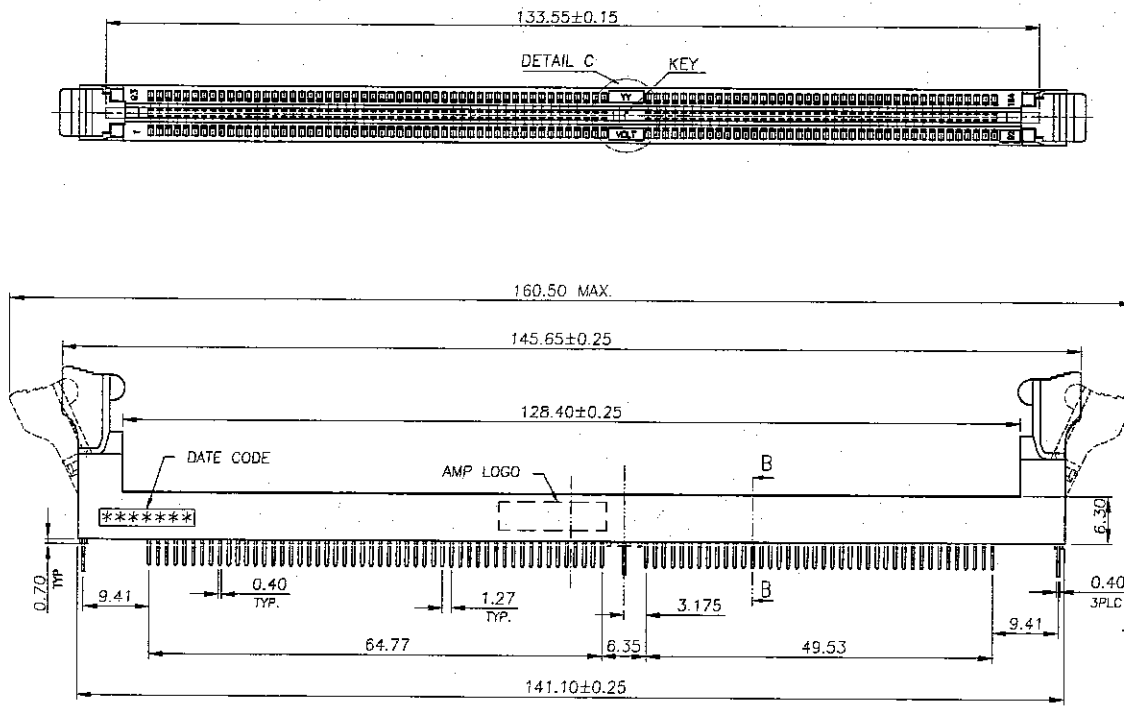
NUMBER C-1734215

3RD ANGLE PROJECTION

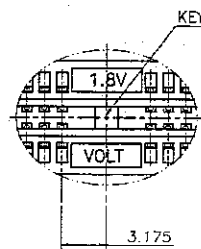
METRIC

THIS INFORMATION IS CONFIDENTIAL AND IS DISCLOSED TO YOU ON CONDITION THAT YOU WILL NOT REPRODUCE OR DISSEMINATE IT WITHOUT WRITTEN AUTHORIZATION FROM AMP (TAINAN) LTD. DIMENSION IN MILLIMETERS. DO NOT SCALE PRINT.

- NOTES :
- MATERIAL :
    - HOUSING : THERMOPLASTIC(PA46) W/ 30% G/F, UL 94 V-0, COLOR: SEE TABLE.
    - EXTRACTOR : THERMOPLASTIC, W/ 30% G/F, COLOR: WHITE.
    - CONTACTS : BRASS
    - BOARDLOCK : BRASS
  - FINISH:
    - CONTACT:
      - GOLD PLATING (SEE TABLE) ON CONTACT AREA
      - 100μ" MIN. MATTE TIN PLATING ON SOLDER TAIL AREA,
      - 50μ" MIN. NICKEL UNDERPLATING OVERALL
    - BOARDLOCK:
      - 100μ" MIN. MATTE TIN PLATING
      - 50μ" MIN. NICKEL UNDERPLATING OVERALL,
  - WAVE SOLDER CAPABLE TO 265°C PER TYCO SPEC. 109-202, CONDITION B.



DETAIL C (2.5V)  
SCALE 2:1



DETAIL C (1.8V)  
SCALE 2:1

BRASS VERSION OF CONTACT MATERIAL

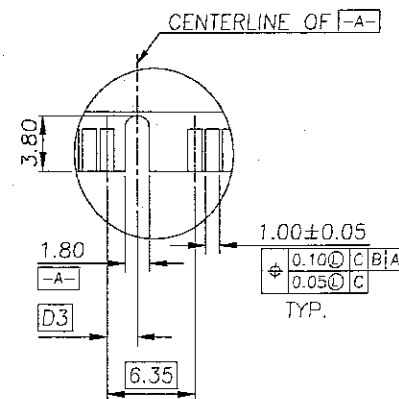
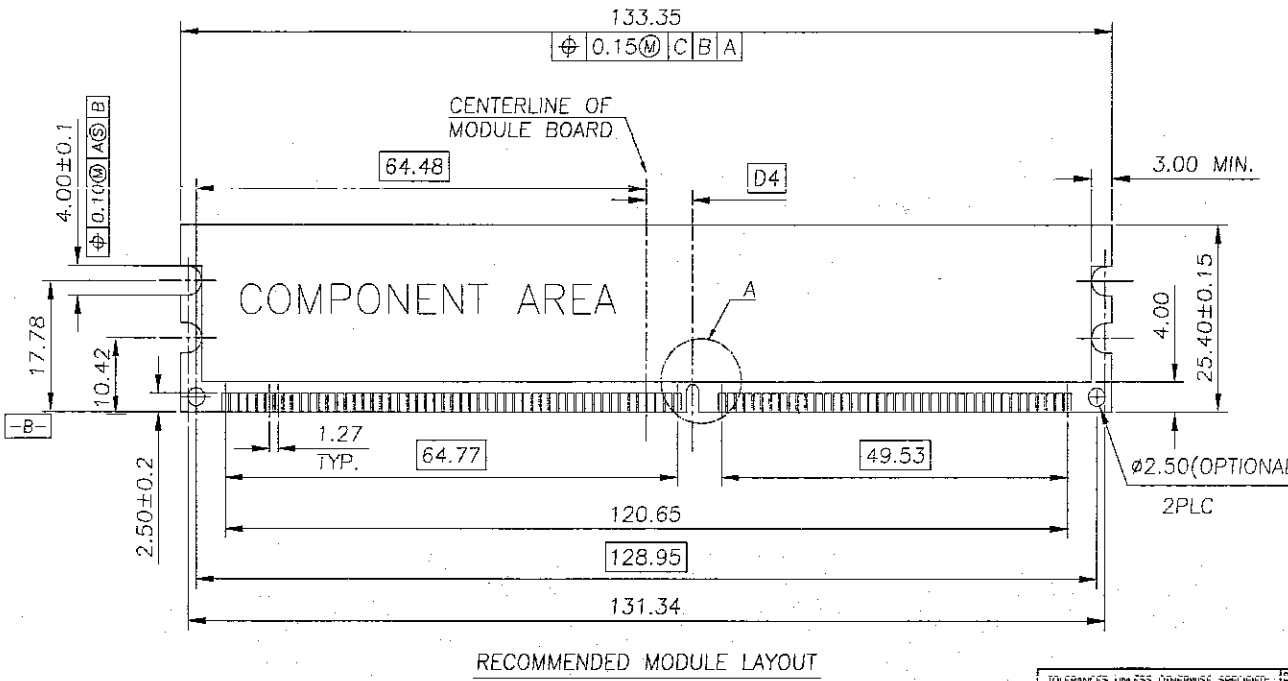
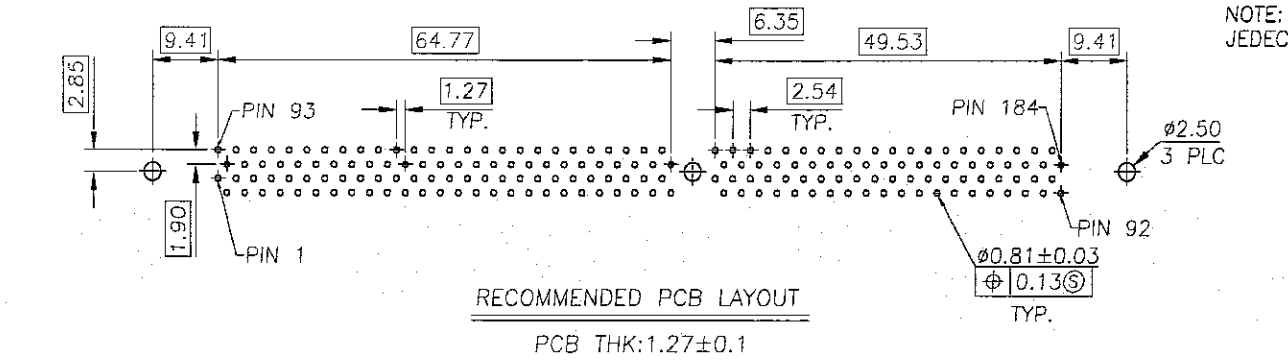
APPLE GREEN 382U	2.5V DC VIEW B	GOLD FLASH	7-1734215-3
	1.8V DC VIEW A	GOLD FLASH	7-1734215-1
YELLOW 115C	2.5V DC VIEW B	GOLD FLASH	6-1734215-3
	1.8V DC VIEW A	GOLD FLASH	6-1734215-1
PURPLE 2726U	2.5V DC VIEW B	GOLD FLASH	4-1734215-7
	1.8V DC VIEW A	GOLD FLASH	4-1734215-5
BLACK	2.5V DC VIEW B	15μ"	3-1734215-4
		GOLD FLASH	3-1734215-3
	1.8V DC VIEW A	15μ"	3-1734215-2
RED 193C	2.5V DC VIEW B	GOLD FLASH	2-1734215-7
	1.8V DC VIEW A	GOLD FLASH	2-1734215-5
	2.5V DC VIEW B	GOLD FLASH	1-1734215-7
BLUE 301C	1.8V DC VIEW A	GOLD FLASH	1-1734215-5
	HSG COLOR	VOLTAGE	GOLD PLATED PART NUMBER

TOLERANCES UNLESS OTHERWISE SPECIFIED:	DWN	S. HOU	TYCO	TYCO HOLDINGS (BERMUDA)
0 PLC ±		22-MAY-2006	Electronics	VII LTD. TAIWAN BRANCH
1 PLC ±0.3	CHK	W.J. KE	NAME	
2 PLC ±0.2		22-MAY-2006		
3 PLC ±				
ANGLES ±0.5°				
MATERIAL	APVD	W.J. KE	SOCKET ASSEMBLY, DIMM 2P	
SEE NOTE		22-MAY-2006	LOW INSERTION FORCE, 184	
	PRODUCT SPEC		POSITION	
	---			
FINISH	QUALIFICATION TEST REPORT	LOC DW	SIZE A3	DRAWING NO C-1734215
SEE NOTE	---	SCALE		REV A
	WEIGHT			SHEET
	5.9 GRAM			2 OF 4

SEE SHEET 1				
LTR	REVISION RECORD	ECN	DR	DATE
			CHK	

CUSTOMER DRAWING

NOTE:  
JEDEC SPEC MO-206 FOR COMPLETE MODULE



7.62	3.175	1.8V
6.62	2.175	2.5V
D4	D3	VOLTAGE
DIMENSION		

TOLERANCES UNLESS OTHERWISE SPECIFIED: 0 PLC ±0.3 1 PLC ±0.3 2 PLC ±0.2 3 PLC ±0.2 ANGLES ±3°	CHK W.J. KE 22-MAY-2008	S. HOU 22-MAY-2008	<b>tyco</b> Electronics TYCO HOLDINGS (BERMUDA) VII LTD. TAIWAN BRANCH
MATERIAL	APVD W.J. KE 22-MAY-2008	NAME	
FINISH	APPLICATION SPEC	PRODUCT SPEC	SOCKET ASSEMBLY, DIMM 2P LOW INSERTION FORCE, 184 POSITION
WEIGHT	SCALE	LOC SIZE DW A3 C-1734215	REV A
SEE SHEET 1		SHEET 3 OF 4	

LTR	REVISION RECORD	ECN	DWG	CHK	DATE
-----	-----------------	-----	-----	-----	------

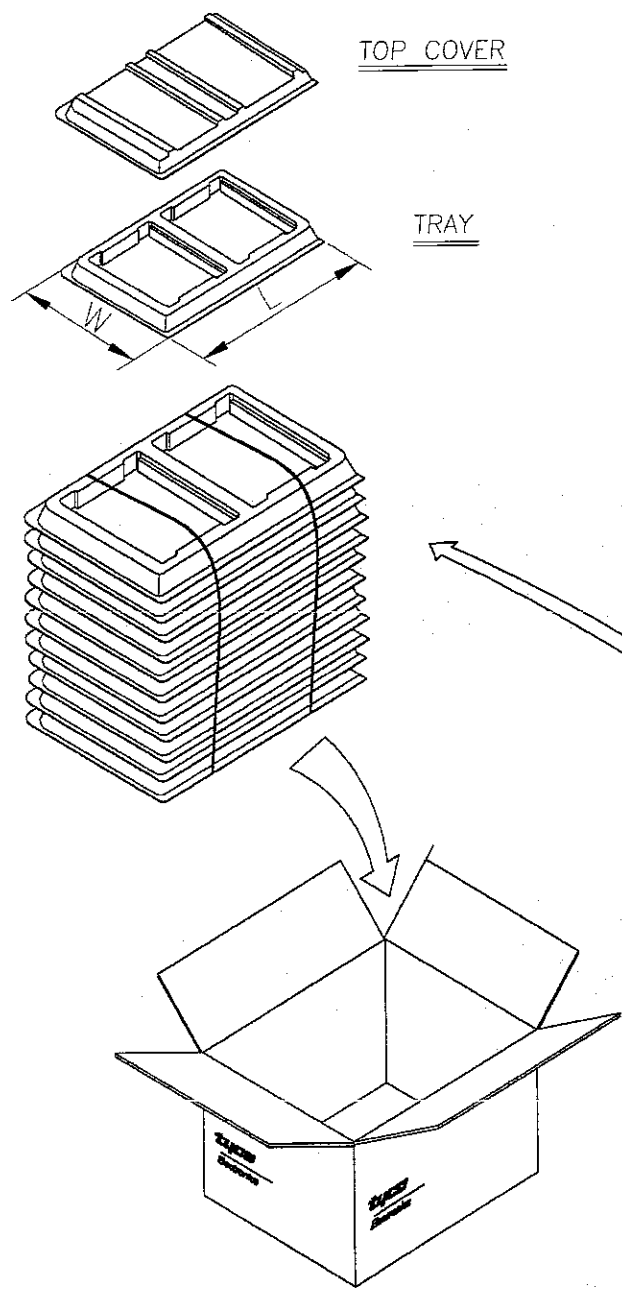
NUMBER C-1734215

3RD ANGLE PROJECTION

METRIC

THIS INFORMATION IS CONFIDENTIAL AND IS DISCLOSED TO YOU ON A CONDITION THAT YOU WILL NOT REPRODUCE IT OR DISCLOSE IT TO ANY OTHER PERSON WITHOUT THE WRITTEN AUTHORIZATION FROM AMP (TAIWAN) LTD. DIMENSION IN MILLIMETERS. DO NOT SCALE PRINT.

PRINT DW



- NOTES :
1. MATERIAL :
    - 1.1 TRAY : PVC
    - 1.2 SHIPPING CARTON : CORRUGATED FIBERBOARD
  2. DIMENSION :
    - 2.1 TRAY : L=363, W=255, H=33
    - 2.1 SHIPPING CARTON : L=380, W=270, H=340
  3. QUANTITY :
    - 3.1 PRIMARY PACKING: 50 PCS/TRAY
    - 3.2 SECONDARY PACKING: 10 TRAY/CARTON(500PCS)
  4. WEIGHT :
    - 4.1 NET WEIGHT : 4.45Kg
    - 4.2 GROSS WEIGHT : 6.478Kg

SEE SHEET 1.		ECN	DR	DATE
LTR	REVISION RECORD		CHK	

TOLERANCES UNLESS OTHERWISE SPECIFIED:		DWN	S. HOU	TYCO HOLDINGS (BERMUDA) VII LTD. TAIWAN BRANCH
0 PLC	#		22-MAY-2006	
1 PLC	#	CHK	W.J. KE	NAME <b>Electronics</b>
2 PLC	#		22-MAY-2006	
3 PLC	#		W.J. KE	SOCKET ASSEMBLY, DIMM 2P LOW INSERTION FORCE, 184 POSITION
ANGLES	#		22-MAY-2006	
MATERIAL	SEE NOTE	APVD	W.J. KE	LOC SIZE DRAWING NO DW A3 C-1734215
		PRODUCT SPEC	22-MAY-2006	
FINISH		APPLICATION SPEC		SCALE
		WEIGHT		SHEET
				4 OF 4

8 7 6 5 4 3 2 1 CUSTOMER DRAWING