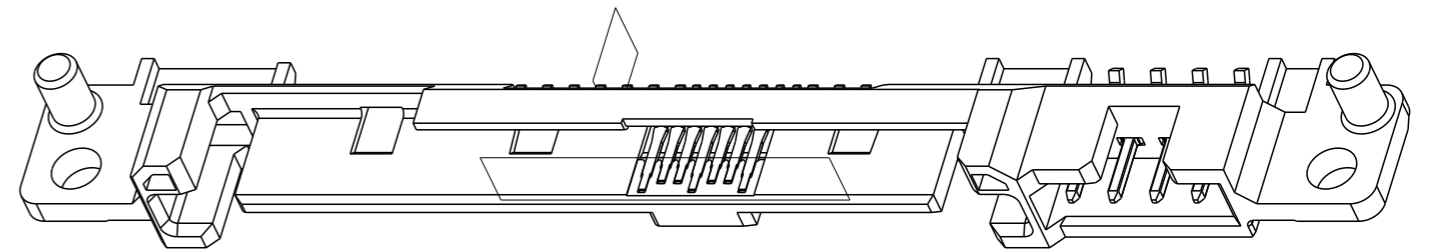
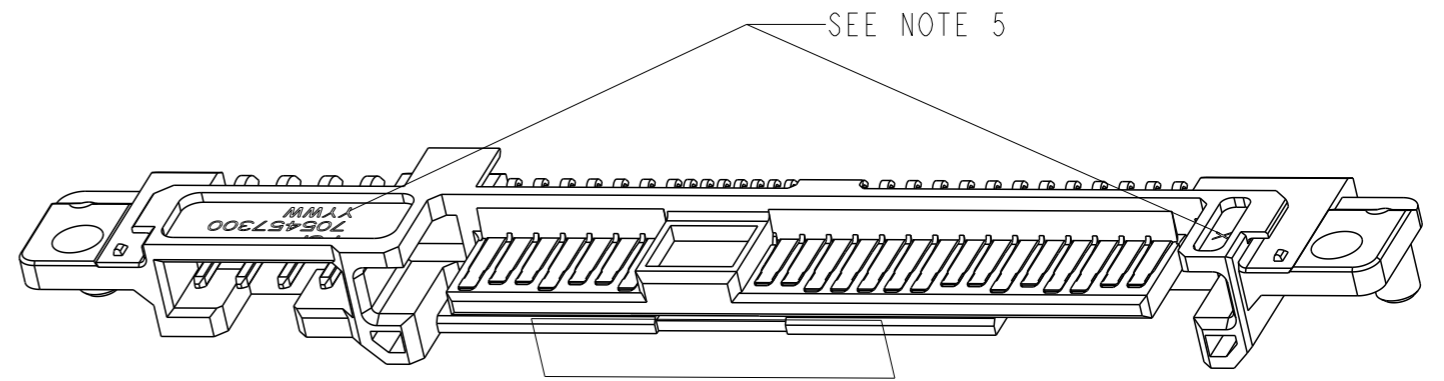
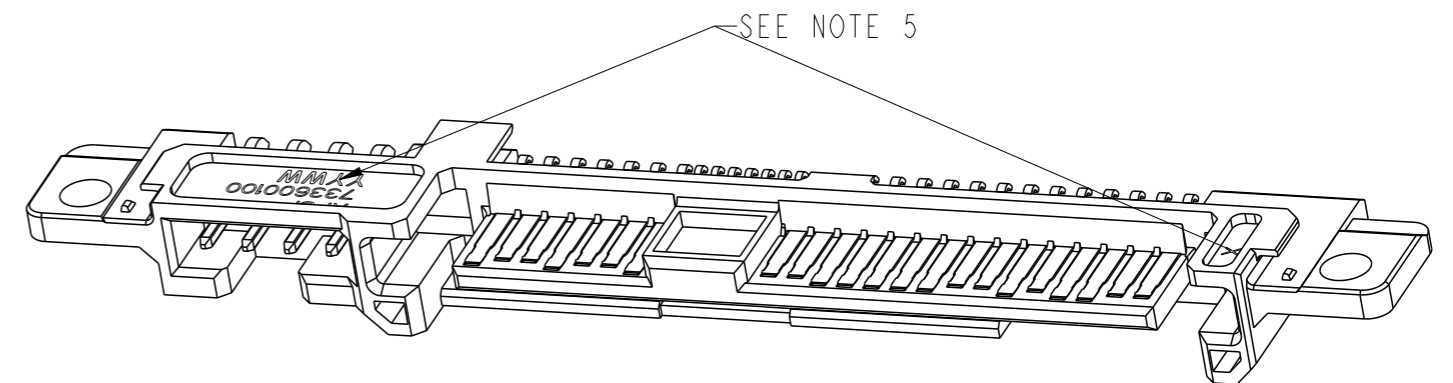


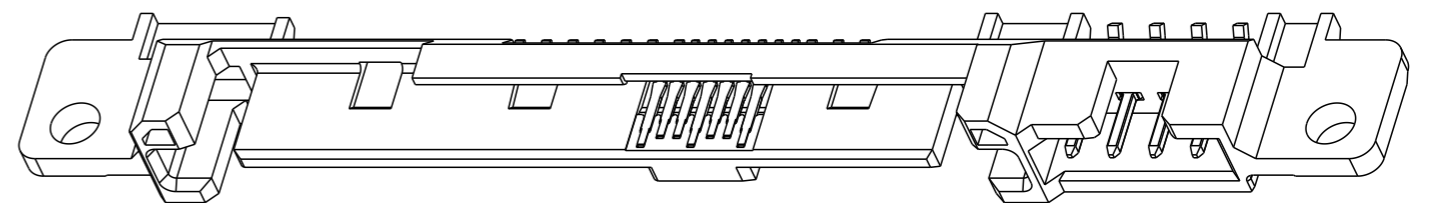
PRODUCT NO.	CUSTOMER P/N.	PACKAGING
10128658-001LF	705457300	TUBE
10128658-002LF	733600100	



10128658-001LF



SCALE 3:1



SCALE 3:1

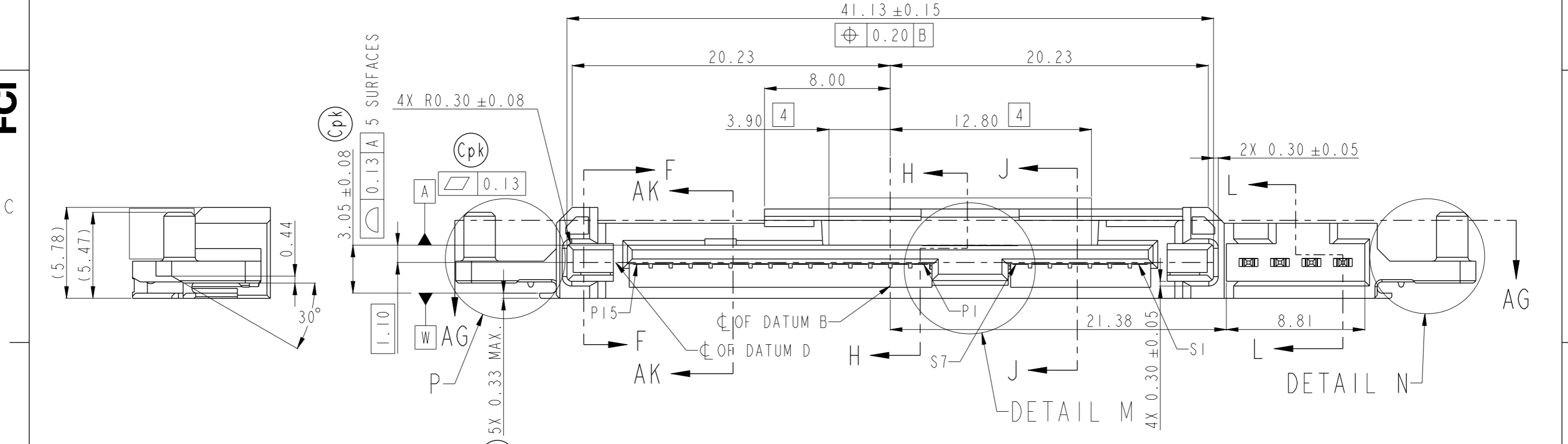
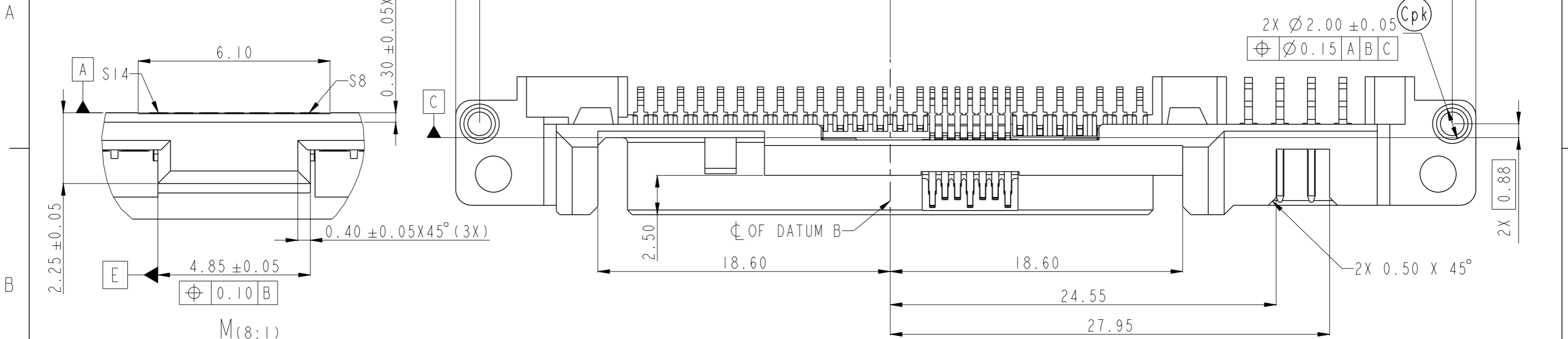
10128658-002LF

- NOTES: UNLESS OTHERWISE SPECIFIED
- APPLICABLE INDUSTRY SPECIFICATIONS:
 - SFF8680 INTERNAL SERIAL ATTACHMENT CONNECTOR
 - MATERIALS:
 - HOUSING: HIGH TEMPERATURE THERMOPLASTIC, COLOUR: BLACK, UL94V-0.
 - CONTACT, JUMPER AND GROUND CONTACT: COPPER ALLOY
 - PLATING:
 - CONTACT: 0.76um MIN. Au ON CONTACT AREA, 1.91um MIN. MATTE Sn(LEAD-FREE) ON SOLDER TAILS 1.27um MIN. / 2.54um MAX. NICKEL BARRIER BETWEEN CONTACT AREA AND SOLDER TAIL AREA.
 - JUMPER: 0.076um MIN. Au ON CONTACT AREA, 1.91um MIN. MATTE Sn(LEAD-FREE) ON SOLDER TAILS 1.27um MIN. / 2.54um MAX. Ni UNDERPLATE OVERALL,
 - GROUND CONTACT: 1.27um MIN. Ni UNDERPLATE OVERALL
 - PIN RETENTION FORCE: 318gf MIN. PER PIN BEFORE AND AFTER REFLOW
 - KEEP-OUT AREA DEFINED FOR HOUSING AND PINS. PINS SHOULD BE RECESSED WITHIN HOUSING TO PREVENT SHORTING TO BASE DECK
 - CUSTOMER PARTNUMBER, VENDOR LOGO, CAVITY NUMBER AND DATECODE TO BE SHOWN AT THIS AREA
 - PRODUCT SPECIFICATION: GS-12-1120
 - PACKAGING SPECIFICATION: GS-14-450
 - THIS PRODUCT MEETS EUROPEAN UNION DIRECTIVES AND OTHER COUNTRY REGULATIONS AS DESCRIBED IN GS-47-0004
 - THE HOUSING WILL WITHSTAND EXPOSURE TO 260°C PEAK TEMPERATURE FOR 10 SECONDS IN A CONVECTION, INFRA-RED OR VAPOR PHASE REFLOW OVEN
 - A SYMBOL WILL BE NEXT TO ANY DIMENSION, VIEW OR NOTE WHICH HAS BEEN MODIFIED WITH THE CURRENT DRAWING REVISION

spec ref	dr	Jeffrey Lim	2014/04/01	projection	MM	size	A3	scale	3:1
tolerance std	eng	Jeffrey Lim	2018/01/05		← →	ecn no	ELX-S-28927-1	rel level	Released
ASME Y14.5	chr	-	-						
surface	linear	0.X	±	Amphenol FCI	2.5" 12G SAS PLUG	dwg no	10128658	rev	B
		0.XX	±0.10						
		0.XXX	±0.100						
	angular	0°	±2°	cat. no.	-	Product - Customer Drw	sheet 1 of 8		

PRODUCT NO.
SEE TABLE

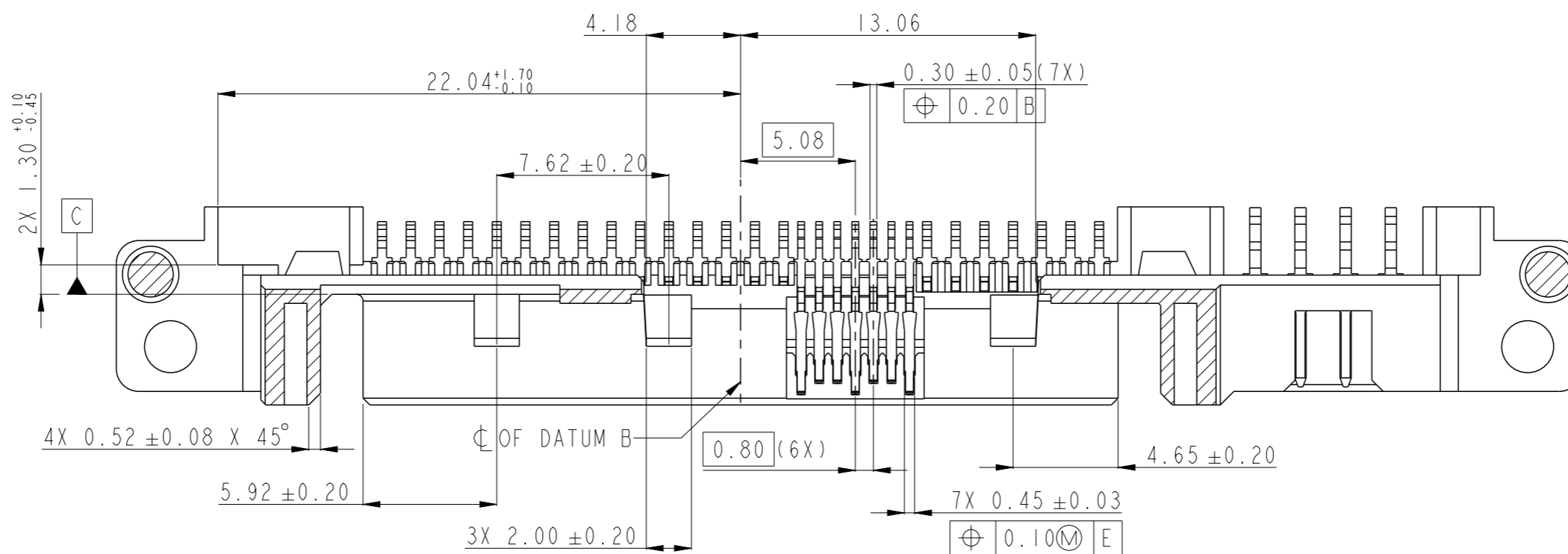
64.89 ± 0.20



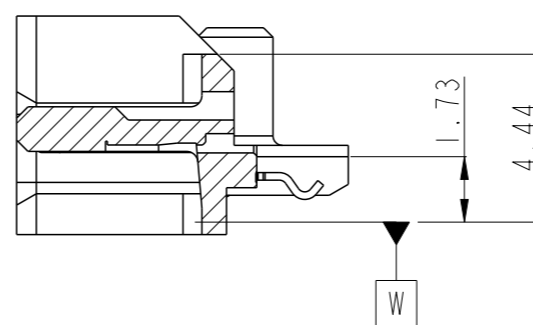
spec ref	dr	Jeffrey Lim	2014/04/01	projection	MM	size	A3	scale	4:1
tolerance std	eng	Jeffrey Lim	2018/01/05			ecn no	ELX-S-28927-1		
ASME Y14.5	chr	-	-			rel level	Released		
surface	app	Koon-Poh Tay	2018/01/15	product family	-	rel level	Released		
linear	Amphenol FCI 2.5" 12G SAS PLUG Z-HT. 3.05			dwg no	10128658		rev	B	
angular				0°	± 2°	cat. no.	-	Product - Customer Drw	sheet 2 of 8

© 2016 AFCI
 Amphenol FCI

PRODUCT NO.
SEE TABLE



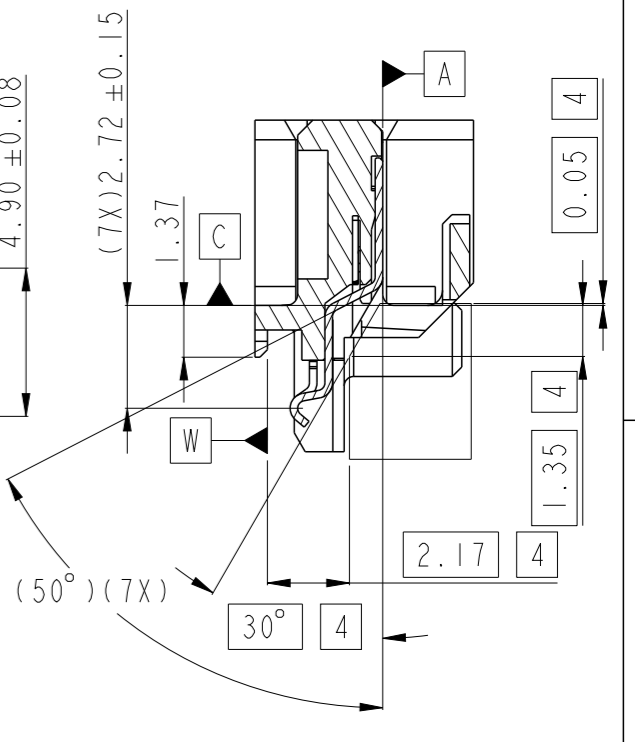
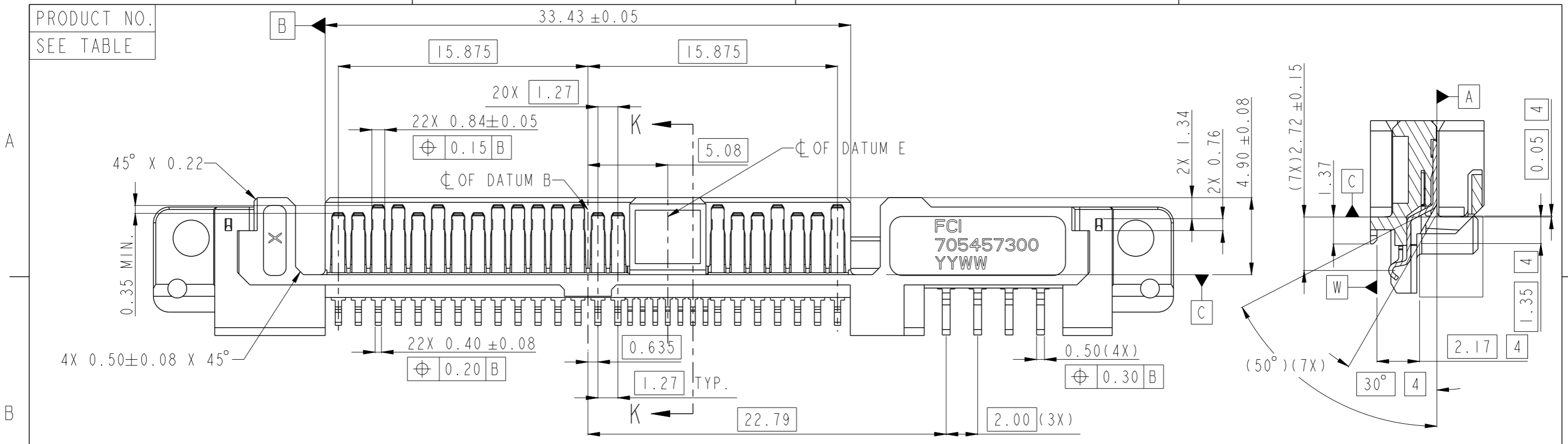
SECTION AG-AG



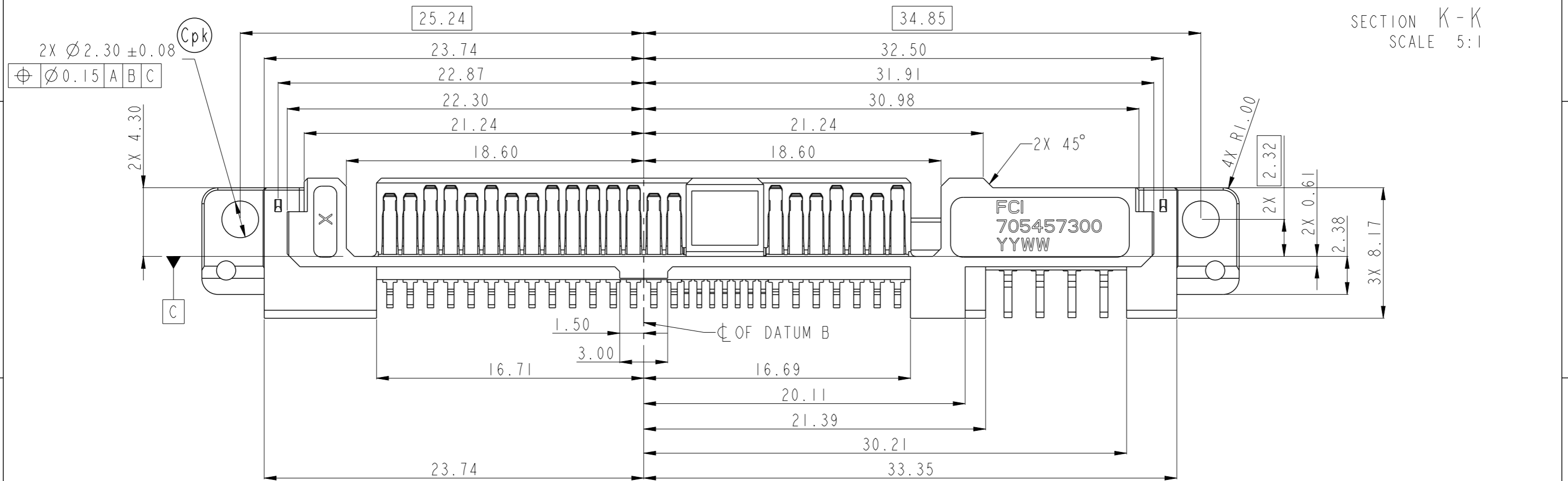
SECTION AK-AK
SCALE 5:1

spec ref		dr	Jeffrey Lim	2014/04/01	projection	MM	size	A3	scale	4:1
tolerance std		eng	Jeffrey Lim	2018/01/05			ecn no		ELX-S-28927-1	
ASME Y14.5		chr	-	-			rel level		Released	
TOLERANCES UNLESS OTHERWISE SPECIFIED		appr	Koon-Poh Tay	2018/01/15	product family		-		-	
surface	linear	0.X	±	Amphenol FCI	2.5" 12G SAS PLUG Z-HT. 3.05		dwg no 10128658		rev B	
		0.XX	±0.10							
	0.XXX	±0.100								
	angular	0°	±2°	cat. no.	-	Product - Customer Drw		sheet 3 of 8		

PRODUCT NO.
SEE TABLE



SECTION K-K
SCALE 5:1

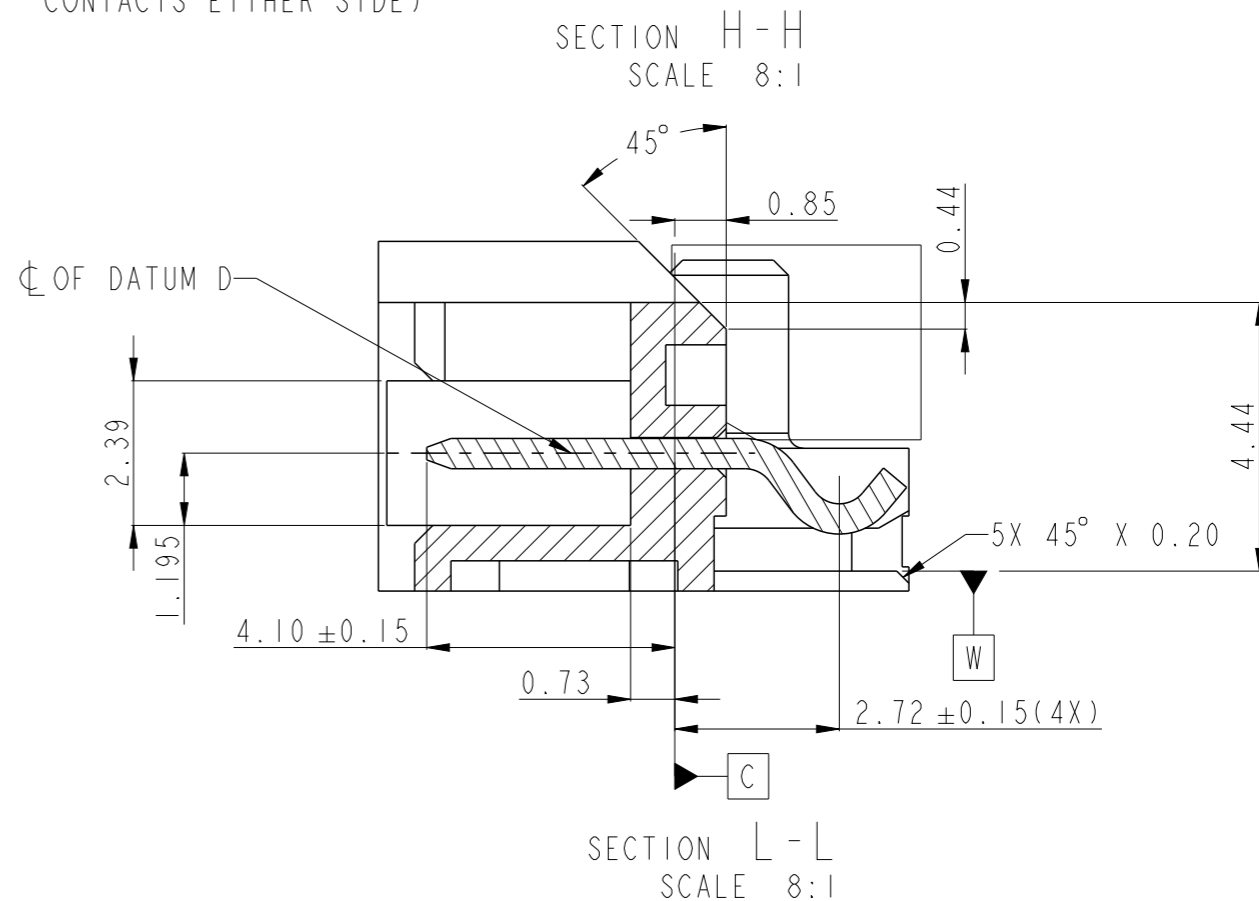
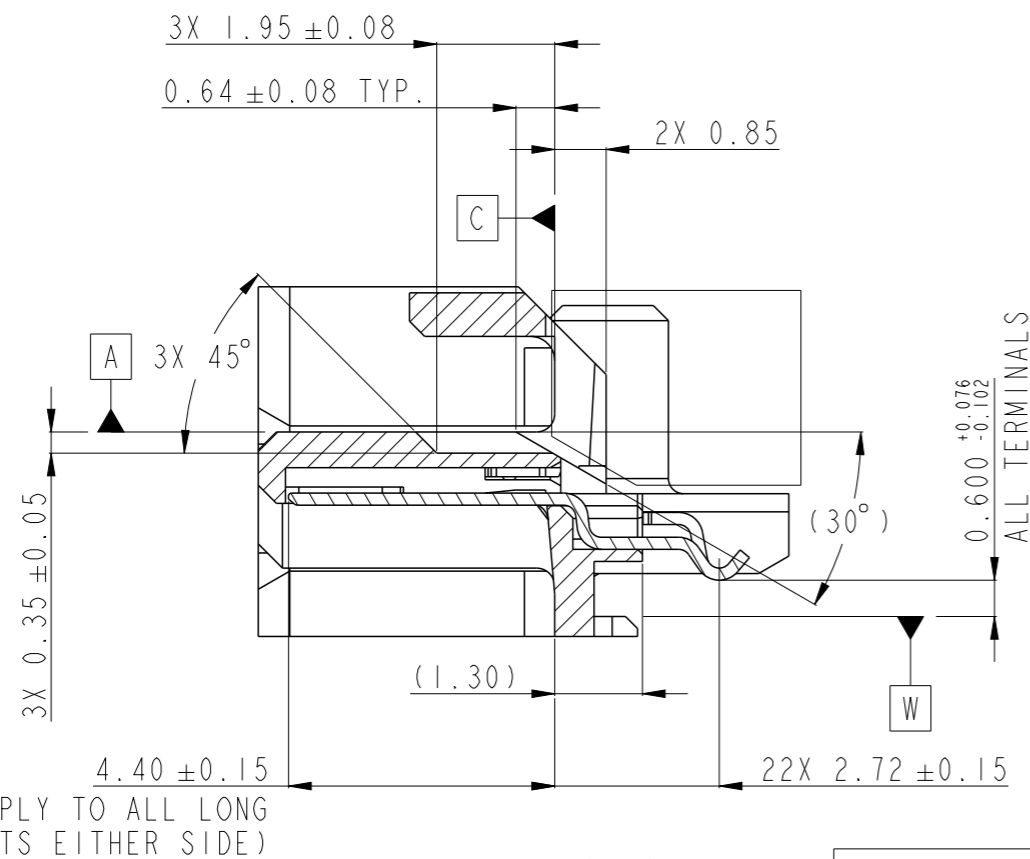
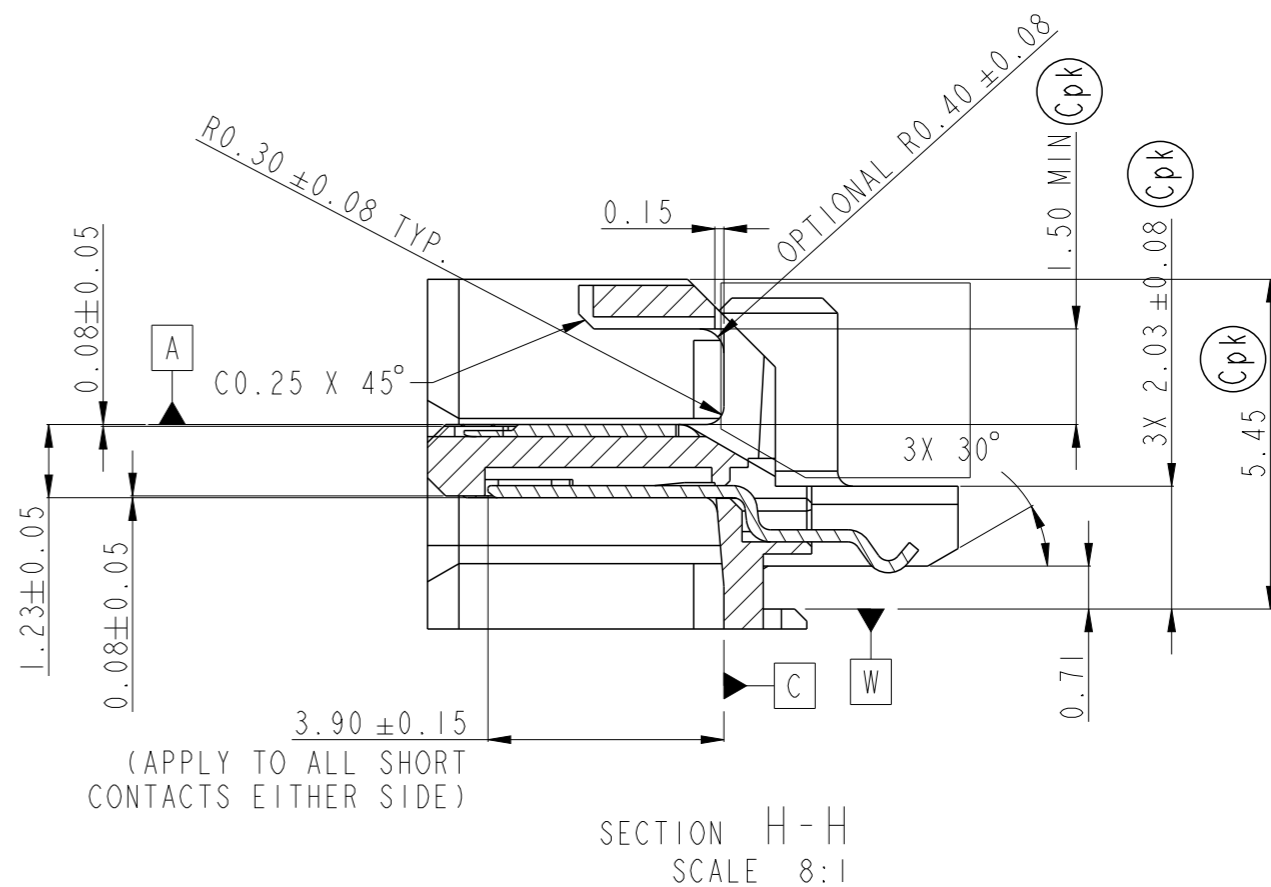
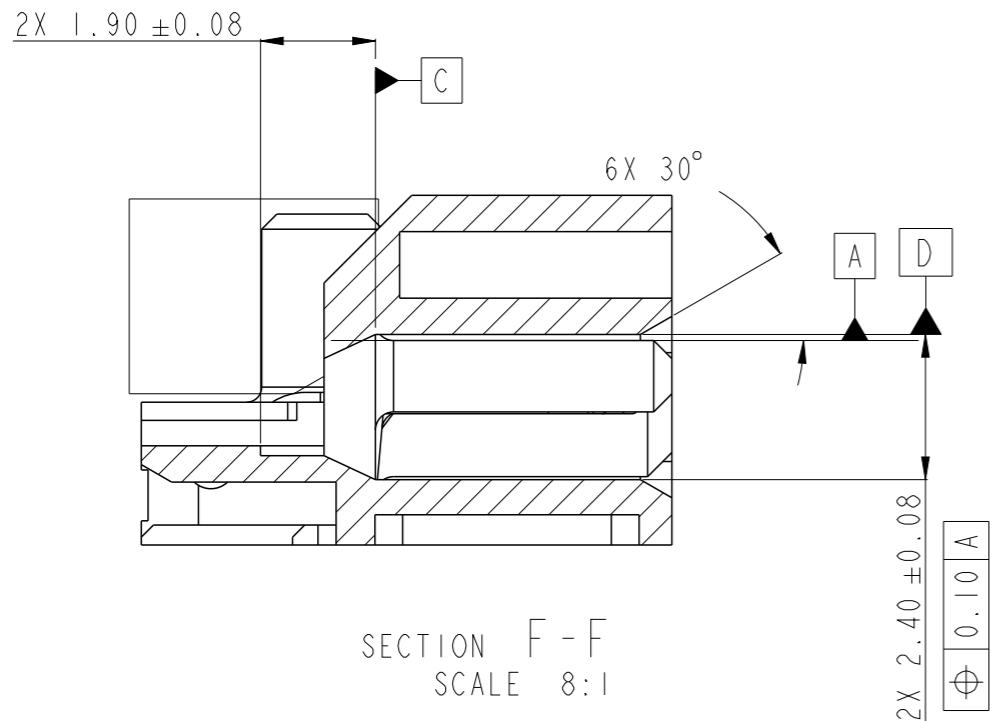


Amphenol
FCi

© 2016 AFCI

spec ref	dr	Jeffrey Lim	2014/04/01	projection	MM	size	A3	scale	4:1	
tolerance std	eng	Jeffrey Lim	2018/01/05			ecn no	ELX-S-28927-1			
ASME Y14.5	chr	-	apppr			Koon-Poh Tay	2018/01/15	rel level	Released	
surface	linear	0.X	± -	Amphenol FCI			2.5" 12G SAS PLUG Z-HT. 3.05		dwg no 10128658	rev B
		0.XX	±0.10							
		0.XXX	±0.100							
	angular	0°	±2°							
				cat. no.	-	Product - Customer Drw		sheet 4 of 8		

PRODUCT NO.
SEE TABLE



Amphenol
FCi

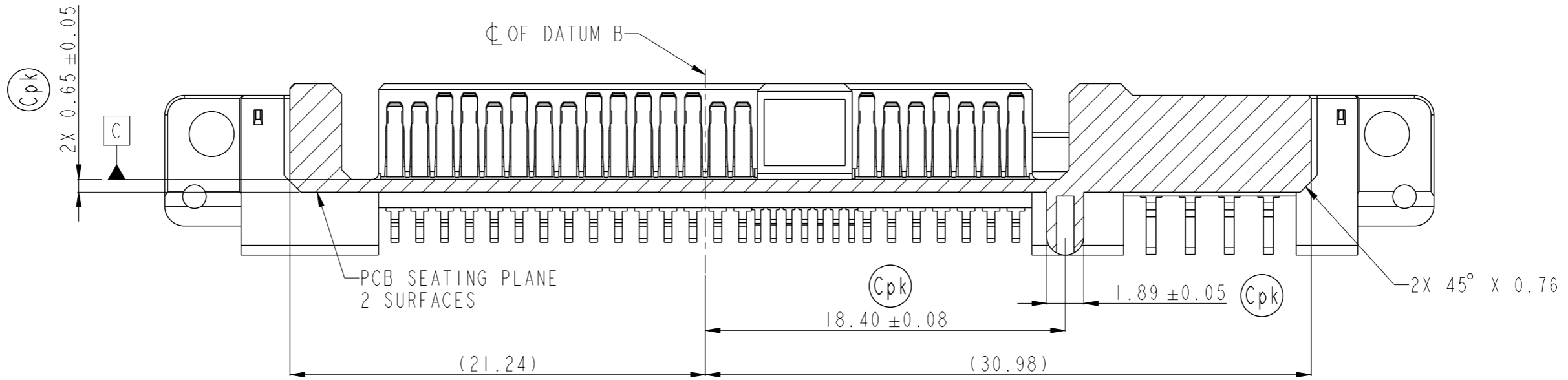
© 2016 AFCI

spec ref	dr	Jeffrey Lim	2014/04/01
tolerance std	eng	Jeffrey Lim	2018/01/05
ASME Y14.5	chr	-	-
	appr	Koon-Poh Tay	2018/01/15

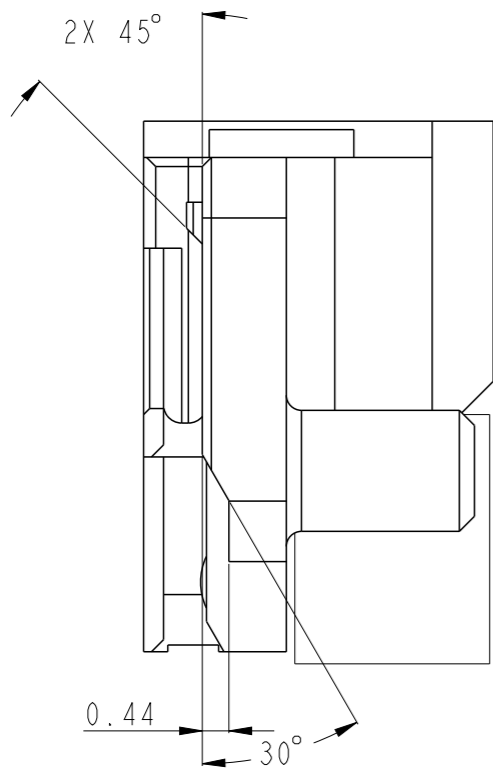
projection	MM	size	A3	scale	4:1
product family	-	ecn no	ELX-S-28927-1	rel level	Released

surface	linear	0.X	±	Amphenol FCi	title	2.5" 12G SAS PLUG	dwg no	10128658	rev	B
		0.XX	±0.10			Z-HT. 3.05				
		0.XXX	±0.100							
	angular	0°	±2°		cat. no.	-	Product - Customer Drw	sheet 5 of 8		

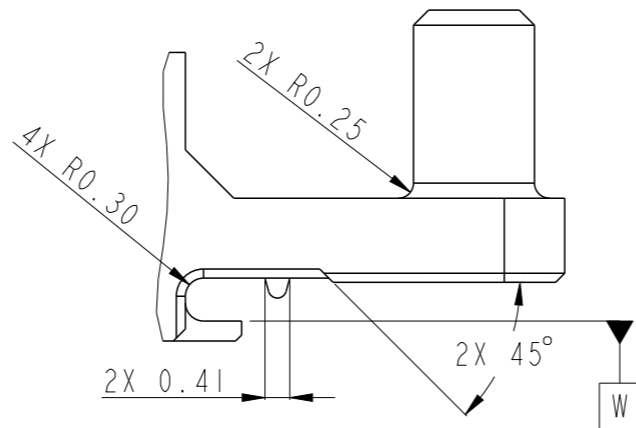
PRODUCT NO.
SEE TABLE



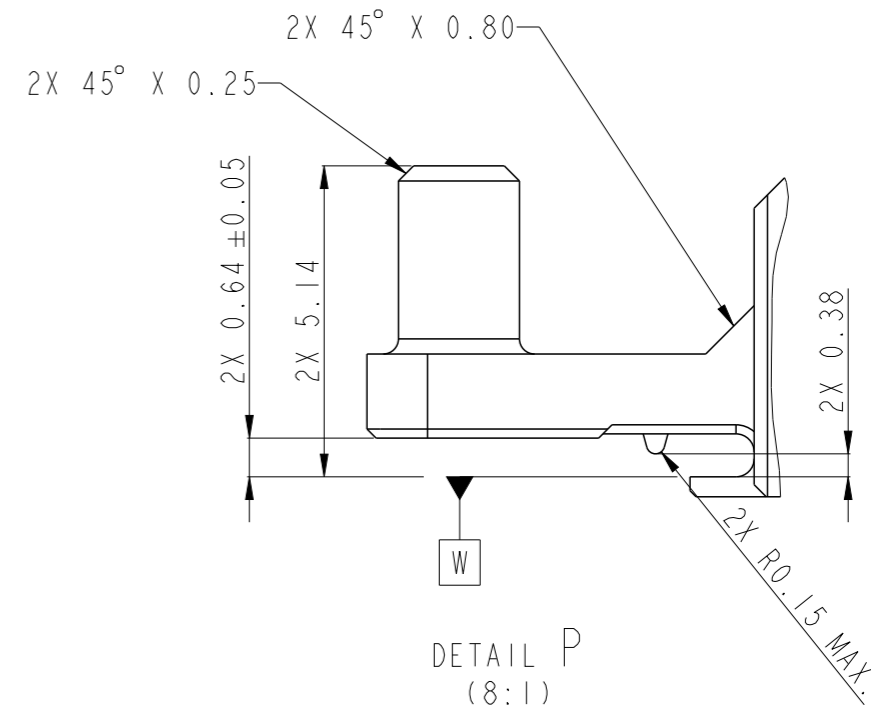
SECTION G-G



SCALE 8:1




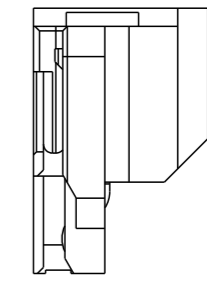
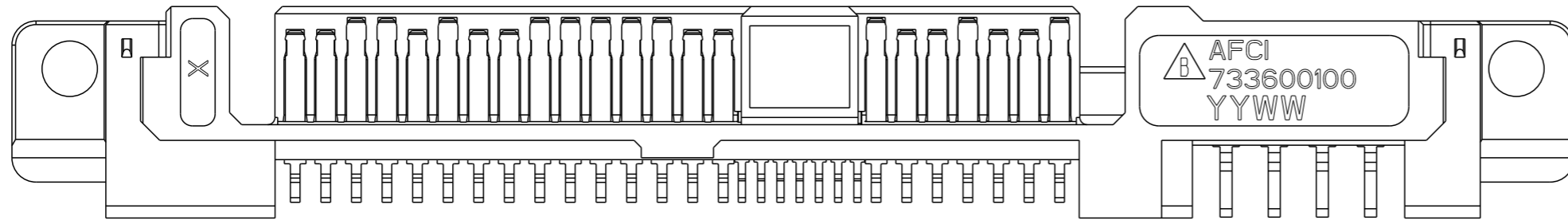
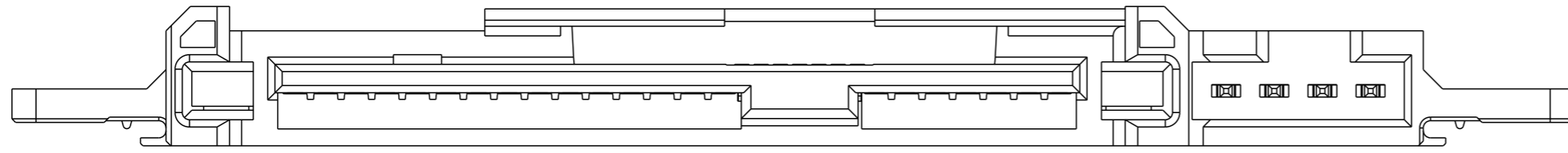
DETAIL N
(8:1)




DETAIL P
(8:1)

spec ref	dr	Jeffrey Lim	2014/04/01	projection	MM	size	A3	scale	4:1
tolerance std	eng	Jeffrey Lim	2018/01/05			ecn no	ELX-S-28927-1		
ASME Y14.5	chr	-	-			rel level	Released		
surface	linear	0.X	±	Amphenol FCI	2.5" 12G SAS PLUG Z-HT. 3.05	dwg no 10128658	rev B	Product - Customer Drw	
		0.XX	±0.10						
0.XXX	±0.100								
	angular	0°	±2°	cat. no.	-	sheet 6 of 8			

PRODUCT NO.
10128658-002LF 

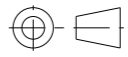


SCALE 4:1

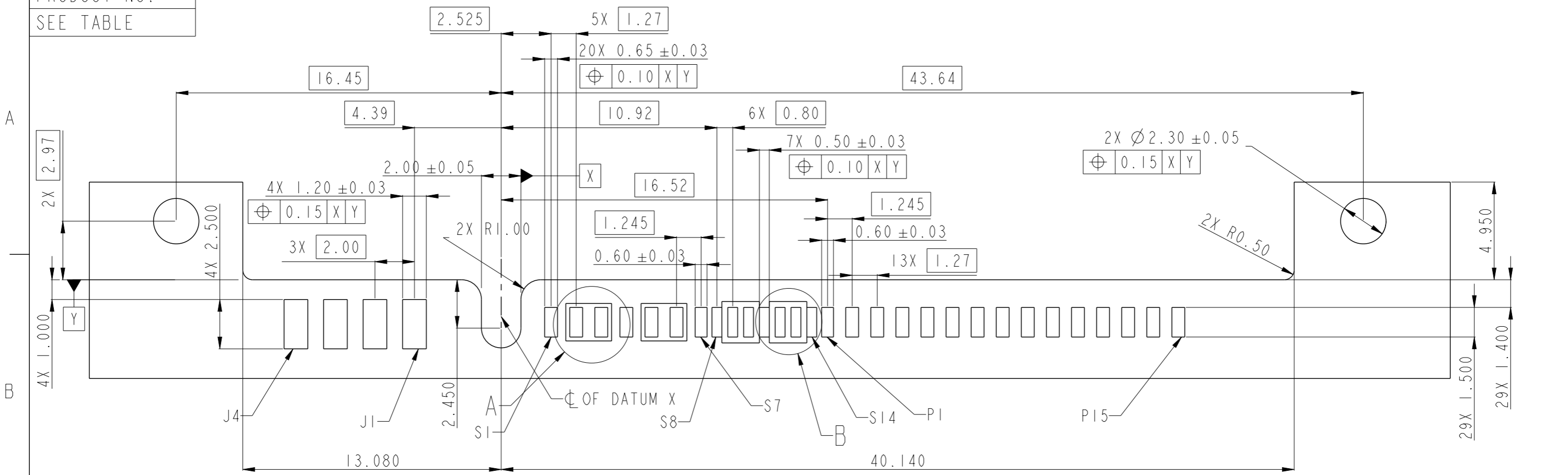
 DIFFERENCE OF -002LF WITH RESPECT TO -001LF IS WITHOUT THE TWO LOCATOR POSTS AND ITS BENEATH BLIND CORING. NEW COMPANY LOGO AND CUSTOMER P/N. FOR MORE DIMENSIONS, REFER TO -001LF

Amphenol
FCi

© 2016 AFci

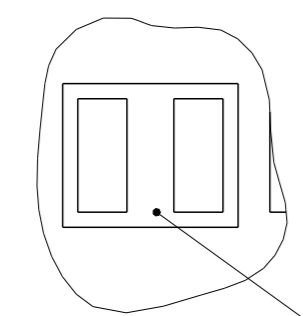
spec ref		dr Jeffrey Lim		2014/04/01		projection		MM		size A3		scale 1:1					
tolerance std		eng Jeffrey Lim		2018/01/05				← →		ecn no		ELX-S-28927-1					
ASME Y14.5		chr -		-						product family		-		rel level		Released	
surface		linear		0.X		± -		Amphenol FCi		2.5" 12G SAS PLUG		dwg no		10128658		rev	
				0.XX		±0.10											
				0.XXX		±0.100											
		angular		0°		±2°		cat. no.		-		Product - Customer Drw		sheet 7 of 8			

PRODUCT NO.
SEE TABLE



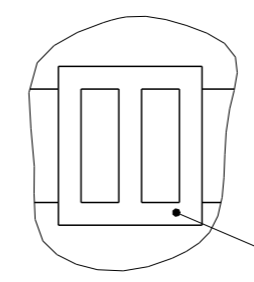
SCALE 5:1

RECOMMENDED PCB LAYOUT
(GENERAL TOLERANCE: ±0.05)



ANTIPAD WIDTH 0.2MM LARGER THAN SIGNAL PADS ON FOUR SIDES

DETAIL A
(10:1)



ANTIPAD WIDTH 0.3MM LARGER THAN SIGNAL PADS ON FOUR SIDES

DETAIL B
(10:1)

spec ref				dr	Jeffrey Lim	2014/04/01	projection	MM	size	A3	scale	1:1
tolerance std	TOLERANCES UNLESS OTHERWISE SPECIFIED			eng	Jeffrey Lim	2018/01/05			ecn no		ELX-S-28927-1	
ASME Y14.5				chr	-	-			rel level		Released	
surface	linear	0.X	±		2.5" 12G SAS PLUG			dwg no	10128658		rev	B
		0.XX	±0.10		Z-HT. 3.05							
		0.XXX	±0.100		cat. no.	-	Product - Customer Drw	sheet 8 of 8				
	angular	0°	±2°									