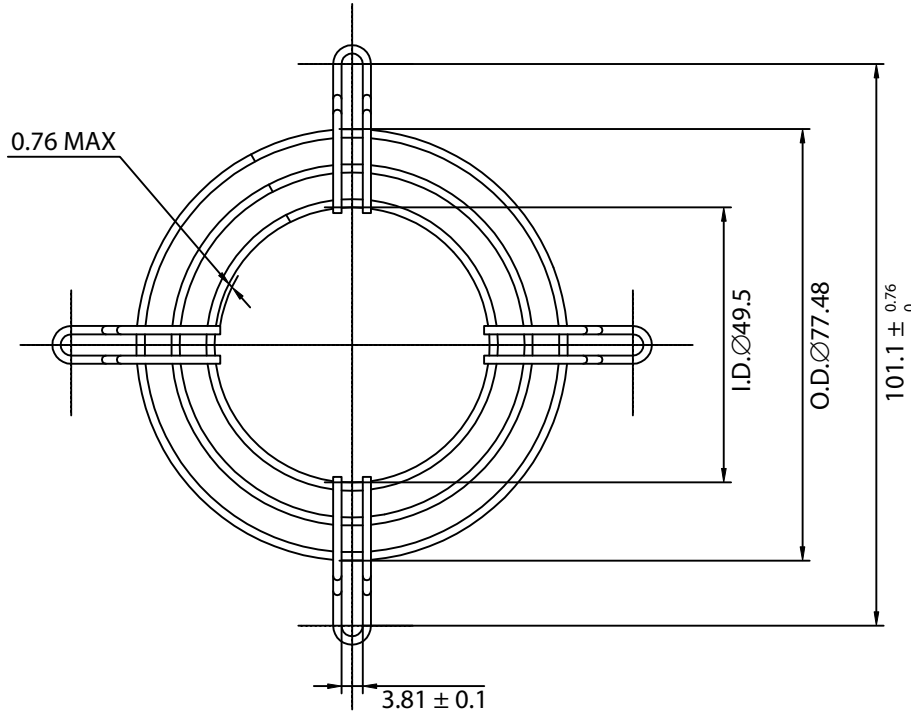


THESE DRAWINGS ARE THE PROPERTY OF QUALTEK ELECTRONICS AND NOT TO BE REPRODUCED FOR OR COMMUNICATED TO A THIRD PARTY WITHOUT THE EXPRESS WRITTEN PERMISSION OF AN OFFICER OF QUALTEK ELECTRONICS.

REVISION			
REV.	DESCRIPTION	DATE	APPROVED



NOTES:

1. MATERIAL: C1008 BRIGHT BASIC WIRE
2. FINISH: BRIGHT NICKEL CHROME PLATING
3. 0.30 ± 0.05 DEPTH OF SERRATIONS ON WIRE
4. RING: Ø1.2 ± 0.1mm
RIB: Ø1.6 ± 0.1mm
5. GENERAL TOLERANCE UNLESS NOTED IS ± 0.5mm
6. RoHS COMPLIANT

CONTROLLED

Dim range (mm)		Tolerance +/- (mm)		Qualtek Electronics Corp. FAN-S DIVISION		
0-5	0.1	Part Number: 08153		<div style="border: 1px solid green; padding: 2px; display: inline-block;">RoHS Compliant</div>		
5-16	0.15	Description: WIRE FORM FAN GUARD (80mm)				
16-64	0.2	UNIT: mm				
64-250	0.4	Drawn / Date	Checked / Date	Approved / Date		
250-1000	0.5	R.Nuti 01-29-09	01-29-09	LY / 01-29-09		
1000-1500	1.0					