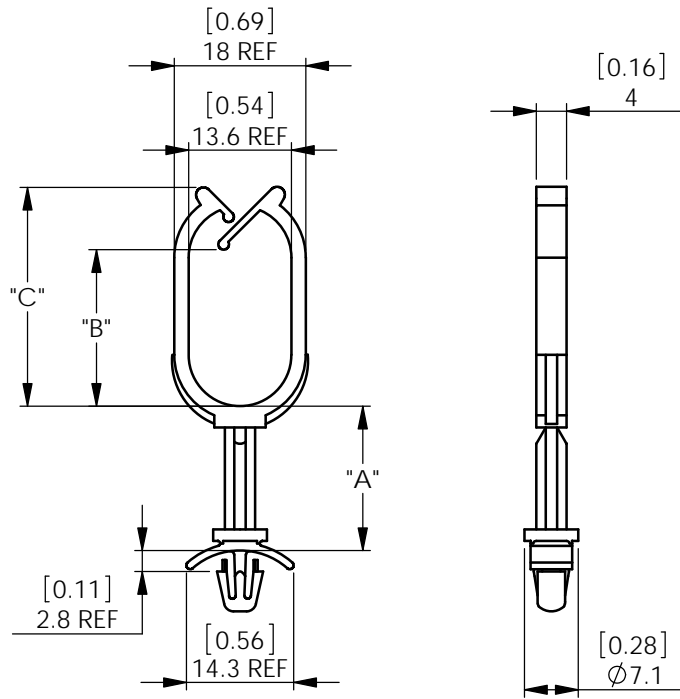


REV.	MODIFICATION.	DATE	DRN
03	CO2010411	26/09/08	SF
04	CO2010741	23/07/09	OW
05	CO2011103	25/02/11	SF



BOTTOM FIX TO SNAP LOCK INTO A $\text{Ø}4.8[0.53] \pm 0.08[0.003]$ HOLE,
 INTO A $0.76 - 2.0[0.03 - 0.08]$ THICK PANEL.

NOTES:

- 1) PARTS AVAILABLE IN NYLON 46 HEAT STABILISED UL94 V-2 (RMS-109) BY SPECIAL ORDER, REPLACE -01 WITH -109 AT END OF PART NUMBER.
- 2) PARTS AVAILABLE IN NYLON 6/6 HEAT STABILISED UL94 V-2 (RMS-47) BY SPECIAL ORDER, REPLACE -01 WITH -47 AT END OF PART NUMBER.

MATERIAL: NYLON 6/6 UL 94 V-2 (RMS-01) COLOUR: NATURAL			
PART NUMBER	"A" ± 0.4	"B" REF	"C" REF
SHK-6-01	9.5[0.06]	13.6[0.54]	19.5[0.77]
SHK-8-01	12.7[0.50]		
SHK-12-01	19.1[0.75]		
SHK-16-01	25.4[1]		
SHK-20-01	31.8[1.25]		
SHKE-6-01	9.5[0.06]	20.6[0.81]	29[1.14]
SHKE-8-01	12.7[0.50]		
SHKE-12-01	19.1[0.75]		
SHKE-16-01	25.4[1]		
SHKE-20-01	31.8[1.25]		
NYLON 6/6 UL94-V0(RMS-19) MATERIAL AVAILABLE BY SPECIAL ORDER. REPLACE "-01" WITH "-19" TO ORDER			

INFORMATION CONTAINED IN THIS DOCUMENT IS CONFIDENTIAL TO RICHCO INTERNATIONAL Co. Ltd. AND MAY NOT BE DISCLOSED OR REPRODUCED IN WHOLE OR PART WITHOUT THEIR WRITTEN CONSENT.					
RICHCO, INC. WWW.RICHCO-INC.COM			ALL DIMENSIONS IN mm[inches] GENERAL TOLERANCES ± 0.25 UNLESS OTHERWISE STATED 1 DECIMAL PLACE \pm 2 DECIMAL PLACES \pm ANGULAR $\pm 1^\circ$	THIRD ANGLE 	
MATERIAL: SEE TABLE & NOTES			COLOUR: SEE NOTES		
DESCRIPTION: STAND-OFF HARNESS CLIP			PART No: SEE TABLE		
DRG No: 676-8001		PROJECT NUMBER: N/A		Mass:(g) N/A	SHEET SIZE A4
DRN SF	DATE 26/09/08	CHKD TC	DATE 26/09/08	SCALE NTS	SHEET No. 1 OF 1