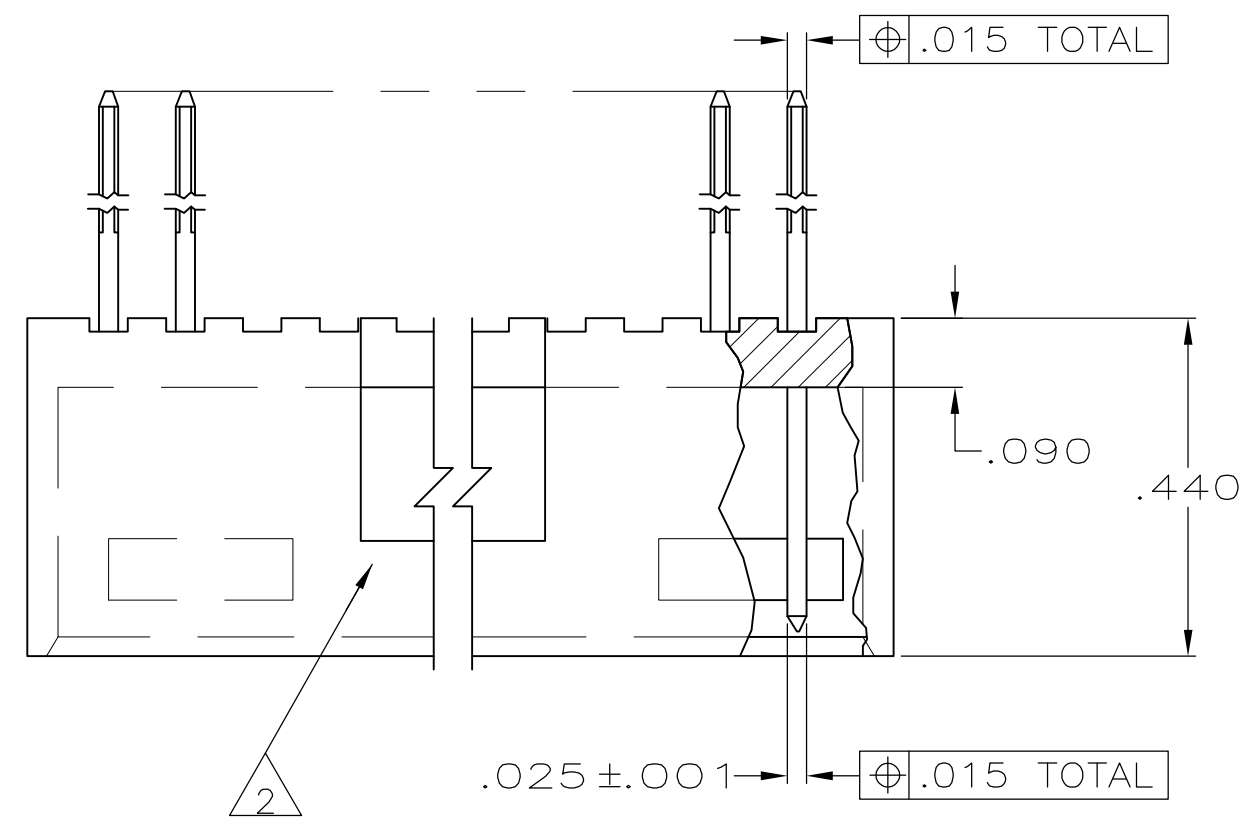
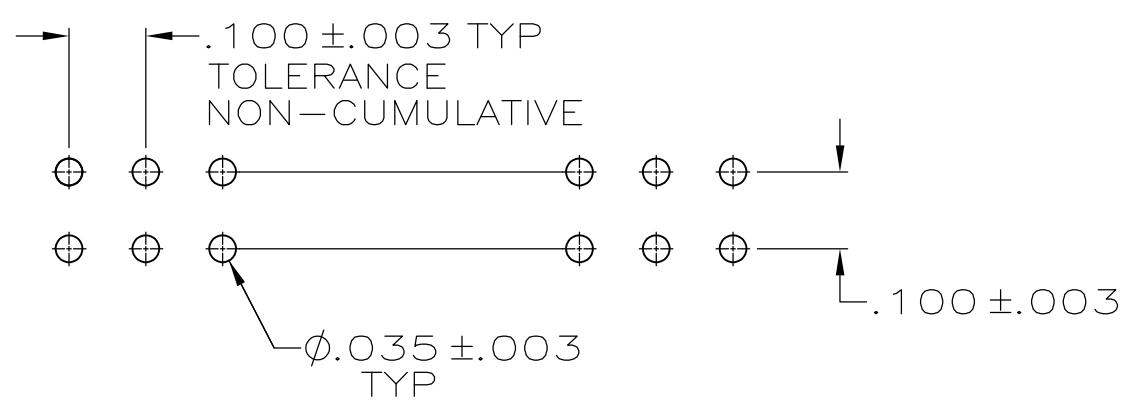
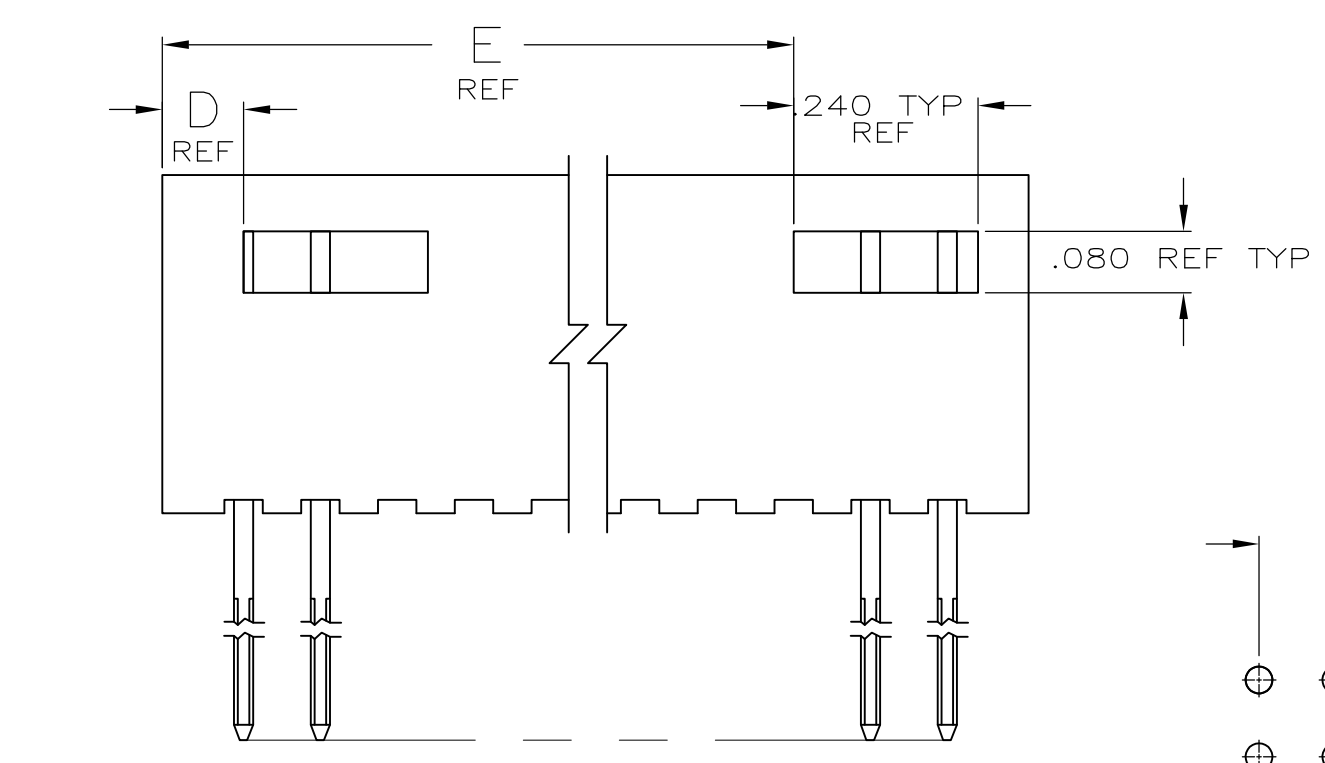
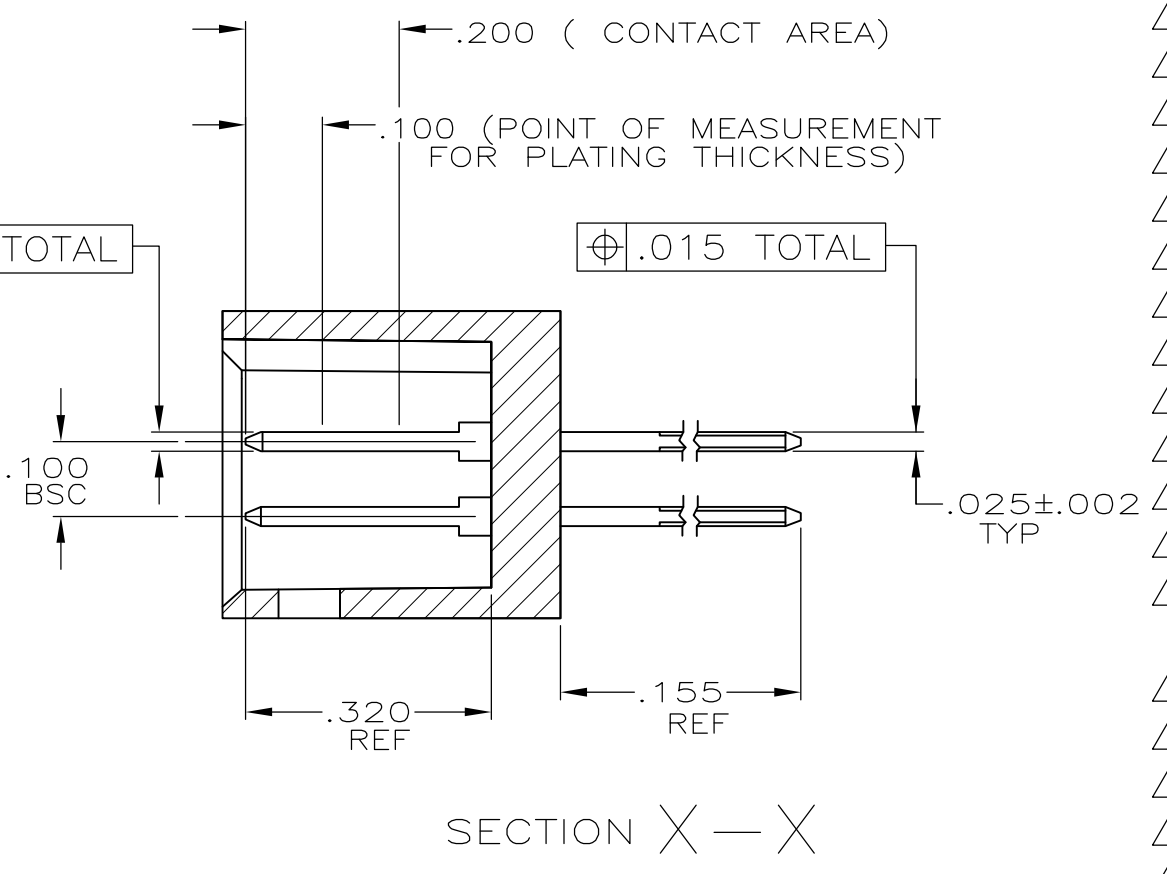
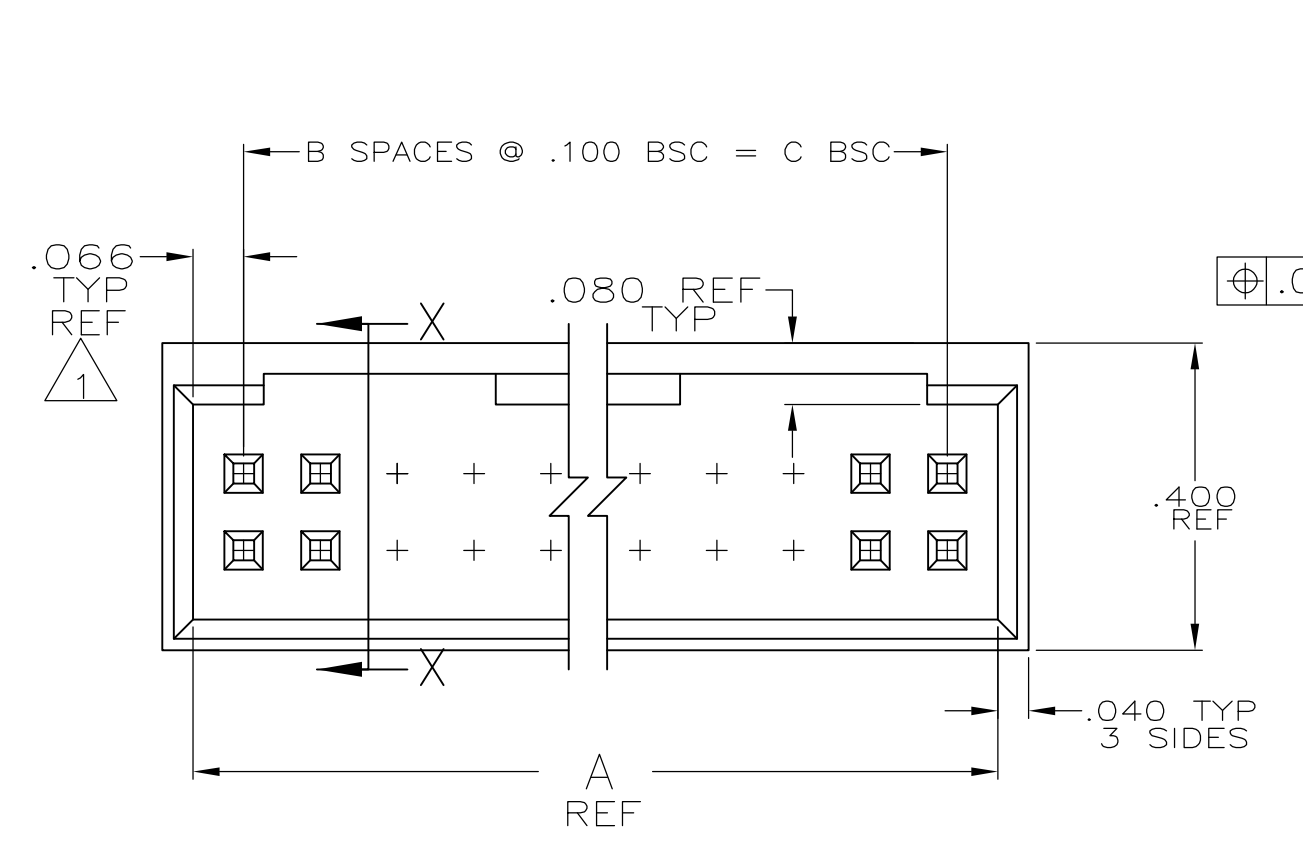


THIS DRAWING IS UNPUBLISHED. RELEASED FOR PUBLICATION  
 © COPYRIGHT - By - ALL RIGHTS RESERVED.

LOC		DIST		REVISIONS			
P	LTR	DESCRIPTION		DATE	DWN	APVD	
AD	00	R		REVISED PER ECO-11-011767	08JUN11	HMR	MM



- 1 WILL ALSO MATE W/OTHER CONNECTORS WHICH ARE COMPATIBLE WITH THE .066 END DIM.
- 2 ACCESS SLOT.
- 3 .000030 GOLD IN CONTACT AREA, GOLD FLASH ON SOLDER AREA, ALL OVER .000050 MIN NICKEL ON ENTIRE POST.
- 4 OBSOLETE PARTS: OBSOLETE CIS STREAMLINING PER D.RENAUD/D.SINISI



		E	D	C	B	A	NO OF POSN	PART NUMBER
								3-87690-5
								3-87690-4
4	OBSOLETE	3.506	.106	.300	3	.432	8	3-87690-3
4	OBSOLETE	3.406		200	2	.332	6	3-87690-2
4	OBSOLETE	3.306		3.400	34	3.532	74	3-87690-1
4	OBSOLETE	3.206		3.300	33	3.432	68	3-87690-0
4	OBSOLETE	3.106		3.200	32	3.332	66	2-87690-9
4	OBSOLETE	3.006		3.100	31	3.232	64	2-87690-8
4	OBSOLETE	2.906		3.000	30	3.132	62	2-87690-7
4	OBSOLETE	2.806		2.900	29	3.032	60	2-87690-6
4	OBSOLETE	2.706		2.800	28	2.932	58	2-87690-5
4	OBSOLETE	2.606		2.700	27	2.832	56	2-87690-4
4	OBSOLETE	2.506		2.600	26	2.732	54	2-87690-3
4	OBSOLETE	2.406		2.500	25	2.632	52	2-87690-2
4	OBSOLETE	2.306		2.400	24	2.532	50	2-87690-1
4	OBSOLETE	2.206		2.300	23	2.432	48	2-87690-0
4	OBSOLETE	2.106		2.200	22	2.332	46	1-87690-9
4	OBSOLETE	2.006		2.100	21	2.232	44	1-87690-8
4	OBSOLETE	1.906		2.000	20	2.132	42	1-87690-7
		1.806		1.900	19	2.032	40	1-87690-6
4	OBSOLETE	1.706		1.800	18	1.932	38	1-87690-5
4	OBSOLETE	1.606		1.700	17	1.832	36	1-87690-4
4	OBSOLETE	1.506		1.600	16	1.732	34	1-87690-3
4	OBSOLETE	1.406		1.500	15	1.632	32	1-87690-2
4	OBSOLETE	1.306		1.400	14	1.532	30	1-87690-1
4	OBSOLETE	1.206		1.300	13	1.432	28	1-87690-0
		1.106		1.200	12	1.332	26	1-87690-9
		1.006		1.100	11	1.232	24	1-87690-8
		.906		1.000	10	1.132	22	1-87690-7
4	OBSOLETE	.806	.106	.900	9	1.032	20	1-87690-6
4	OBSOLETE	-	.406	.800	8	.932	18	1-87690-5
		-	.306	.700	7	.832	16	1-87690-4
		-	.306	.600	6	.732	14	1-87690-3
		-	.206	.500	5	.632	12	1-87690-2
		-	.206	.400	4	.532	10	1-87690-1

THIS DRAWING IS A CONTROLLED DOCUMENT.

DWN: B. HAYMAKER 08OCT98  
 CHK: L. REGER 08OCT98  
 APVD: L. REGER 08OCT98

TE Connectivity

(MATES WITH MOD IV OR LOCKING CLIP) HEADER ASSEMBLY MOD II  
 .100 Q.025 SQUARE POST WITH DETAIL

SIZE: A2 CAGE CODE: 00779 DRAWING NO: C-87690

MATERIAL: HSG.- GLASS FILLED NYLON COLOR-BLACK CONTACT-PHOS. BRONZE

FINISH: CONTACT- Δ

SCALE: 4:1 SHEET: 1 OF 1 REV: R