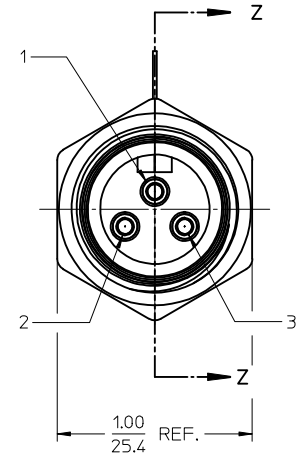
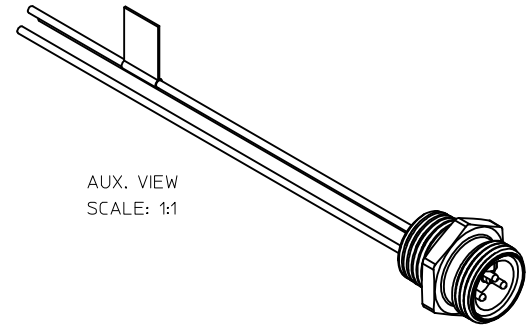
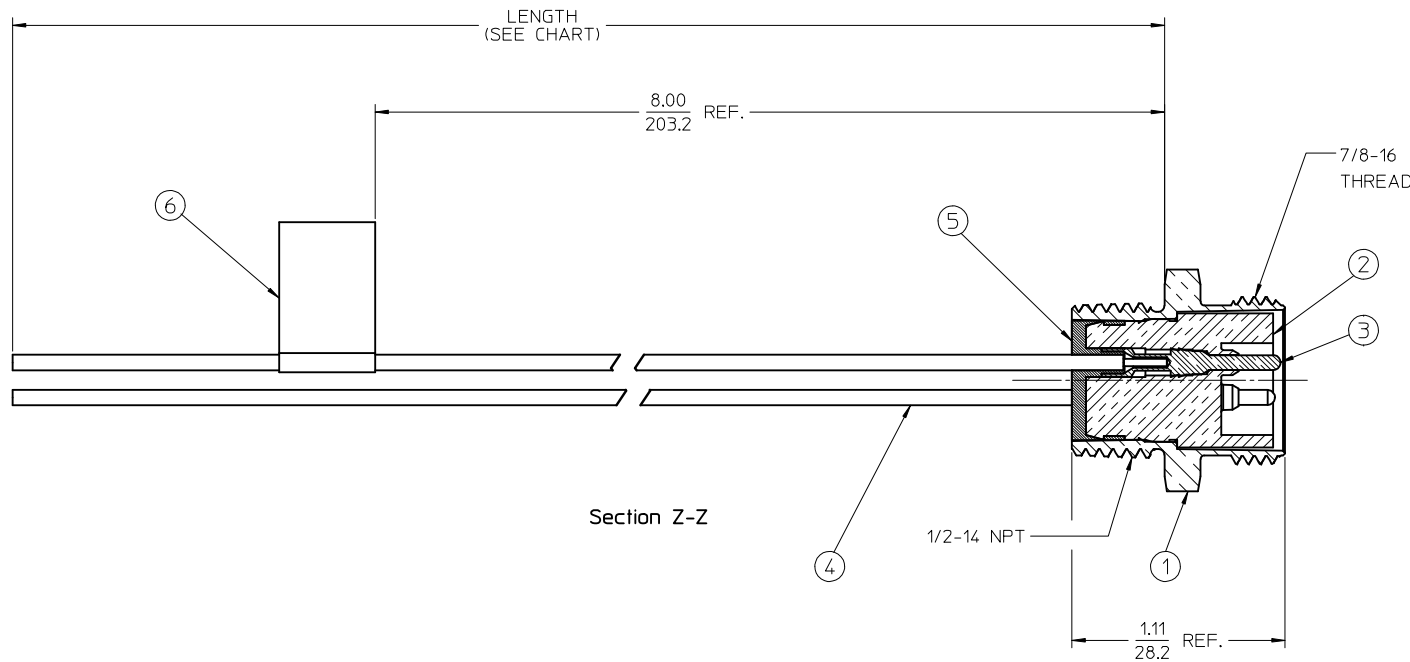
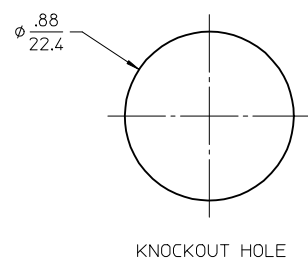


MATERIAL NO.	ENGINEERING NO.	LENGTH
1300130193	1R3006A17A120	12.0 +.75 -0 (304.8 +19.1 -0)



GREEN	1
RED/BLACK	2
RED/WHITE	3

WIRING DIAGRAM



NOTES:

1. MATERIAL: SEE TABLE
2. FINISHES: SEE TABLE
3. MATES WITH: 3C MINI CHANGE CABLE
4. ELECTRICAL SPECIFICATIONS:
VOLTAGE RATING: 300V AC/DC
CURRENT RATING: 10.0 AMPS **(B)**
5. ASSEMBLY IS RoHS COMPLIANT

ITEM	QTY.	DESCRIPTION	MATERIAL	FINISH
6	1	LABEL	PLASTIC FILM	BLACK/YELLOW
5	1	POTTING MATERIAL	EPOXY	
4	3	WIRE, 18 AWG	PVC INSULATION	SEE WIRE DIAGRAM
3	3	CONTACT PIN	Cu ALLOY	GOLD PLATED
2	1	INSERT	PVC	YELLOW
1	1	RECEPTACLE SHELL	ZINC DIE-CAST	BLACK

10 AMPS WAS 7 EC NO: IFC2016-0509 DRAWN BY: DRWINRSTONE 2015/10/02 CHKD: WZIE/INSK1 2015/10/06 APPR: JFMURPHY 2015/11/03	QUALITY SYMBOLS
	=0 =0
	DESCRIPTION
	REV

GENERAL TOLERANCES (UNLESS SPECIFIED)															
<table border="1"> <tr> <th></th> <th>mm</th> <th>INCH</th> </tr> <tr> <td>4 PLACES</td> <td>± ---</td> <td>± ---</td> </tr> <tr> <td>3 PLACES</td> <td>± ---</td> <td>± ---</td> </tr> <tr> <td>2 PLACES</td> <td>± ---</td> <td>± .01</td> </tr> <tr> <td>1 PLACE</td> <td>± 0.3</td> <td>± ---</td> </tr> </table>		mm	INCH	4 PLACES	± ---	± ---	3 PLACES	± ---	± ---	2 PLACES	± ---	± .01	1 PLACE	± 0.3	± ---
	mm	INCH													
4 PLACES	± ---	± ---													
3 PLACES	± ---	± ---													
2 PLACES	± ---	± .01													
1 PLACE	± 0.3	± ---													
ANGULAR ±1/2°															
DRAFT WHERE APPLICABLE MUST REMAIN WITHIN DIMENSIONS															

DIMENSION STYLE	SCALE	DESIGN UNITS	THIRD ANGLE PROJECTION
IN/MM	2:1	INCH	
DRAWN BY	DATE	TITLE	
R.STONE	2009/08/21	MINI-CHANGE, RECEPTACLE 3P, MALE, 18 AWG, AUTO	
CHECKED BY	DATE	APPROVED BY	
B.WOODMAN	2009/08/27	JFMURPHY	
MATERIAL NO.	DATE	DOCUMENT NO.	
(SEE CHART)	2009/08/26	SD-130013-077	
SIZE	THIS DRAWING CONTAINS INFORMATION THAT IS PROPRIETARY TO MOLEX INCORPORATED AND SHOULD NOT BE USED WITHOUT WRITTEN PERMISSION		

MOLEX	MOLEX INCORPORATED	SHEET NO.
		1 OF 1