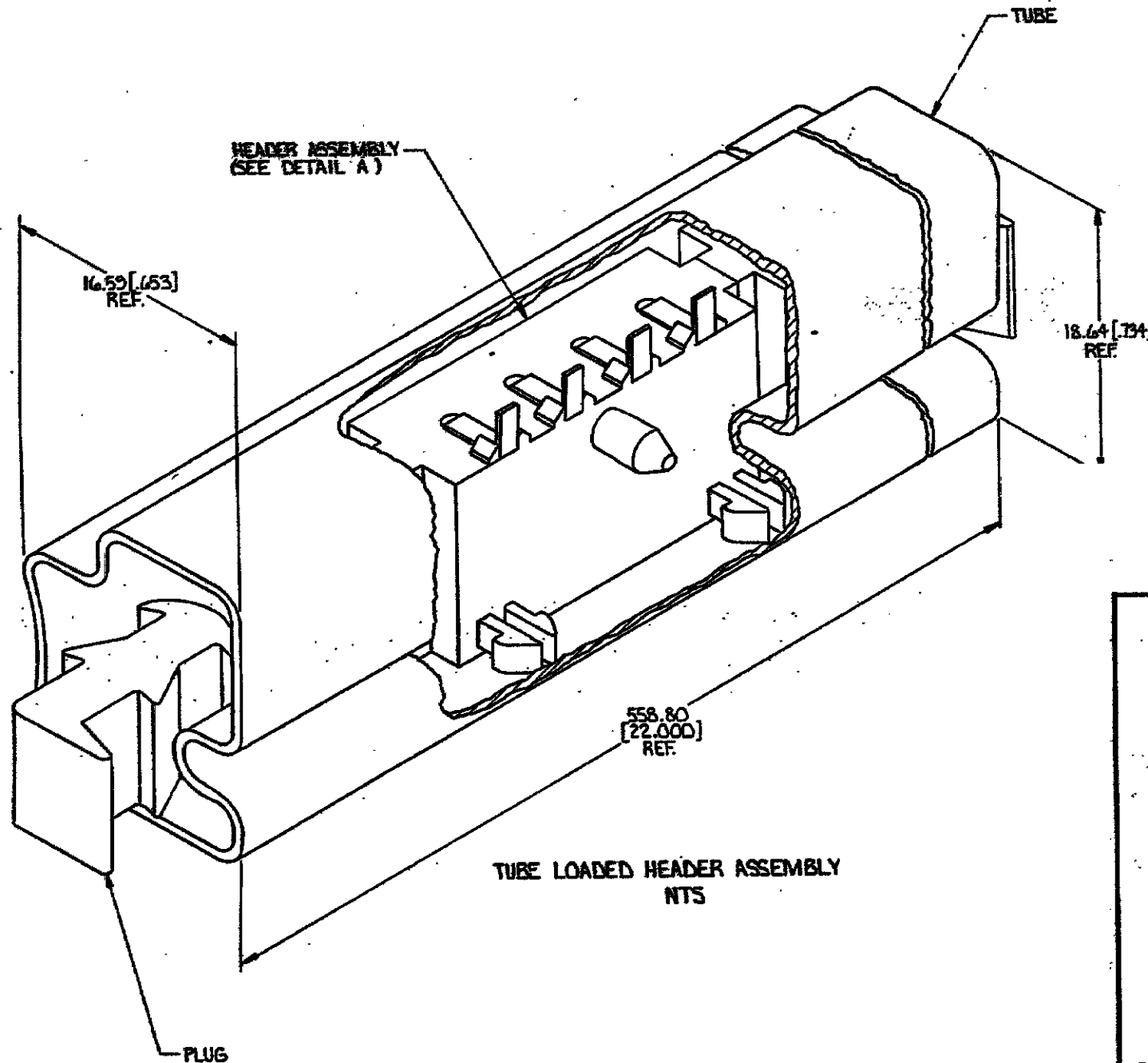


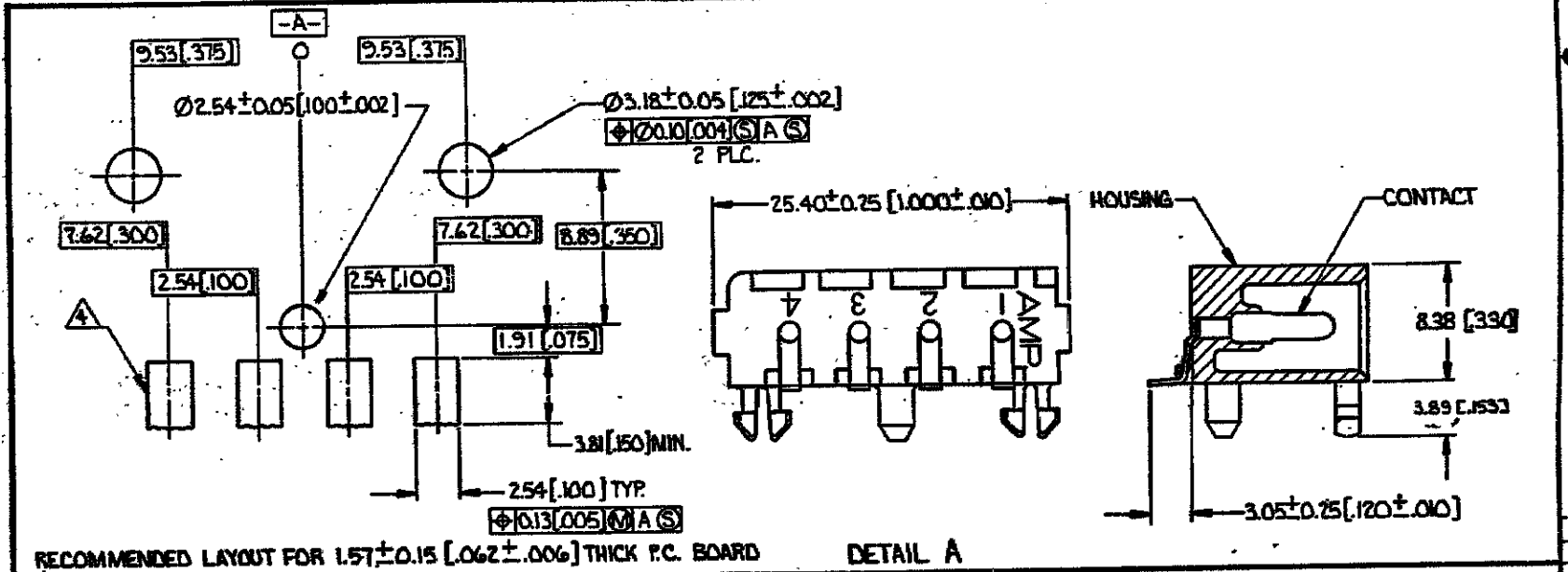
DRAWING MADE IN THIRD ANGLE PROJECTION

THIS DRAWING IS UNPUBLISHED. RELEASED FOR PUBLICATION
 © COPYRIGHT 1981 BY AMP INCORPORATED, HARRISBURG, PA. ALL INTERNATIONAL RIGHTS RESERVED. AMP PRODUCTS MAY BE COVERED BY U.S. AND FOREIGN PATENTS AND/OR PATENTS PENDING.

REVISIONS				
REV	ZONE/LTR	DESCRIPTION	DATE	APPROVED
C		REV PER ECN CM-3500	9-2-91	DS
D		REV PER ECN CM-3560	11-8-91	DS
E		REV PER ECN CM-3757	4-15-92	DS



- 1 PARTS COMPLY WITH AMP SPEC 109-11-3.
- 2 MATERIAL: HOUSING-NYLON, UL94V-2 (BLACK)
100% VIRGIN (NO REGRIND)
CONTACT-COPPER ALLOY, PRE-TIN PLATED.
- 3 DIMENSIONS IN BRACKETS ARE IN INCHES.
- 4 0.25 [010] MIN THICK SOLDER PASTE, 63/27 TIN-LEAD.



METRIC

20	2	4	770829 -1
HEADER ASSEMBLY	PLUG	NUMBER OF POSITIONS	PART NUMBER
QTY PER TUBE		HEADER ASSEMBLY	

UNLESS OTHERWISE SPECIFIED DIMENSIONS ARE IN MM TOLERANCES ON: DECIMALS ± 0.13 [0.05] ANGLES ± 0.5	CONTRACT NO	AMP INCORPORATED Harrisburg, Pa. 17105	
	OR P.C. 3-14-91	NAME	HEADER ASSEMBLY, RIGHT ANGLE, 4 CIRCUIT, TUBE LOADED, COMMERCIAL MATE-N-LOK
MATERIAL	CHK P. King 3-15-91	SIZE	PCB NO
FINISH	APPR P. King 3-18-91	D	00779
	DSGN APPD	DRAWING NO	770829
	OTHER APPD	SCALE 4:1	SHEET 1 OF 1

CUSTOMER DRAWING