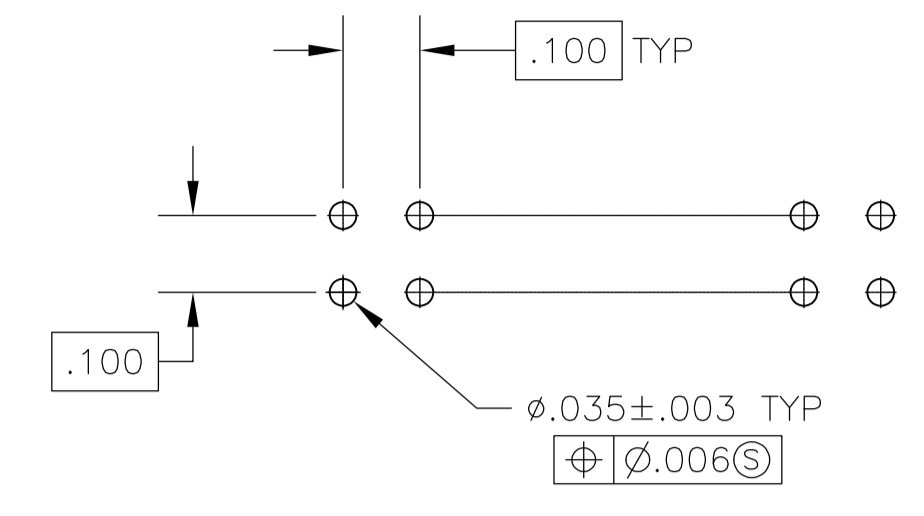
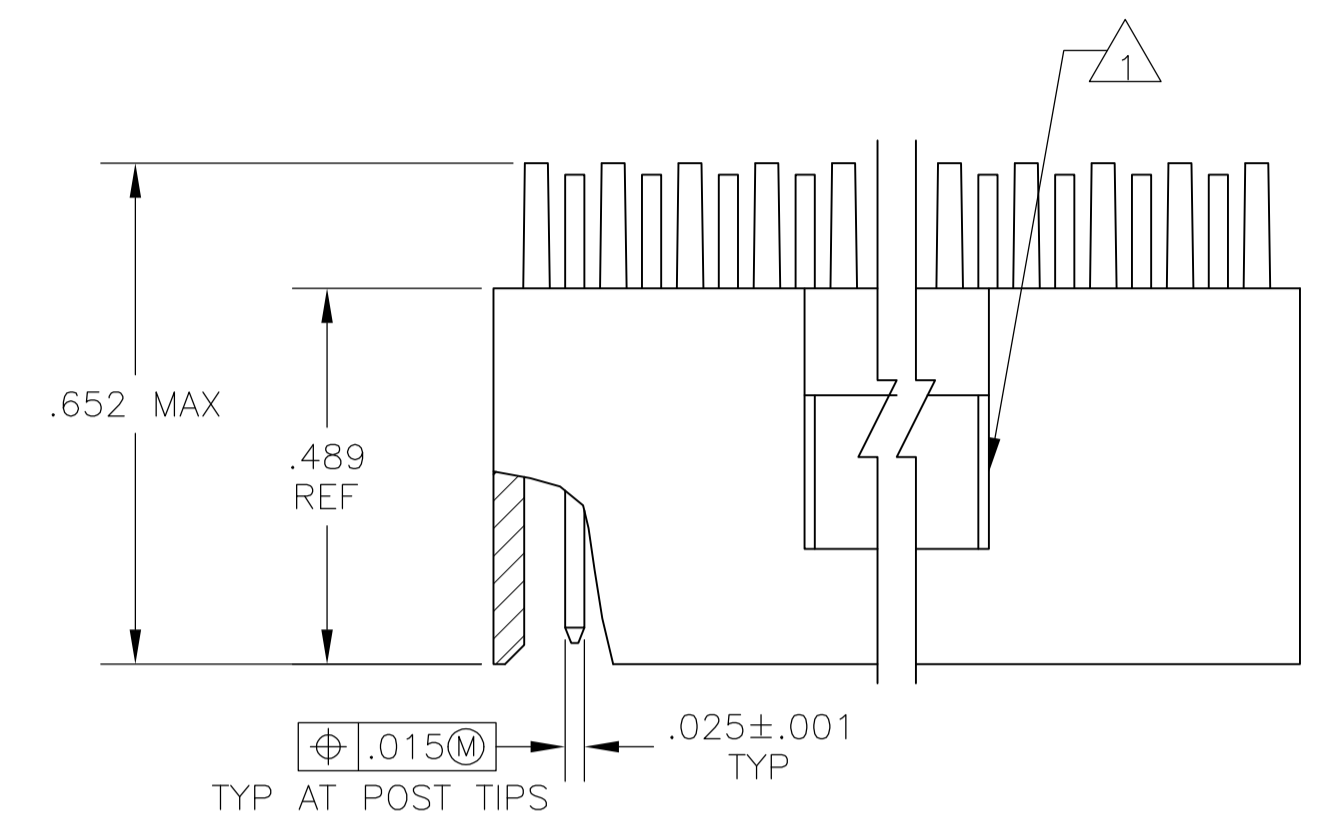
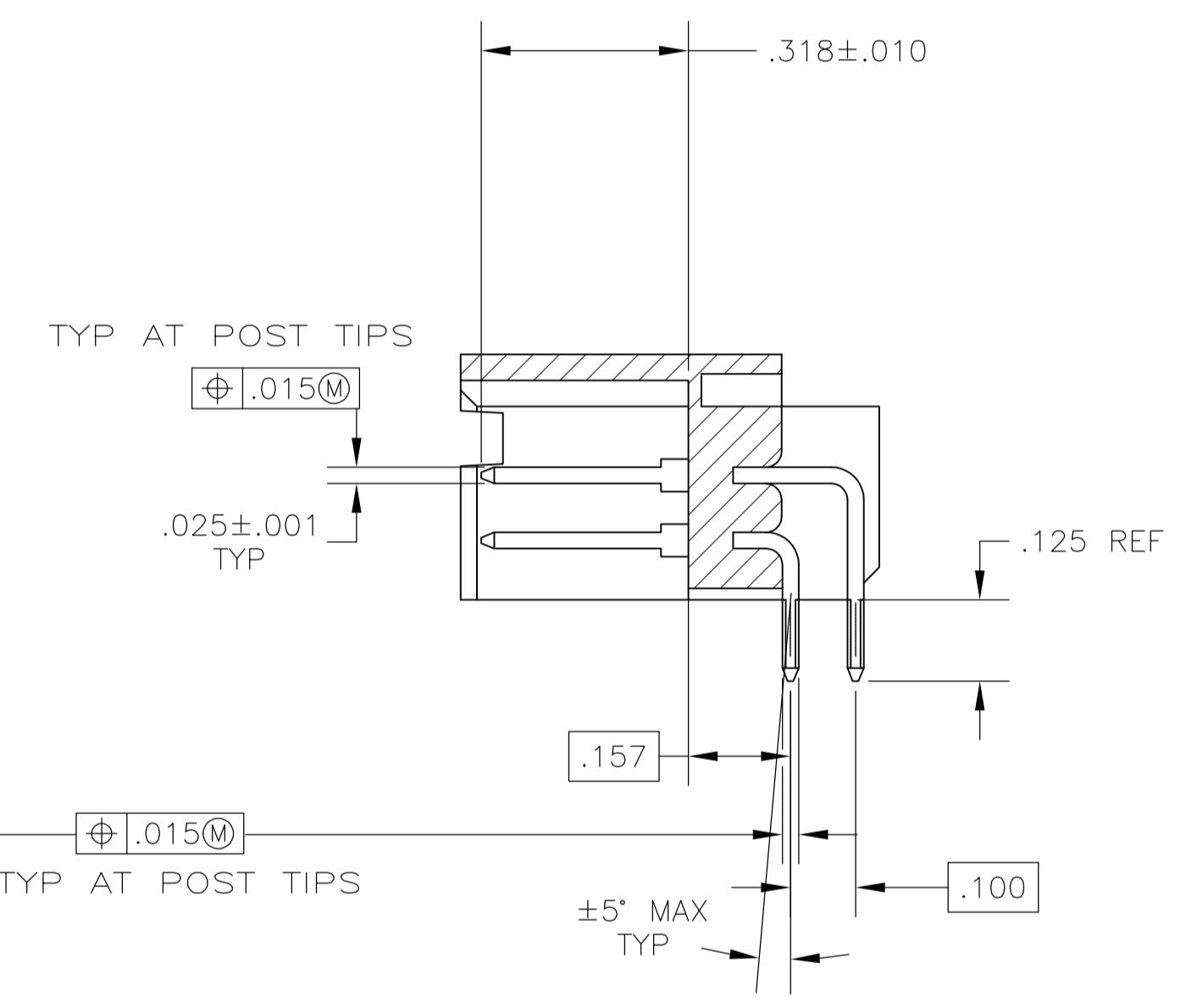
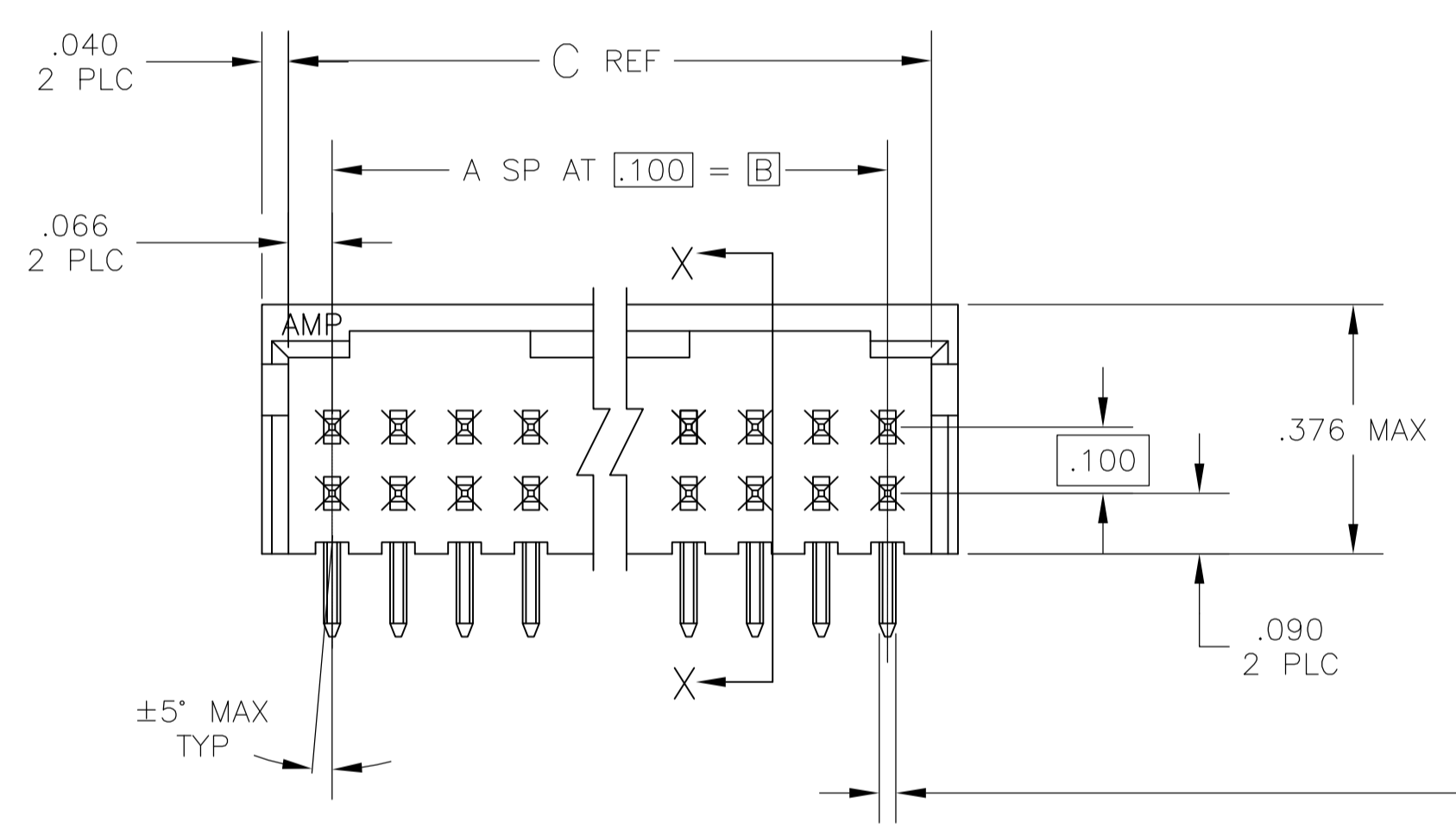


LOC		DIST		REVISIONS			
AD	00	P	LTR	DESCRIPTION	DATE	DMN	APVD
		L		EC 0G3C 0209 05	27APR05	BSV	JLG
		L1		REVISED PER ECO-09-020689	01SEP09	KK	AEG



RECOMMENDED HOLE LAYOUT



SECTION X-X

- 1 ACCESS SLOT.
- 2 CONTACT: .000100-.000200 BRIGHT TIN-LEAD OVER .000050 NICKEL.
- 3 CONTACT: .000100-.000200 MATTE TIN OVER .000050 NICKEL.
- 4 OBSOLETE PARTS: OBSOLETE CIS STREAMLINING PER D.RENAUD/D.SINISI

4	3	.332	.200	2	6	8-87572-5
4	3	3.032	2.900	29	60	7-87572-7
4	3	2.532	2.400	24	50	7-87572-2
4	3	2.032	1.900	19	40	6-87572-7
4	3	1.732	1.600	16	34	6-87572-4
4	3	1.332	1.200	12	26	6-87572-0
4	3	1.032	.900	9	20	5-87572-7
4	3	.932	.800	8	18	5-87572-6
4	3	.832	.700	7	16	5-87572-5
4	3	.732	.600	6	14	5-87572-4
4	3	.632	.500	5	12	5-87572-3
4	3	.532	.400	4	10	5-87572-2
4	3	.432	.300	3	8	5-87572-1
4	2	.332	.200	2	6	3-87572-5
4	2	3.732	3.600	36	74	3-87572-4
4	2	3.632	3.500	35	72	3-87572-3
4	2	3.532	3.400	34	70	3-87572-2
4	2	3.432	3.300	33	68	3-87572-1
4	2	3.332	3.200	32	66	3-87572-0
4	2	3.232	3.100	31	64	2-87572-9
4	2	3.132	3.000	30	62	2-87572-8
4	2	3.032	2.900	29	60	2-87572-7
4	2	2.932	2.800	28	58	2-87572-6
4	2	2.832	2.700	27	56	2-87572-5
4	2	2.732	2.600	26	54	2-87572-4
4	2	2.632	2.500	25	52	2-87572-3
4	2	2.532	2.400	24	50	2-87572-2
4	2	2.432	2.300	23	48	2-87572-1
4	2	2.332	2.200	22	46	2-87572-0
4	2	2.232	2.100	21	44	1-87572-9
4	2	2.132	2.000	20	42	1-87572-8
4	2	2.032	1.900	19	40	1-87572-7
4	2	1.932	1.800	18	38	1-87572-6
4	2	1.832	1.700	17	36	1-87572-5
4	2	1.732	1.600	16	34	1-87572-4
4	2	1.632	1.500	15	32	1-87572-3
4	2	1.532	1.400	14	30	1-87572-2
4	2	1.432	1.300	13	28	1-87572-1
4	2	1.332	1.200	12	26	1-87572-0
4	2	1.232	1.100	11	24	87572-9
4	2	1.132	1.000	10	22	87572-8
4	2	1.032	.900	9	20	87572-7
4	2	.932	.800	8	18	87572-6
4	2	.832	.700	7	16	87572-5
4	2	.732	.600	6	14	87572-4
4	2	.632	.500	5	12	87572-3
4	2	.532	.400	4	10	87572-2
4	2	.432	.300	3	8	87572-1

THIS DRAWING IS A CONTROLLED DOCUMENT.

DMN: S.A. SHUEY	11OCT89	tyco Electronics	Tyco Electronics Corporation Harrisburg, Pa 17105-3608	
CHK: R. FLICKER	25OCT89			
APVD: R. FLICKER	25OCT89	NAME: HEADER ASSY, MOD II, DBL ROW, .100X.100 C/L, RIGHT ANGLE, (3) SIDED SHROUD		
DIMENSIONS: INCHES		TOLERANCES UNLESS OTHERWISE SPECIFIED:		RESTRICTED TO
0 PLC ± -		1 PLC ± -		SIZE: A1
2 PLC ± -		3 PLC ± .005		
4 PLC ± -		ANGLES ± -		
MATERIAL: HOUSING: FLAME RETARDANT POLYIMIDE BRONZE		FINISH: SEE TABLE		
WEIGHT: -		SCALE: 4:1		SHEET 1 OF 1
CUSTOMER DRAWING		DRAWING NO: 00779		REV: 1