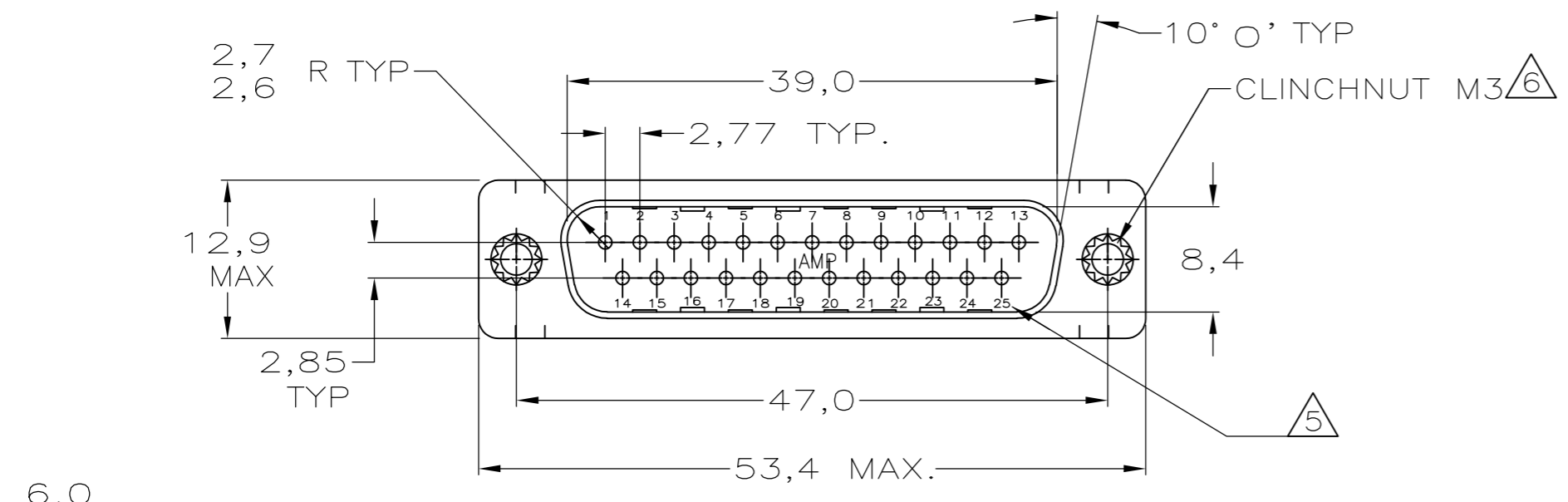
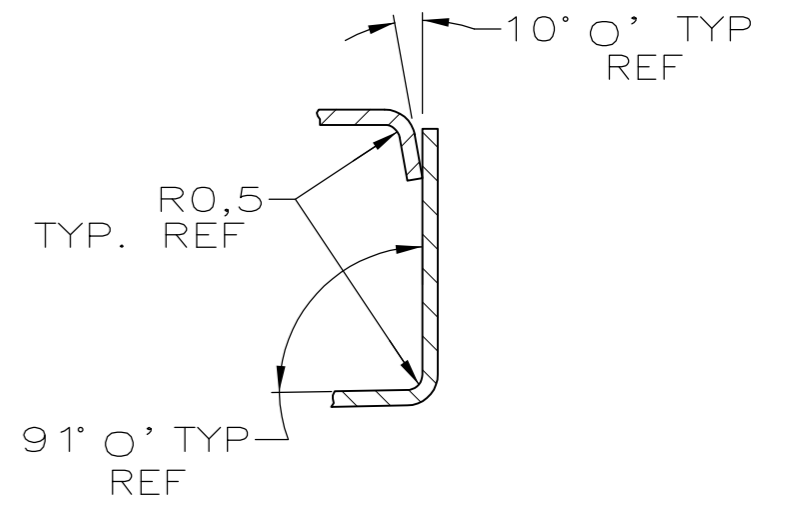


THIS DRAWING IS UNPUBLISHED. RELEASED FOR PUBLICATION
 © COPYRIGHT BY TYCO ELECTRONICS CORPORATION. ALL INTERNATIONAL RIGHTS RESERVED.

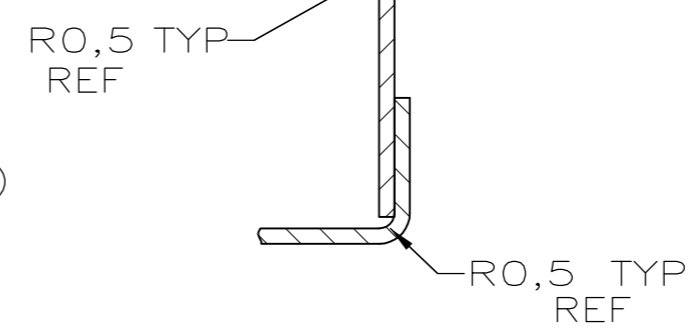
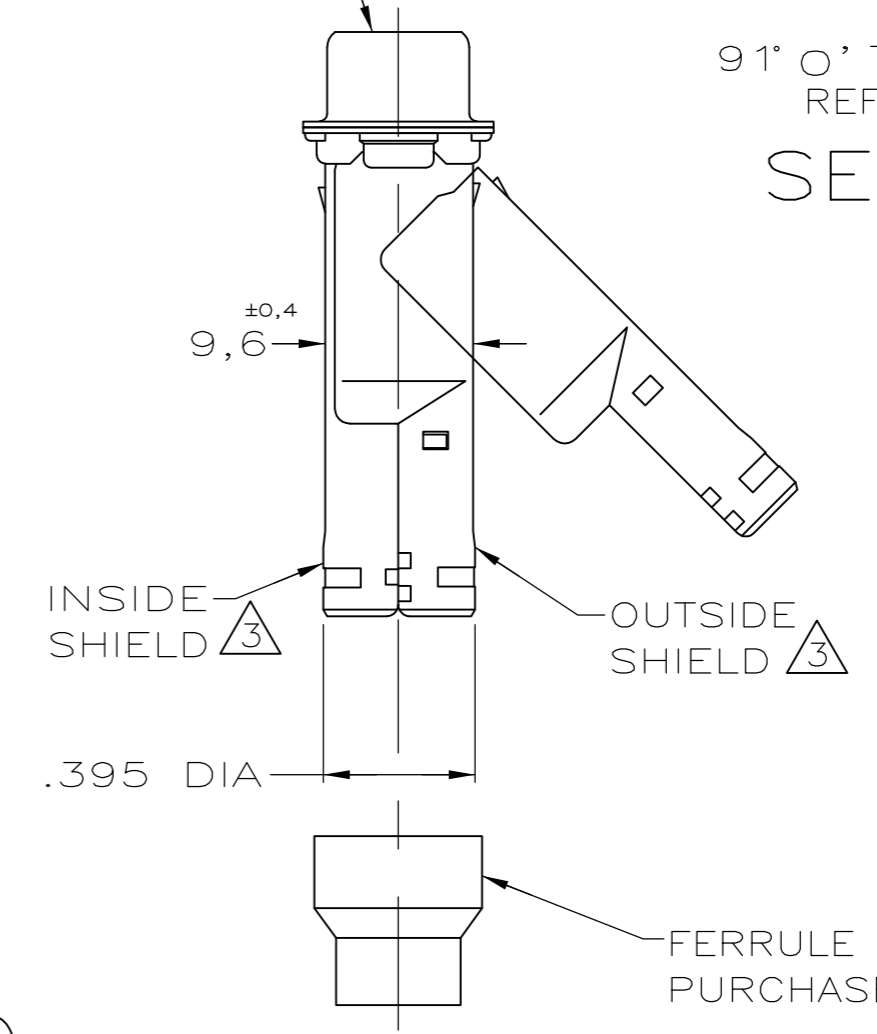
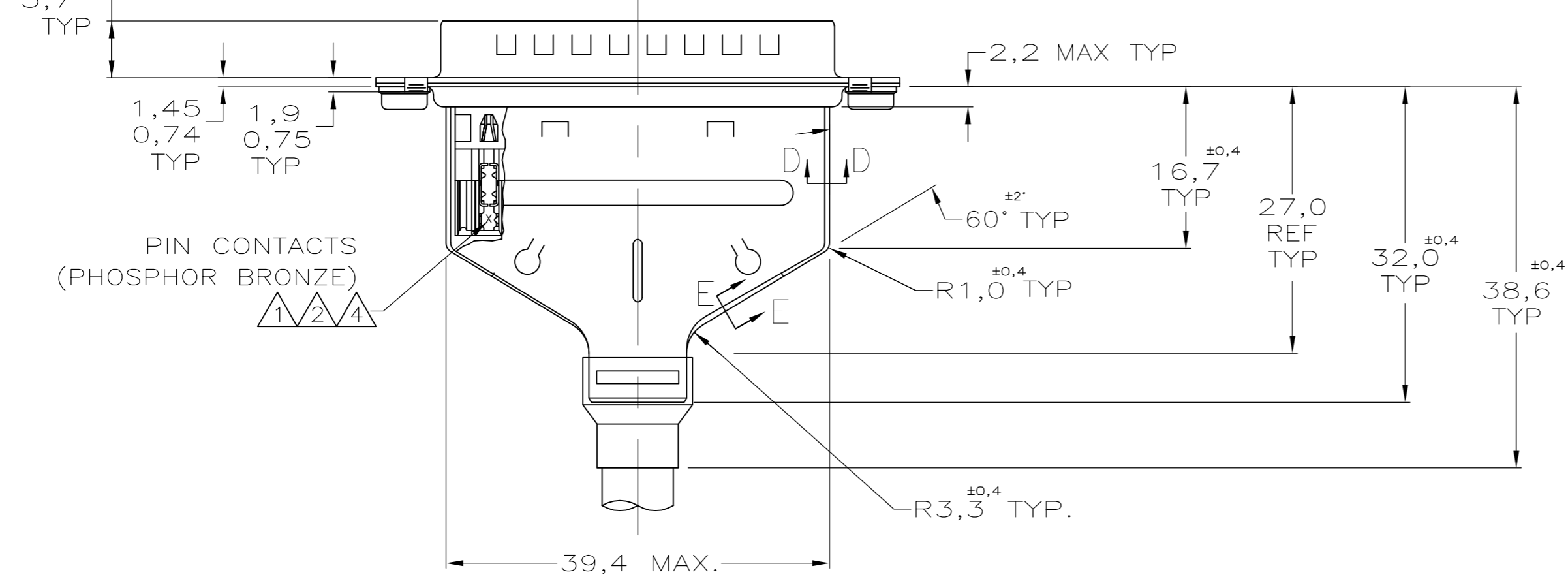
LOC	DIST	REVISIONS					
GP	00	P	LTR	DESCRIPTION	DATE	DWN	APVD
		D		REVISED PER ECO-08-008-008898	30APR08	JDP	CWR



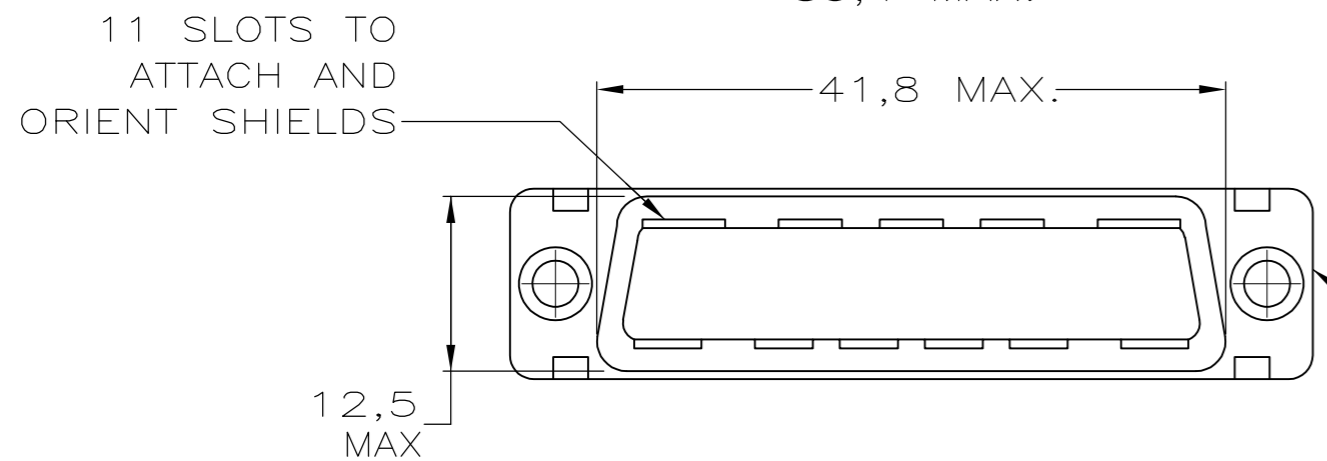
PLUG CONNECTOR
 INSERT: BLACK THERMOPLASTIC, 94V-0 RATED.
 SHELL: STEEL PER ASTM A109, BRIGHT TIN PLATED PER MIL-T-10727.



SECTION D-D
 SCALE 4:1



SECTION E-E
 SCALE 4:1



VIEW OF REAR SHELL
 (WITH SHIELDS REMOVED)

- NOTES:
- ① PLUG CONNECTOR FULLY LOADED WITH CONTACTS. ALL OTHER PARTS SHIPPED UNASSEMBLED (EACH PART INDIVIDUALLY BULK PACKED).
 - ② NUMBER ON CONTACT INDICATES WIRE RANGE.
 - ③ SHIELDS: MATERIAL- .020 THICK STEEL, TIN PLATED.
 - ④ CONTACTS PLATED .000030 GOLD ON MATING END FOR .150 MIN. LENGTH. .000100-.000200 BRIGHT TIN OR BRIGHT TIN-LEAD IN WIRE TERMINATION AREA. .000050 NICKEL UNDERPLATE ON ENTIRE CONTACT.
 - ⑤ RAISED CAVITY IDENTIFICATION AND AMP TRADEMARK.
 - ⑥ PRESSFIT NUTS INTO HOUSING. CLINCH-NUTS MUST WITHSTAND A TORQUE OF 0,9Nm min. FROM REAR SIDE OF CONNECTOR, AND A 100N min. PUSH OUT FORCE FROM MATING FACE OF CONNECTOR.
 - △ CONTACTS GOLD PLATED FOR A LENGTH OF .150 MIN FROM MATING END, .000030 MIN GOLD IN MATED AREA, .000100-.000200 MATTE TIN IN WIRE TERMINATION AREA, ALL OVER .000050 MIN NICKEL UNDERPLATE ON ENTIRE CONTACT.
 OR
 CONTACTS GOLD PLATED FOR A LENGTH OF .150 MIN FROM MATING END, GOLD FLASH OVER PALLADIUM-NICKEL, .000030 MIN TOTAL IN MATED AREA, .000100-.000200 MATTE TIN IN WIRE TERMINATION AREA, ALL OVER .000050 MIN NICKEL UNDERPLATE ON ENTIRE CONTACT.

OBSOLETE	1	⑦	#26-30	338285-3
	1	④	#26-30	338285-1
		②	FINISH WIRE RANGE	PART NUMBER

THIS DRAWING IS A CONTROLLED DOCUMENT.		DWN L. VARELA - DOCK5 11-15-04	Tyco Electronics Corporation Harrisburg, PA 17105-3608	
DIMENSIONS: mm		CHK J. GERACE 11-15-04	NAME KIT, PLUG, SHIELDING HARDWARE, SIZE 3 25 POS., HDE-20, AMPLMITE	
TOLERANCES UNLESS OTHERWISE SPECIFIED:		APVD M. WALMSLEY 11-15-04	SIZE A2 CAGE CODE 00779 C=338285	
0 PLC ± -		PRODUCT SPEC	DRAWING NO	
1 PLC ± -		APPLICATION SPEC	RESTRICTED TO	
2 PLC ± -		WEIGHT -	SCALE 2:1 SHEET 1 OF 1 REV D	
3 PLC ± -		CUSTOMER DRAWING		
4 PLC ± -				
ANGLES ± -				
MATERIAL SEE CALLOUTS		FINISH SEE CALLOUTS		