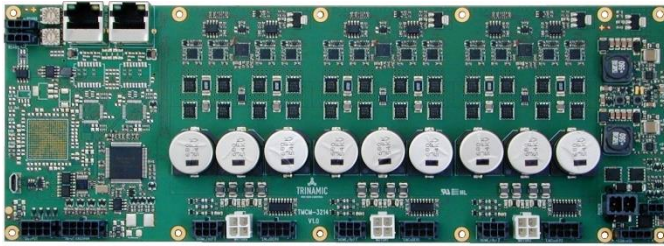


Hardware Version V 1.10

HARDWARE MANUAL



TMCM-3214 TMCM-3215

3-Axes
Stepper Controller / Driver
Up-to 6.5A RMS / 48V DC
Encoder / HOME / STOP inputs
4x analog / digital inputs
4x digital outputs
Brake chopper support
CAN, RS485, USB (TMCM-3214)
EtherCAT™, USB (TMCM-3215)

dcStep™
| | | | | | | |



stallGuard2™

TRINAMIC Motion Control GmbH & Co. KG
Hamburg, Germany

www.trinamic.com



TRINAMIC
MOTION CONTROL

Table of contents

| | | |
|-------|--|----|
| 1 | Life support policy | 3 |
| 2 | Features | 4 |
| 3 | Order codes | 5 |
| 4 | Mechanical and Electrical Interfacing | 6 |
| 4.1 | Dimensions and Mounting Holes | 6 |
| 4.2 | Board mounting considerations..... | 7 |
| 5 | Connectors of TMCM-3214 and TMCM-3215..... | 8 |
| 5.1 | TMCM-3214 Interface Brick | 8 |
| 5.1.1 | RS485 connector | 9 |
| 5.1.2 | CAN connector..... | 9 |
| 5.1.3 | USB connector | 10 |
| 5.1.4 | Inputs..... | 10 |
| 5.1.5 | Outputs | 11 |
| 5.2 | TMCM-3215 Interface Brick | 11 |
| 5.2.1 | EtherCAT™ connector..... | 12 |
| 5.2.2 | USB connector | 12 |
| 5.2.3 | Inputs..... | 12 |
| 5.2.4 | Outputs | 13 |
| 5.3 | TMCM-3214 + TMCM-3215 Driver Brick | 14 |
| 5.3.1 | Motor connector..... | 14 |
| 5.3.2 | REF / HOME connector..... | 15 |
| 5.3.3 | Encoder connector..... | 15 |
| 5.4 | TMCM-3214 + TMCM-3215 Power supply Brick | 16 |
| 5.4.1 | Power connector..... | 17 |
| 5.4.2 | Control connector..... | 17 |
| 5.4.3 | Resistor connector..... | 18 |
| 5.5 | Power supply | 18 |
| 5.6 | RS485..... | 18 |
| 5.7 | CAN | 20 |
| 5.7.1 | CAN adapter | 21 |
| 5.8 | General purpose outputs OUTo..3..... | 22 |
| 6 | Motor driver current | 23 |
| 7 | On Board LEDs..... | 24 |
| 7.1 | Power supply brick..... | 24 |
| 7.2 | TMCM-3214 Interface Brick | 24 |
| 7.3 | TMCM-3215 Interface Brick | 25 |
| 8 | Reset to Factory Default..... | 25 |
| 9 | Operational ratings | 26 |
| 10 | TMCM-3214 Functional Description..... | 27 |
| 11 | TMCM-3215 Functional Description..... | 28 |
| 12 | Revision History | 29 |
| 12.1 | Document revision | 29 |
| 12.2 | Hardware revision | 29 |
| 13 | References..... | 29 |

1 Life support policy

TRINAMIC Motion Control GmbH & Co. KG does not authorize or warrant any of its products for use in life support systems, without the specific written consent of TRINAMIC Motion Control GmbH & Co. KG.

Life support systems are equipment intended to support or sustain life, and whose failure to perform, when properly used in accordance with instructions provided, can be reasonably expected to result in personal injury or death.

© TRINAMIC Motion Control GmbH & Co. KG 2016, 2017

Information given in this data sheet is believed to be accurate and reliable. However neither responsibility is assumed for the consequences of its use nor for any infringement of patents or other rights of third parties, which may result from its use.

Specifications are subject to change without notice.



2 Features

The TMCM-3214 / TMCM-3215 is a three axes controller/driver module for 2-phase bipolar stepper motors with separate encoder (differential) and HOME / STOP switch inputs for each axis. CAN, RS485 and USB (Micro-USB) interfaces are available on the TMCM-3214 and EtherCAT™ together with USB (Micro-USB) on the TMCM-3215 for communication. Furthermore, the modules offer four analog / digital inputs and four digital outputs together with a brake chopper unit (supporting an external brake resistor) for supply voltage limitation when energy is fed back into the supply rail.

MAIN CHARACTERISTICS

Motion controller

- Motion profile calculation in real-time (linear and sixPoint™ ramps)
- On the fly alteration of motor parameters (e.g. position, velocity, acceleration)
- Dedicated HOME + STOP switch inputs (internal pull-ups)
- High performance microcontroller for overall system control and communication protocol handling

Bipolar stepper motor driver

- Up to 256 microsteps per full step
- High-efficient operation, low power dissipation
- Dynamic current control
- Integrated protection
- stealthChop™ for quiet operation and smooth motion
- dcStep™ feature for load dependent speed control
- stallGuard2™ feature for stall detection
- coolStep™ feature for reduced power consumption and heat dissipation

Interfaces

- TMCM-3214: CAN + RS485
- TMCM-3215: EtherCAT™
- USB full speed (12Mbit/s) device interface (Micro-USB)
- Differential encoder input per motor axis (3x)
- HOME, STOP_L, STOP_R switch inputs with internal pull-ups per motor axis (3x)
- 4 general purpose analog inputs (0..10V) or digital inputs (accept +24V signals)
- 4 general purpose digital outputs (open-drain, 500mA each)

Software

- TMCL™ remote (direct mode) and standalone operation with memory for up to 1024 TMCL commands
- TMCM-3214: CANopen firmware available
- TMCM-3215: CoE (CANopen over EtherCAT™) firmware available

Electrical data

- Supply voltage: nom. +24V and +48V with +18V ... +53V supply voltage operating range
- Motor current: up to 6.5A RMS (programmable)

Mechanical data

- Board size: 280mm x 100mm, overall height 21mm max. (incl. pcb but, without mating connectors and cables)
- 12x M3 mounting holes (optional)

Please see separate TMCM-3214 / TMCM-3215 Software / Firmware documentation for additional information regarding programming and communication protocol.

3 Order codes

The TMCM-3214 unit is available with two different firmware options:

| Order code | Description | Size of unit |
|-------------------|---|----------------------|
| TMCM-3214-TMCL | 3-axes closed-loop controller / driver up-to 6.5A RMS / +48V, CAN + RS485 + USB with TMCL firmware | 280mm x 100mm x 21mm |
| TMCM-3214-CANopen | 3-axes closed-loop controller / driver up-to 6.5A RMS / +48V, CAN + RS485 + USB with CANopen firmware | 280mm x 100mm x 21mm |

Table 3.1: TMCM-3214 order code

The TMCM-3215 unit is available as:

| Order code | Description | Size of unit |
|---------------|--|----------------------|
| TMCM-3215-CoE | 3-axes closed-loop controller / driver up-to 6.5A RMS / +48V, EtherCAT™ + USB with CANopen over EtherCAT™ firmware | 280mm x 100mm x 21mm |

Table 3.2: TMCM-3215 order code

A cable loom is available, also:

| Order code | Description |
|---------------|--|
| TMCM-G4-CABLE | <p>Cable loom for TMCM-6210/6211, TMCM-6212/6213, TMCM-3212/3213, TMCM-3214/3215, TMCM-3312/3313 and TMCM-3314/3315. Contains:</p> <ul style="list-style-type: none"> - 1x cable loom for RS485 connector (3214) - 1x standard CAT5 cable with 2x RJ45 for CAN / EtherCAT™ (3214/3215) - 1x RJ45-2-DSUB_G4_V10 adapter (for CAN RJ45 <-> D-SUB translation) (3214) - 1x Micro-USB cable (3214/3215) - 1x cable loom for INPUTs connector (3214/3215) - 1x cable loom for OUTPUTs connector (3214/3215) - 6x cable loom for MOTOR connector (small) - 3x cable loom for MOTOR connector (big) (3x required for 3214/3215) - 6x cable loom for ENCODER connector (3x required for 3214/3215) - 6x cable loom for REF / HOME connector (3x required for 3214/3215) - 1 cable loom for POWER connector (small) - 1x cable loom for POWER connector (big) (3214/3215) - 1x cable loom for CONTROL connector (3214/3215) - 1x cable loom for RESISTOR connector (3214/3215) |

Please note: there is one cable loom available for a complete family of modules in order to speed-up initial setup of these modules. The family consists of these currently planned / available modules: TMCM-6210/6211, TMCM-6212/6213, TMCM-3212/3213, TMCM-3214/3215, TMCM-3312/3313 and TMCM-3314/3315. Not all cables are required for all modules – some cable will fit or will be helpful for some modules, only. Module numbers in parenthesis behind each cable in the table above indicate whether the particular part of the cable loom can be used with the TMCM-3214 and / or TMCM-3215.

4.2 Board mounting considerations

The TMC3214 / TMC3215 offer 12 metal plated mounting holes. One hole (lower right) is connected to on-board system ground (connected to power supply input ground) via $1M$ ($500VDC$) \parallel $1nF$ ($1kV$). The same combination of resistor and capacitor is used for connecting the RJ45 shield ground (connector enclosure) to power supply input ground (see figure 4.2).

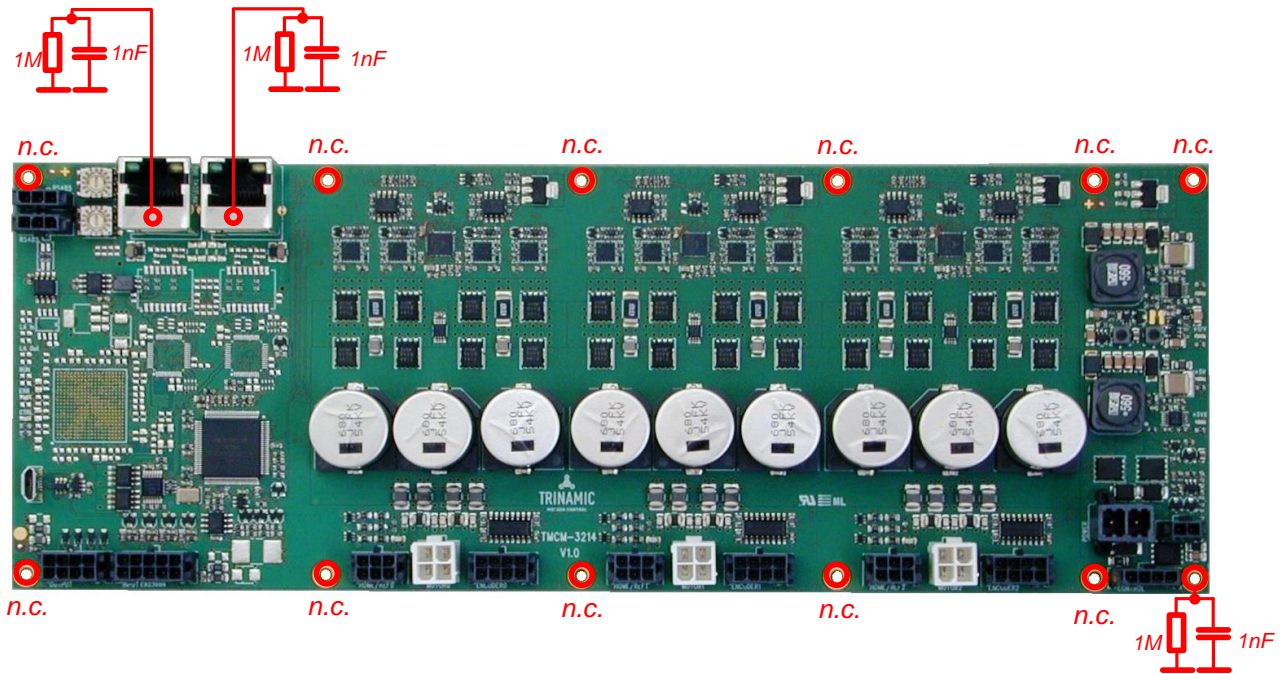


Figure 4.2 TMC3214 / TMC3215 mounting hole connections

All other mounting holes are electrically isolated. Please note that not all holes have to be used for mounting the pcb. At least the mounting holes in all four corners and two in the middle (6 altogether) should be used to ensure adequate support of the pcb when inserting / removing connectors in order to avoid significant bending of the pcb.

In any case: please remove / attach mating connectors carefully – supporting the pcb if necessary!

5 Connectors of TMCM-3214 and TMCM-3215

The TMCM-3214 and TMCM-3215 are two members of a new family of modules with a modular architecture composed of so called "bricks".

The TMCM-3214 and TMCM-3215 consist of one interface brick, three single-axes stepper motor controller / driver bricks and one supply brick. With the TMCM-3214 the interface brick offers CAN and RS485 interfaces while with the TMCM-3215 the EtherCAT™ option is assembled instead. All other bricks are the same for both modules.

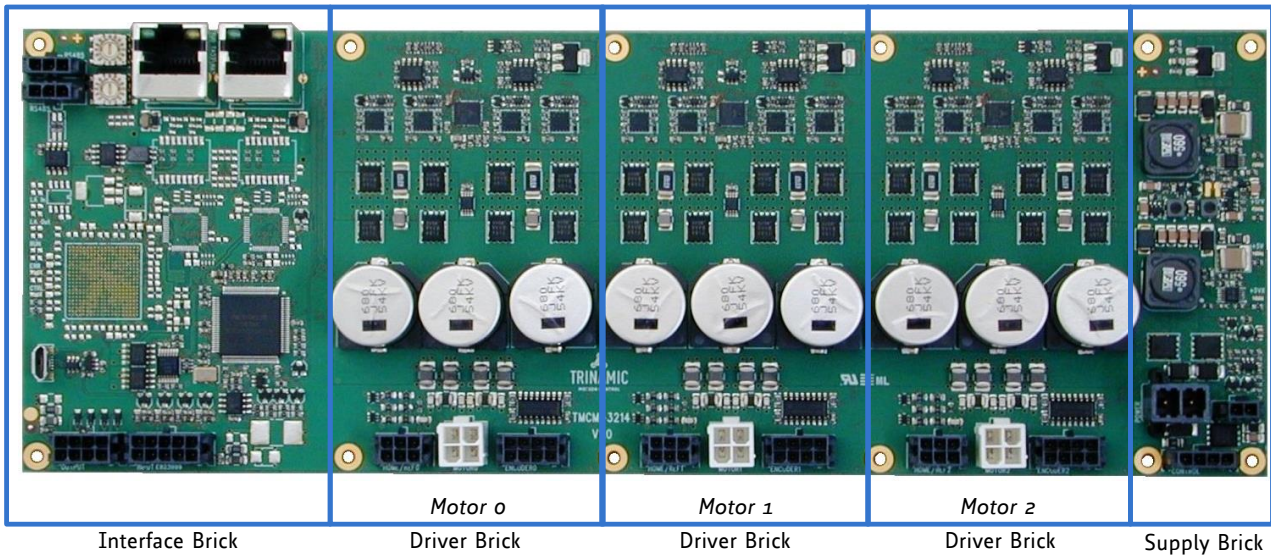


Figure 5.1 different bricks used for the TMCM-3214 / TMCM-3215

5.1 TMCM-3214 Interface Brick

The interface brick of the TMCM-3214 offers RS485, CAN and USB interfaces for communication, four general purpose analog inputs (which can be used as digital inputs as well) and four open-drain outputs.

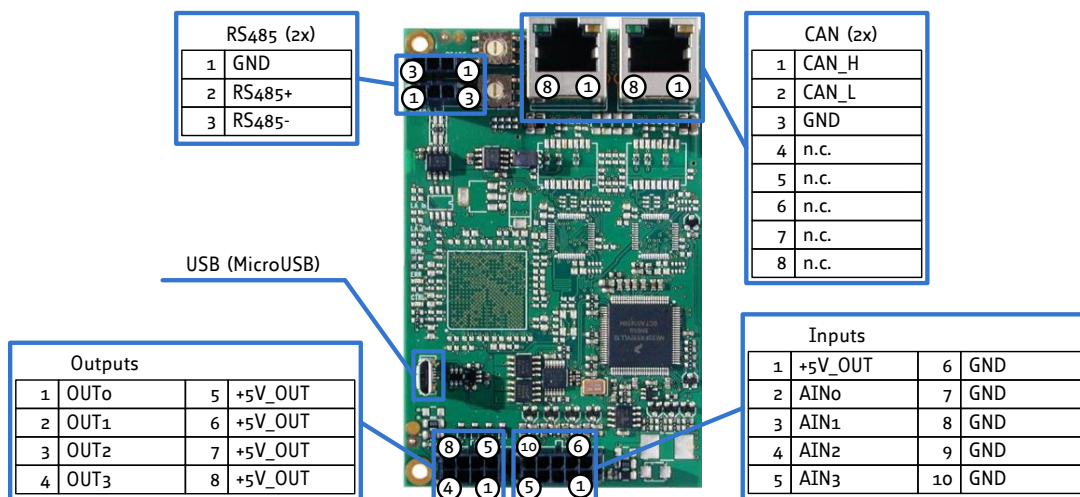


Figure 5.2 TMCM-3214 interface brick

Connector and mating connector overview:

| Label | Connector type | Mating connector type |
|---------|---|---|
| RS485 | Molex MicroFit™, 436500315 1x4 pin header, 3mm pitch | Molex MicroFit™, Housing: 43645-0300 Contacts: 43030-0007 |
| CAN | RJ45 plug connector | e.g. Standard CAT 5 / CAT 5e cables may be used |
| USB | Micro-USB connector, type B (USB device interface) | Standard Micro-USB |
| Inputs | Molex MicroFit™, 430451012 2x5 pin header, 3mm pitch | Molex MicroFit™, Housing: 43025-1000 Contacts: 43030-0007 |
| Outputs | Molex MicroFit™, 430450812 2x4 pin header, 3mm pitch | Molex MicroFit™, Housing: 43025-0800 Contacts: 43030-0007 |

Table 5.1 TMC3214 interface brick: connectors and mating connectors

5.1.1 RS485 connector

There are two RS485 connectors on the board with the same pin assignment – pins directly connected to each other. The second connector may be used for attaching a bus termination resistor to the RS485 bus (there is no termination resistor on-board) or for further distribution of the RS485 bus signals to other RS485 communication nodes while maintaining a proper bus structure.

A three pin Molex MicroFit™ connector (Molex part no. 436500315) is used for RS485 connection. Mating connector housing e.g. Molex 43645-0300, contacts Molex 43030-0007. Please note that there are alternative options available from Molex for both, housing and contacts.

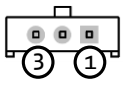
|  | Pin | Label | Direction | Description |
|---|-----|--------|----------------|---|
| | 1 | GND | Power | Supply and signal ground |
| | 2 | RS485+ | Bi-directional | RS485 interface, diff. signal (non-inverting) |
| | 3 | RS485- | Bi-directional | RS485 interface, diff signal (inverting) |

Table 5.1: Interface Brick: RS485 connector

5.1.2 CAN connector

There are two CAN connectors on the board with the same pin assignment – pins directly connected to each other. The second one may be used for attaching a bus termination resistor to the RS485 bus (there is no termination resistor on-board) or for further distribution of the CAN bus signals to other CAN nodes while maintaining a proper bus structure.

A standard RJ45 plug connector is used for CAN communication. Standard CAT cables (e.g. CAT 5, non-crossing) might be used for connection. Pin assignment of the RJ45 is based on the CiA 303-1 recommendation.


|  | Pin | Label | Direction | Description |
|---|-----|-------|----------------|--|
| | 1 | CAN_H | Bi-Directional | CAN interface, diff signal (non-inverting) |
| | 2 | CAN_L | Bi-directional | CAN interface, diff signal (inverting) |
| | 3 | GND | Power | Supply and signal ground |
| | 4 | n.c. | | |
| | 5 | n.c. | | |
| | 6 | n.c. | | |
| | 7 | n.c. | | |
| | 8 | n.c. | | |

Table 5.2 Interface Brick: CAN connector

5.1.3 USB connector

The TMCM-3214 / TMCM-3215 offers a Micro USB connector (Type B, device interface) for communication. The USB interface supports USB high speed communication (12Mbit/s).

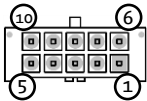
With USB attached the digital logic part of the TMCM-3214 will be supplied via USB (USB powered mode) if there is no main supply available. This mode may be used for firmware-updates, TMCL-program download or parameter settings etc. (requires USB connection, only). Please note that in USB stand-alone mode (main board supply available) the board might still draw current from the USB supply – depending on the voltage level of the USB +5V and the on-board generated +5V.

Please note that the USB powered mode is not available with the TMCM-3215 due to higher power consumption of the digital part.

5.1.4 Inputs

The TMCM-3214 / TMCM-3215 offer four analog inputs (nom. 0..10V range) which may be used as digital inputs, also (+24V tolerant).

The four inputs are available via one 10 pin Molex MicroFit™ connector (Molex part no. 430451012). Mating connector housing e.g. Molex 43025-1000, contacts Molex 43030-0007. Please note that there are alternative options available from Molex for both, mating housing and contacts.



| Pin | Label | Direction | Description |
|-----|---------|--------------|--|
| 1 | +5V_OUT | Power output | Connected to the on-board +5V auxiliary DC/DC converter. All +5V_OUT power supply outputs together on the 3 REF / HOME, 3 Encoder connectors, Output connector and this Input connector may draw up-to 1A (e.g. 100mA per encoder and up-to 20mA per REF / HOME switch). |
| 2 | AIN0 | Input | Analog input channel 0 (nom. 0..10V) |
| 3 | AIN1 | Input | Analog input channel 1 (nom. 0..10V) |
| 4 | AIN2 | Input | Analog input channel 2 (nom. 0..10V) |
| 5 | AIN3 | Input | Analog input channel 3 (nom. 0..10V) |
| 6 | GND | Power | Supply and signal ground |
| 7 | GND | Power | Supply and signal ground |
| 8 | GND | Power | Supply and signal ground |
| 9 | GND | Power | Supply and signal ground |
| 10 | GND | Power | Supply and signal ground |

Table 5.3: Interface Brick: Input connector

5.1.5 Outputs

The TMCM-3214 / TMCM-3215 offer four digital outputs (open-drain). The four outputs are available via one 8 pin Molex MicroFit™ connector (Molex part no. 43045-0812). Mating connector housing e.g. Molex 43025-0800, contacts Molex 43030-0007. Please note that there are alternative options available from Molex for both, mating housing and contacts.

| Pin | Label | Direction | Description |
|-----|------------------|--------------|--|
| 1 | OUT ₀ | Output | Open-drain output |
| 2 | OUT ₁ | Output | Open-drain output |
| 3 | OUT ₂ | Output | Open-drain output |
| 4 | OUT ₃ | Output | Open-drain output |
| 5 | +5V_OUT | Power output | Connected to the on-board +5V auxiliary DC/DC converter. All +5V_OUT power supply outputs together on the 3 REF / HOME, 3 Encoder connectors, Input connector and this Output connector may draw up-to 1A (e.g. 100mA per encoder and up-to 20mA per REF / HOME switch). |
| 6 | +5V_OUT | Power output | Connected to the on-board +5V auxiliary DC/DC converter. All +5V_OUT power supply outputs together on the 3 REF / HOME, 3 Encoder connectors, Input connector and this Output connector may draw up-to 1A (e.g. 100mA per encoder and up-to 20mA per REF / HOME switch). |
| 7 | +5V_OUT | Power output | Connected to the on-board +5V auxiliary DC/DC converter. All +5V_OUT power supply outputs together on the 3 REF / HOME, 3 Encoder connectors, Input connector and this Output connector may draw up-to 1A (e.g. 100mA per encoder and up-to 20mA per REF / HOME switch). |
| 8 | +5V_OUT | Power output | Connected to the on-board +5V auxiliary DC/DC converter. All +5V_OUT power supply outputs together on the 3 REF / HOME, 3 Encoder connectors, Input connector and this Output connector may draw up-to 1A (e.g. 100mA per encoder and up-to 20mA per REF / HOME switch). |

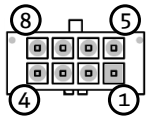


Table 5.4: Interface Brick: Output connector

5.2 TMCM-3215 Interface Brick

The interface brick of the TMCM-3215 offers EtherCAT™ and USB interfaces for communication, four general purpose analog inputs (which can be used as digital inputs as well) and four open-drain outputs.

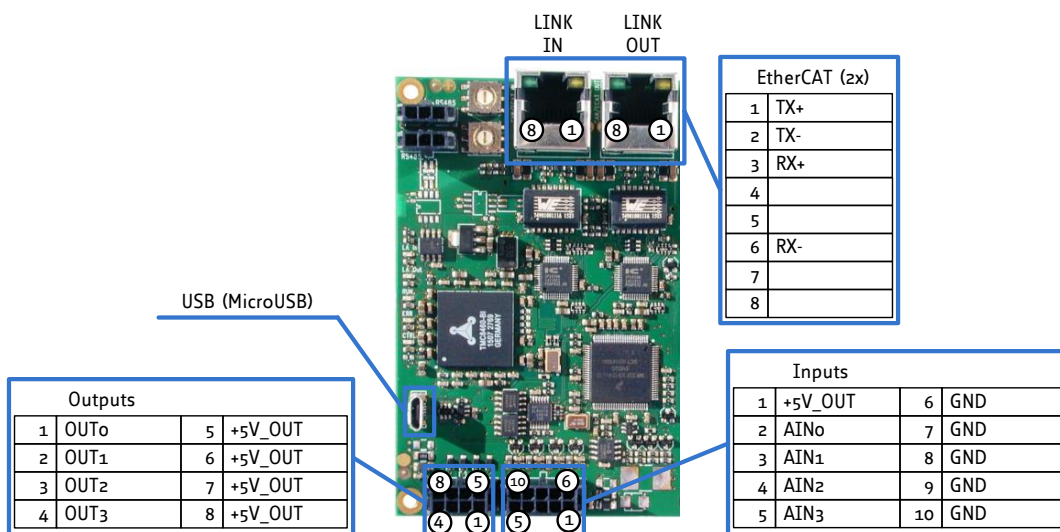


Figure 5.3 TMCM-3215 interface brick

Connector and mating connector overview:

| Label | Connector type | Mating connector type |
|-----------|---|---|
| EtherCAT™ | RJ45 plug connector | e.g. Standard CAT 5 / CAT 5e cables suitable for 100Mbit/s Ethernet |
| USB | Micro-USB connector, type B (USB device interface) | Standard Micro-USB |
| Inputs | Molex MicroFit™, 43045-1012 2x5 pin header, 3mm pitch | Molex MicroFit™, Housing: 43025-1000 Contacts: 43030-0007 |
| Outputs | Molex MicroFit™, 43045-0812 2x4 pin header, 3mm pitch | Molex MicroFit™, Housing: 43025-0800 Contacts: 43030-0007 |

Table 5.5: TMCM-3215 interface brick: connectors and mating connectors

5.2.1 EtherCAT™ connector

There are two EtherCAT™ connectors on the board – one for LINK IN (towards / coming from EtherCAT™ master) and one for LINK OUT (for connecting further slaves) connection.

A standard RJ45 plug connector (as used for 10/100Mbit/s Ethernet) is used for EtherCAT™ communication. Standard CAT cables suitable for 100Mbit/s Ethernet (e.g. CAT 5 / 5e etc.) might be used for connection. The PHYs used on the TMCM-3215 support auto MDI-X – therefore, TX and RX signals on the connector might be exchanged – e.g. cables with straight-through pin-assignment can be used.


| | Pin | Label | Direction | Description |
|---|-----|-------|-----------|---|
|  | 1 | TX+ | Output | Transmit data output, differential, non-inverting |
| | 2 | TX- | Output | Transmit data output, differential, inverting |
| | 3 | RX+ | Input | Receive data input, differential, non-inverting |
| | 4 | | | |
| | 5 | | | |
| | 6 | RX- | Input | Receive data input, differential, inverting |
| | 7 | | | |
| | 8 | | | |

Table 5.6: TMCM-3213 Interface Brick: EtherCAT™ connector

5.2.2 USB connector

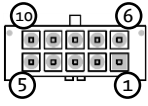
The TMCM-3214 / TMCM-3215 offers a Micro USB connector (Type B, device interface) for communication. The USB interface supports USB high speed communication (12Mbit/s).

USB powered mode is not available with the TMCM-3215.

5.2.3 Inputs

The TMCM-3214 / TMCM-3215 offer four analog inputs (nom. 0..10V range) which may be used as digital inputs, also (+24V tolerant).

The four inputs are available via one 10 pin Molex MicroFit™ connector (Molex part no. 430451012). Mating connector housing e.g. Molex 43025-1000, contacts Molex 43030-0007. Please note that there are alternative options available from Molex for both, mating housing and contacts.

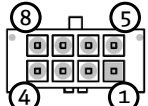


| Pin | Label | Direction | Description |
|-----|---------|--------------|--|
| 1 | +5V_OUT | Power output | Connected to the on-board +5V auxiliary DC/DC converter. All +5V_OUT power supply outputs together on the 3 REF / HOME, 3 Encoder connectors, Output connector and this Input connector may draw up-to 1A (e.g. 100mA per encoder and up-to 20mA per REF / HOME switch). |
| 2 | AIN0 | Input | Analog input channel 0 (nom. 0..10V) |
| 3 | AIN1 | Input | Analog input channel 1 (nom. 0..10V) |
| 4 | AIN2 | Input | Analog input channel 2 (nom. 0..10V) |
| 5 | AIN3 | Input | Analog input channel 3 (nom. 0..10V) |
| 6 | GND | Power | Supply and signal ground |
| 7 | GND | Power | Supply and signal ground |
| 8 | GND | Power | Supply and signal ground |
| 9 | GND | Power | Supply and signal ground |
| 10 | GND | Power | Supply and signal ground |

Table 5.7: Interface Brick: Input connector

5.2.4 Outputs

The TMCM-3214 / TMCM-3215 offer four digital outputs (open-drain). The four outputs are available via one 8 pin Molex MicroFit™ connector (Molex part no. 43045-0812). Mating connector housing e.g. Molex 43025-0800, contacts Molex 43030-0007. Please note that there are alternative options available from Molex for both, mating housing and contacts.



| Pin | Label | Direction | Description |
|-----|---------|--------------|--|
| 1 | OUT0 | Output | Open-drain output channel 0 |
| 2 | OUT1 | Output | Open-drain output channel 1 |
| 3 | OUT2 | Output | Open-drain output channel 2 |
| 4 | OUT3 | Output | Open-drain output channel 3 |
| 5 | +5V_OUT | Power output | Connected to the on-board +5V auxiliary DC/DC converter. All +5V_OUT power supply outputs together on the 3 REF / HOME, 3 Encoder connectors, Input connector and this Output connector may draw up-to 1A (e.g. 100mA per encoder and up-to 20mA per REF / HOME switch). |
| 6 | +5V_OUT | Power output | Connected to the on-board +5V auxiliary DC/DC converter. All +5V_OUT power supply outputs together on the 3 REF / HOME, 3 Encoder connectors, Input connector and this Output connector may draw up-to 1A (e.g. 100mA per encoder and up-to 20mA per REF / HOME switch). |
| 7 | +5V_OUT | Power output | Connected to the on-board +5V auxiliary DC/DC converter. All +5V_OUT power supply outputs together on the 3 REF / HOME, 3 Encoder connectors, Input connector and this Output connector may draw up-to 1A (e.g. 100mA per encoder and up-to 20mA per REF / HOME switch). |
| 8 | +5V_OUT | Power output | Connected to the on-board +5V auxiliary DC/DC converter. All +5V_OUT power supply outputs together on the 3 REF / HOME, 3 Encoder connectors, Input connector and this Output connector may draw up-to 1A (e.g. 100mA per encoder and up-to 20mA per REF / HOME switch). |

Table 5.8: Interface Brick: Output connector

5.3 TMC3214 + TMC3215 Driver Brick

The driver brick of the TMC3214 and TMC3215 includes a single axis motion controller (supporting linear + S-ramps and closed-loop support with external encoder) and a bipolar stepper motor driver with up-to 6.5A RMS / 9A peak motor current (programmable). It offers dedicated HOME + REFL and REFR inputs and encoder inputs for incremental ABN encoders with differential signals. The TMC3214 and TMC3215 offer three such driver bricks, supporting 3 stepper motors altogether.

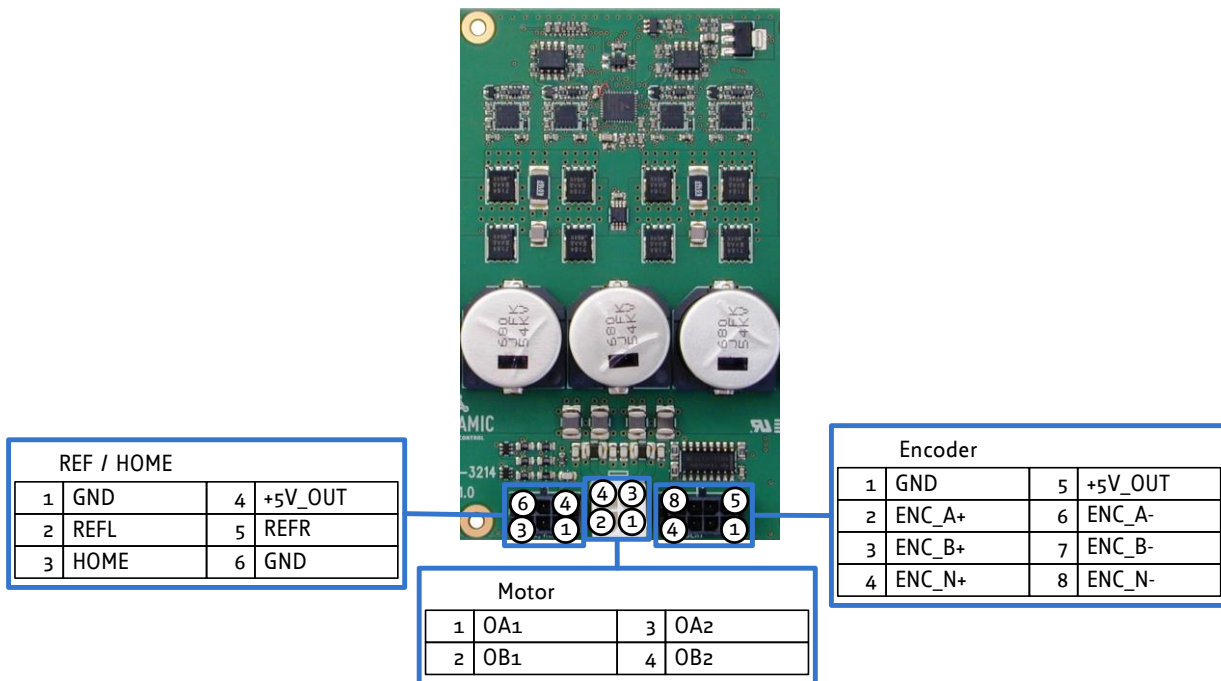


Figure 5.4 TMC3214 + TMC3215 Driver Brick

| Label | Connector type | Mating connector type |
|------------|---|---|
| Motor | Molex MiniFit Jr.™, 39-28-8040 2x2 pin header, 3mm pitch | Molex MicroFit Jr.™, Housing: 39-01-2040 Contacts: 39-00-0039 |
| REF / HOME | Molex MicroFit™, 43045-0612 2x3 pin header, 3mm pitch | Molex MicroFit™, Housing: 43025-0600 Contacts: 43030-0007 |
| Encoder | Molex MicroFit™, 43045-0812 2x4 pin header, 3mm pitch | Molex MicroFit™, Housing: 43025-0800 Contacts: 43030-0007 |

Table 5.9 TMC3214 and TMC3215 Driver brick: connectors and mating connectors

5.3.1 Motor connector

Each motor (with two coils A + B and four connecting wires) can be connected via one 4 pin Molex MiniFit™ connector (Molex part no. 39-28-8040). Mating connector housing e.g. Molex 39-01-2040, contacts Molex 39-00-0039. Please note that there are alternative options available from Molex for both, mating housing and contacts.

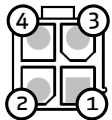
| | Pin | Label | Direction | Description |
|---|-----|-------|-----------|--------------|
|  | 1 | OA1 | Output | Motor coil A |
| | 2 | OB1 | Output | Motor coil B |
| | 3 | OA2 | Output | Motor coil A |
| | 4 | OB2 | Output | Motor coil B |

Table 5.10: Driver Brick: Motor connector

| CAUTION | |
|---|--|
| Do not connect or disconnect motor during operation! | |
| Motor cable and motor inductivity might lead to voltage spikes when the motor is disconnected / connected while energized. These voltage spikes might exceed voltage limits of the driver MOSFETs and might permanently damage them. Therefore, always switch off and / or disconnect power supply before connecting / disconnecting the motor. | |

5.3.2 REF / HOME connector

There is one REF / HOME connector per driver brick – one for each motor axis. HOME, REFL and / or REFR switches may be connected via one 6 pin Molex MicroFit™ connector (Molex part no. 43045-0612). Mating connector housing e.g. Molex 43025-0600, contacts Molex 43030-0007. Please note that there are alternative options available from Molex for both, mating housing and contacts.

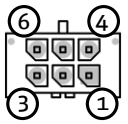
| | Pin | Label | Direction | Description |
|--|-----|---------|--------------|--|
|  | 1 | GND | Power | Supply and signal ground |
| | 2 | REFL | Input | REF left / Left stop switch input. Internal pull-up (5k6) to +5V. External switch to ground may be connected or up-to +5V push-pull signal. |
| | 3 | HOME | Input | Home switch input. Internal pull-up (5k6) to +5V. External switch to ground may be connected or up-to +5V push-pull signal. |
| | 4 | +5V_OUT | Power output | Connected to the on-board +5V auxiliary DC/DC converter. All +5V_OUT power supply outputs together on the 3 REF / HOME, 3 Encoder connectors and the Output connector may draw up-to 1A (e.g. 100mA per encoder and up-to 20mA per REF / HOME switch). |
| | 5 | REFR | Input | REF right / Right stop switch input. Internal pull-up (5k6) to +5V. External switch to ground may be connected or up-to +5V push-pull signal. |
| | 6 | GND | Power | Supply and signal ground |

Table 5.11: Driver Brick: REF / HOME connector

5.3.3 Encoder connector

There is one Encoder connector per driver brick – one for each motor axis. Incremental A/B/N encoders with differential encoder signals are supported. The TMCM-3214 / TMCM-3215 offer on-board differential line receivers (AM26LV32 or equivalent) with 120R termination resistor per differential signal pair. Differential encoder signals may be connected via one 8 pin Molex MicroFit™ connector (Molex part no. 43045-0812). Mating connector housing e.g. Molex 43025-0800, contacts Molex 43030-0007. Please note that there are alternative options available from Molex for both, mating housing and contacts.

| Pin | Label | Direction | Description |
|-----|---------|--------------|--|
| 1 | GND | Power | Supply and signal ground |
| 2 | ENC_A+ | Input | Differential input of encoder channel A, non-inverting input |
| 3 | ENC_B+ | Input | Differential input of encoder channel B, non-inverting input |
| 4 | ENC_N+ | Input | Differential input of encoder null / zero channel, non-inverting input |
| 5 | +5V_OUT | Power output | Connected to the on-board +5V auxiliary DC/DC converter. All +5V_OUT power supply outputs together on the 3 REF / HOME, 3 Encoder connectors and the Output connector may draw up-to 1A (e.g. 100mA per encoder and up-to 20mA per REF / HOME switch). |
| 6 | ENC_A- | Input | Differential input of encoder channel A, inverting input |
| 7 | ENC_B- | Input | Differential input of encoder channel B, inverting input |
| 8 | ENC_N- | Input | Differential input of encoder null / zero channel, inverting input |

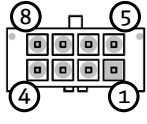


Table 5.12: Driver Brick: Encoder connector

5.4 TMCM-3214 + TMCM-3215 Power supply Brick

The power supply brick of the TMCM-3214 and TMCM-3215 offers one main supply input via the Power connector, separate logic supply input as an option and a hardware driver stage enable input on the Control connector and connection for an external brake connector with the on-board brake chopper circuit.

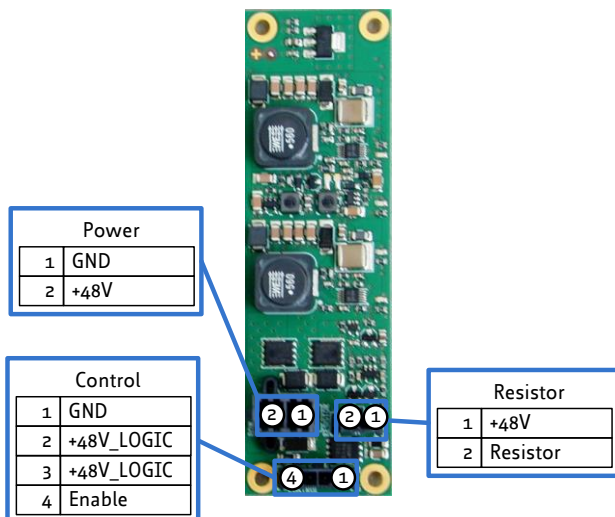


Figure 5.5: TMCM-3214 + TMCM-3215 Power supply Brick

Connector and mating connector overview:

| Label | Connector type | Mating connector type |
|----------|--|--|
| Power | Molex MegaFit™, 172065-0002 1x2 pin header, 5.7mm pitch | Molex MegaFit™, Housing: 171692-0102 Contacts: 172063-0312 |
| Control | Molex MicroFit™, 43650-0415 1x4 pin header, 3mm pitch | Molex MicroFit™, Housing: 43645-0400 Contacts: 43030-0007 |
| Resistor | Molex MicroFit™, 43650-0215 2x4 pin header, 3mm pitch | Molex MicroFit™, Housing: 43645-0200 Contacts: 43030-0007 |

Table 5.13 TMCM-3214 and TMCM-3215 Power supply brick: connectors and mating connectors

5.4.1 Power connector

A two pin Molex MegaFit™ connector (Molex part no. 172065-0002) is available for power supply connection. Mating connector housing e.g. Molex 171692-0102, contacts Molex 172063-0312. Please note that there are alternative options available from Molex for both, housing and contacts.

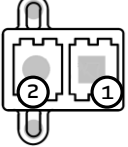
|  | Pin | Label | Direction | Description |
|---|-----|-------|--------------------|--|
| | 1 | GND | Power | Supply and signal ground |
| | 2 | +48V | Power supply input | Power supply input. +24V ... +48V +/- 10% regulated power supply input. Supply input for all three motor driver stages and logic supply. |

Table 5.14: Power supply Brick: Power connector

| CAUTION |
|--|
| <p>Always keep the power supply voltage (+48V) below the upper limit of 53V! Otherwise the driver electronics will be seriously damaged. Especially, when the selected operating voltage is near the upper limit a regulated power supply is highly recommended.</p> |
| <p>Always keep the logic power supply voltage (+48V_LOGIC) above or equal to the main power supply! Otherwise the on-board electronics (diode connection between +48V main power supply input and +48V logic supply input) might be seriously damaged.</p> |

5.4.2 Control connector

A four pin Molex MicroFit™ connector (Molex part no. 436500415) is used for the driver stage enable signal and optional separate logic supply input. Mating connector housing e.g. Molex 43645-0400, contacts Molex 43030-0007. Please note that there are alternative options available from Molex for both, housing and contacts.

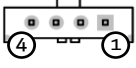
|  | Pin | Label | Direction | Description |
|---|-----|------------|--------------------|---|
| | 1 | GND | Power | Supply and signal ground |
| | 2 | +48V_LOGIC | Power supply input | Separate logic supply input. May be used in order to keep digital / logic part alive while driver stage is not supplied (Power supply input via Power connector either switched off or disconnected). |
| | 3 | +48V_LOGIC | Power supply input | Same as Pin 2. |
| | 4 | ENABLE | Input | Driver stage enable input (logic high). Maybe connected to pin 3 / +48V_LOGIC in order to enable driver. |

Table 5.15: Power supply brick: Control connector

| CAUTION |
|---|
| <p>Always keep the digital logic power supply voltage (+48V_LOGIC) below the upper limit of 53V! Otherwise the on-board electronics might be seriously damaged. Especially, when the selected operating voltage is near the upper limit a regulated power supply is highly recommended.</p> |
| <p>Always keep the logic power supply voltage (+48V_LOGIC) above or equal to the main power supply (on the Power supply connector)! Otherwise the on-board electronics (diode connection between +48V main power supply input and +48V logic supply input) might be seriously damaged.</p> |

5.4.3 Resistor connector

The TMC3214 and TMC3215 offer a brake chopper in hardware for limiting supply voltage in case energy is fed back from motor / driver stage into the supply rail. A two pin Molex MicroFit™ connector (Molex part no. 43650-0215) is used for connecting an external brake resistor. Mating connector housing e.g. Molex 43645-0200, contacts Molex 43030-0007. Please note that there are alternative options available from Molex for both, housing and contacts.

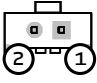
|  | Pin | Label | Direction | Description |
|---|-----|----------|--------------------|---|
| | 1 | +48V | Power supply input | Connected to power supply input of Power connector. |
| | 2 | Resistor | Output | Brake chopper output. An external power resistor should be connected between Pin 1 and Pin 2 of this connector. |

Table 5.16: Power supply brick: Resistor connector

5.5 Power supply

For proper operation care has to be taken with regard to power supply concept and design. The TMC3214 / TMC3215 includes about 6000µF/63V of supply filter capacitors. In addition, the module includes a 48V suppressor diode for over-voltage protection. Nevertheless, it is important to make sure that supply voltage will not rise beyond the upper limit of +53V! Please note: during motor deceleration the driver stage might feedback energy from the motor into the supply rail and supply voltage might increase. In order to limit the supply voltage a brake chopper circuit has been included on the board. When activated in software and together with an external power resistor this circuit will limit the supply voltage.

CAUTION

Always keep the power supply voltage (+48V) below the upper limit of 53V!

Otherwise the on-board electronics might be seriously damaged. Especially, when the selected operating voltage is near the upper limit a regulated power supply is highly recommended. In addition, the on-board brake chopper may be used together with an external power resistor connected to the Resistor connector in order to limit supply voltage.

Always keep the digital logic power supply voltage (+48V_LOGIC) below the upper limit of 53V!

Otherwise the on-board electronics might be seriously damaged. Especially, when the selected operating voltage is near the upper limit a regulated power supply is highly recommended.

Always keep the logic power supply voltage (+48V_LOGIC) above or equal to the main power supply (on the Power supply connector)!

Otherwise the on-board electronics (diode connection between +48V main power supply input and +48V logic supply input) might be seriously damaged.

There is limited reverse polarity protection, only!

The module will short any reversed supply voltage.

5.6 RS485

For remote control and communication with a host system the TMC3214 provides a two wire RS485 bus interface. For proper operation the following items should be taken into account when setting up an RS485 network:

1. **BUS STRUCTURE:**

The network topology should follow a bus structure as closely as possible. That is, the connection between each node and the bus itself should be as short as possible. Basically, it should be short compared to the length of the bus. The TMC3214 offers two connectors which are connected directly to each other and the on-board RS485 transceiver. Using both connectors for passing through the bus will help with keeping a proper bus topology.

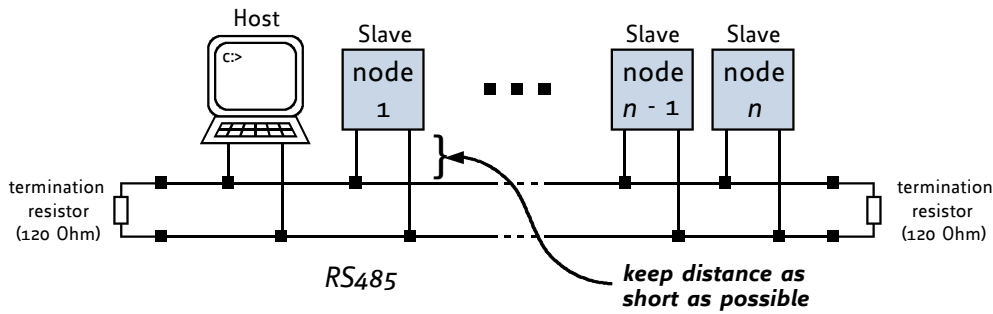


Figure 5.3: Bus structure

2. **BUS TERMINATION:**

Especially for longer busses and/or multiple nodes connected to the bus and/or high communication speeds, the bus should be properly terminated at both ends. The TMCM-3214 does not integrate any termination resistor. Therefore, 120 Ohm termination resistors at both ends of the bus have to be added externally.

3. **NUMBER OF NODES:**

The RS485 electrical interface standard (EIA-485) allows up to 32 nodes to be connected to a single bus. The bus transceivers used on the TMCM-3214 units (SN65HVD1781D) have a significantly reduced bus load and allow a maximum of 255 units to be connected to a single RS485 bus using TMCL firmware. *Please note: usually it cannot be expected to get reliable communication with the maximum number of nodes connected to one bus and maximum supported communication speed at the same time. Instead, a compromise has to be found between bus cable length, communication speed and number of nodes.*

4. **COMMUNICATION SPEED:**

The maximum RS485 communication speed supported by the TMCM-3214 hardware is 1Mbit/s. Factory default is 9600 bit/s. *Please see separate firmware manuals for information regarding other possible communication speeds below the upper limit in hardware.*

5. **NO FLOATING BUS LINES:**

Avoid floating bus lines while neither the host/master nor one of the slaves along the bus line is transmitting data (all bus nodes switched to receive mode). Floating bus lines may lead to communication errors. In order to ensure valid signals on the bus it is recommended to use a resistor network connecting both bus lines to well defined logic levels.

There are actually two options which can be recommended:

Add resistor (Bias) network on **one** side of the bus, only (120R termination resistor still at **both** ends):

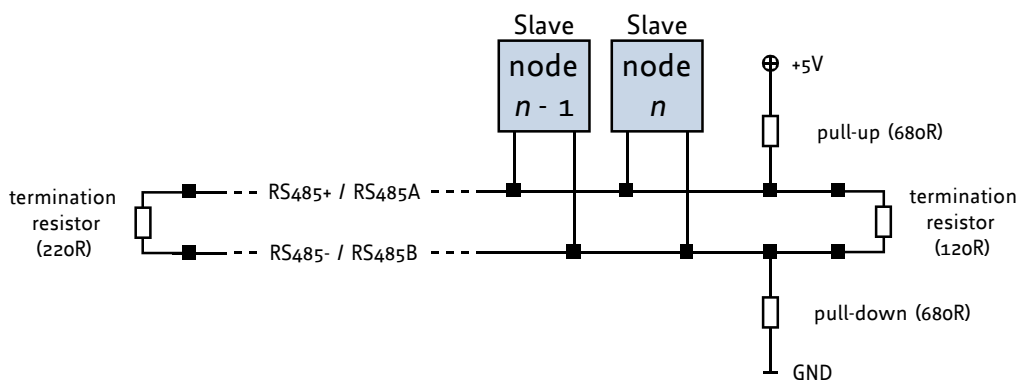


Figure 4.4: Bus lines with resistor (Bias) network on one side, only

Or add resistor (Bias) network at **both** ends of the bus (like Profibus™ termination):

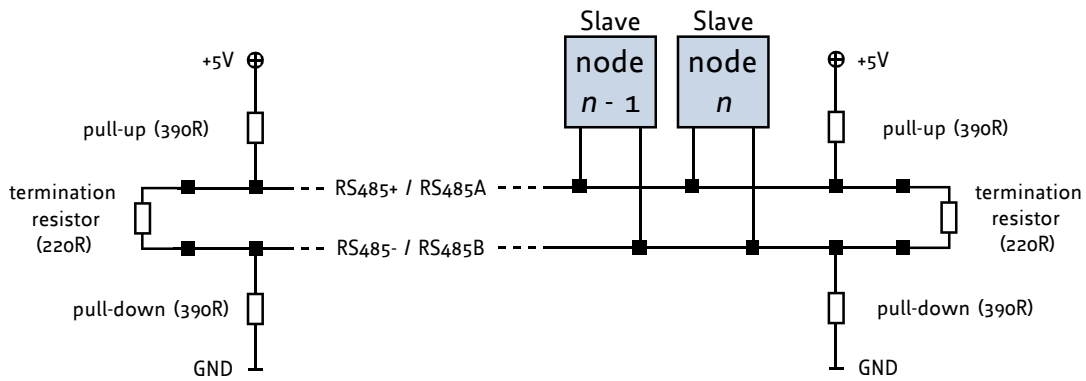


Figure 4.5: Bus lines with resistor (Bias) network at both ends

Certain RS485 interface converters available for PCs already include these additional resistors (e.g. USB-2-485 with bias network at one end of the bus).

5.7 CAN

For remote control and communication with a host system the TMCM-3214 provides a CAN bus interface. For proper operation the following items should be taken into account when setting up a CAN network:

1. **BUS STRUCTURE:**

The network topology should follow a bus structure as closely as possible. That is, the connection between each node and the bus itself should be as short as possible. Basically, it should be short compared to the length of the bus. The TMCM-3214 offers two connectors (RJ45) which are connected directly to each other and the on-board CAN transceiver. Using both connectors for passing through the bus will help with keeping a proper bus topology.

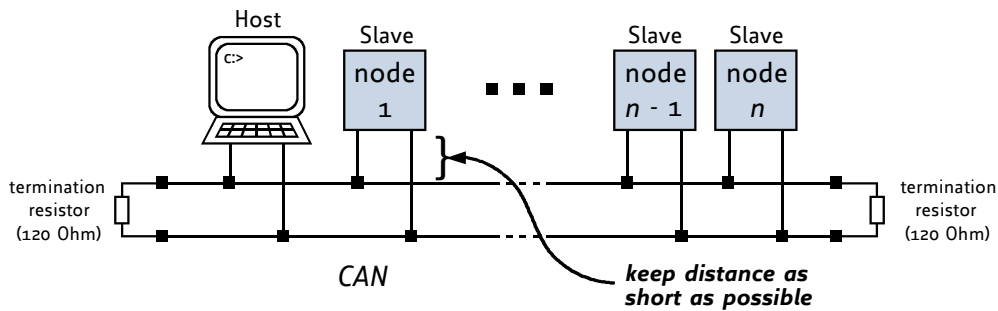


Figure 5.6: CAN bus structure

2. **BUS TERMINATION:**

Especially for longer busses and/or multiple nodes connected to the bus and/or high communication speeds, the bus should be properly terminated at both ends. The TMCM-3214 does not integrate any termination resistor. Therefore, 120 Ohm termination resistors at both ends of the bus have to be added externally.

5.7.1 CAN adapter

As part of the cable loom for the TMCM-3214 (G4-CABLE) an adapter pcb is available (RJ45-2-DSUB_G4_V10) for making CAN bus connection via standard D-SUB connectors instead of the RJ45 available on the TMCM-3214. A standard e.g. CAT5 ethernet cable might be used to connect the RJ45 connector on the TMCM-3214 with the RJ45 connector on the adapter pcb. The D-SUB connector on the adapter pcb might then be used to connect further slaves or the master with CAN D-SUB connectors. Please make sure to maintain a proper bus structure while using the adapter pcb.

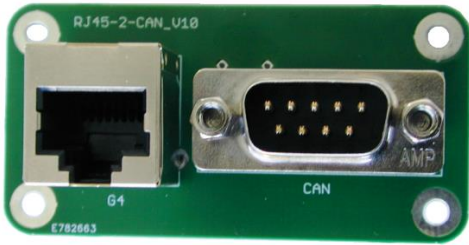


Figure 5.6: RJ45-2-DSUB PCB top view

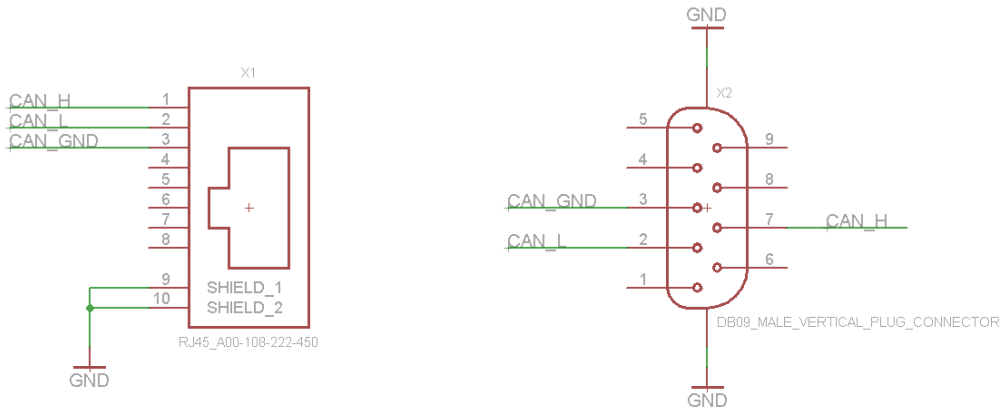


Figure 5.7: RJ45-2-DSUB schematic / connector pin assignment

5.8 General purpose outputs OUTo..3

The TMCM-3214 and TMCM-3215 offer 4 open-drain (N-channel MOSFET) general purpose outputs available at the output connector of the interface brick part. The internal connection of the N-channel MOSFETs together with a flyback / freewheeling diode can be seen in figure 5.8. When activating the MOSFET the related output will be pulled low (sometimes called npn-style switch).

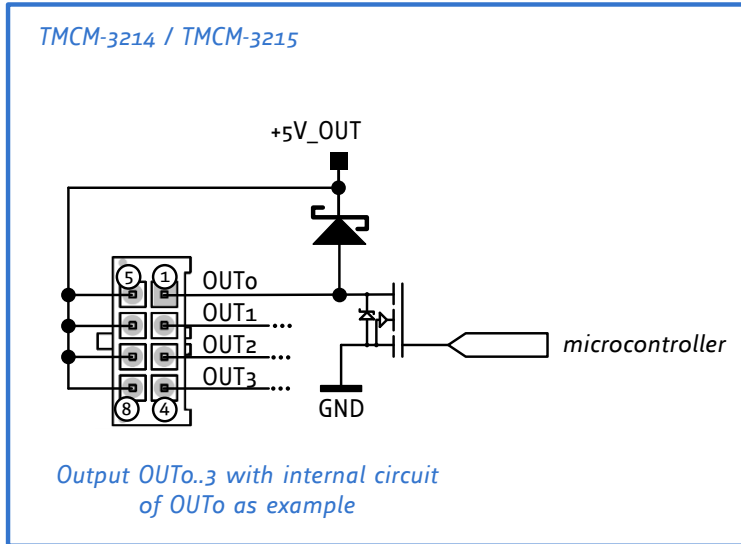


Figure 5.8: General purpose output – internal circuit (simplified)

Examples for connecting external circuits to the outputs:

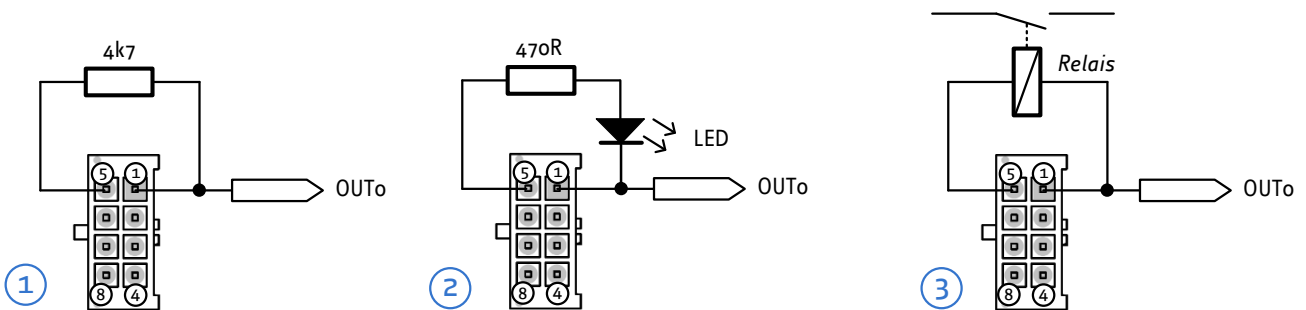


Figure 5.9. Connecting external circuits to the general purpose outputs

From left to right:

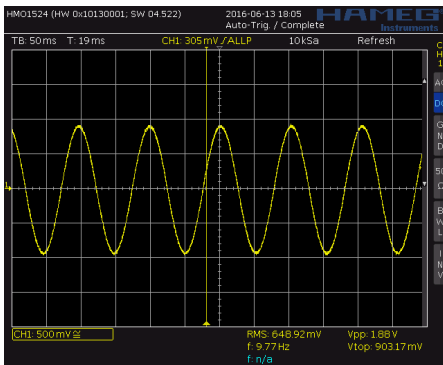
1. Simple digital output: high (+5V) / low
2. LED connected to output
3. Relay connected to output

6 Motor driver current

The stepper motor driver section of the TMCM-3214 + TMCM-3215 operates current controlled. The driver current may be programmed in software with 236 effective scaling steps in hardware up-to 6.5A RMS / 9A peak max. motor coil current.

Motor current measured for one phase with max. current settings (100% e.g. "SAP 179, 0, 0" and "SAP 6, 0, 235") and 256 microsteps:

CH1 (yellow): motor current [100mV / A]



Motor current setting in software (TMC)

In TMCL axis parameter 6 (motor run current) and 7 (motor standby current) can be used for motor current setting:

```
SAP 6, 0, <value> // set run current
```

```
SAP 7, 0, <value> // set standby current
```

For <value> numbers between 0 (minimum) and 235 (maximum) are supported. Motor current is scaled linearly up-to 6.5A RMS / 9A peak. (read-out value with GAP instead of SAP. Please see separate TMCM-3214 / TMCM-3215 firmware / software manual for further information)

Range setting in software (TMCL)

TMCL axis parameter 179 (Vsense) will set the current range:

```
SAP 179, 0, <value> // = 0 high current range
                    //      up-to 6.5A RMS/9A peak
                    // = 1 low current range
                    //      up-to 3.7A RMS / 5.2A peak
```

For <value> either 0 (high current range) or 1 (low current range) is supported. (read-out value with GAP instead of SAP.)

7 On Board LEDs

There are a number of LEDs on-board indicating status.

7.1 Power supply brick

With the TMCM-3214 and TMCM-3215, four LEDs are available on the power supply brick part.

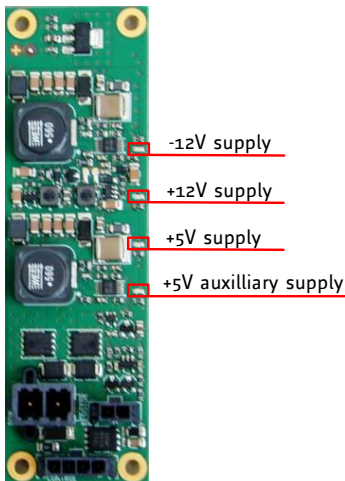


Figure 7.1: LEDs on power supply brick

| LED | Description |
|----------------------|---|
| -12V supply | -12V available from on-board DC/DC converter for supply of current sense circuit |
| +12V supply | +12V available from on-board DC/DC converter for supply of pre-driver circuit |
| +5V supply | +5V available from on-board DC/DC converter for supply of on-board digital circuit |
| +5V auxiliary supply | +5V auxiliary supply available (can be switched on/off in software). +5V_OUT on REF/HOME and ENCODER connector. |

7.2 TMCM-3214 Interface Brick

With the TMCM-3214, there are two LEDs (one green and one red) available. Both are connected to the on-board microcontroller and function is firmware dependent. With TMCL firmware the green LED is flashing slowly during operation. During firmware updates both LEDs are switched on.

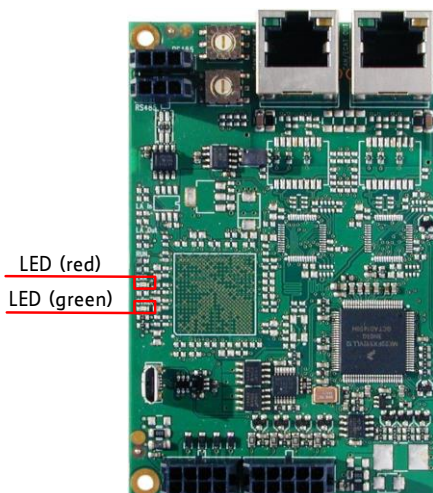


Figure 7.2: LEDs on TMCM-3214 interface brick

7.3 TMCM-3215 Interface Brick

With the TMCM-3215, there are five LEDs available. Two LEDs are connected to the processor and three to the EtherCAT™ slave controller (ESC). In addition, one LED (ERROR) is connected to both, the microcontroller and the ESC.

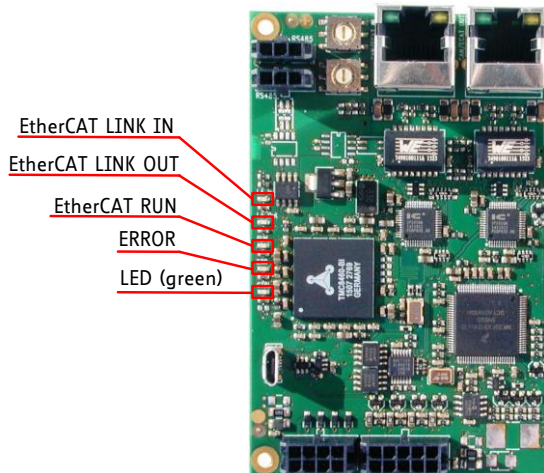


Figure 7.3: LEDs on TMCM-3215 interface brick

| LED | Description |
|--------------------|--|
| EtherCAT™ LINK IN | Signal LINK IN, connected to ESC |
| EtherCAT™ LINK OUT | Signal LINK OUT, connected to ESC |
| EtherCAT RUN | Indicating status of EtherCAT state machine, connected to ESC |
| ERROR | Connected to microcontroller and ESC – indicating Error |
| LED (green) | Connected to microcontroller – flashing slowly during normal operation |

8 Reset to Factory Default

For reset to factory default values please follow instructions below:

1. Switch OFF power supply.
2. Short two pads of programming connector pad-array (see figure 8.1).
3. Switch ON power supply (on-board LED should be flashing fast / faster than during normal operation).
4. Switch OFF power supply.
5. Remove short circuit.

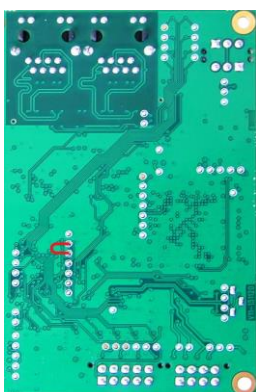


Figure 8.1 Reset to factory defaults (bottom view of pcb - interface brick end)

9 Operational ratings

The operational ratings show the intended or the characteristic ranges and should be used as design values.
In no case shall the maximum values be exceeded.

| Symbol | Parameter | Min | Typ | Max | Unit |
|-------------------|---|---------------------------|-------------------------|--------------------|------|
| +48V | Power supply voltage input | 18 | 24..48 | 53 | V |
| +48V_LOGIC | Power supply voltage for on-board digital / logic (if supplied separately) | Same as +48V supply input | | | V |
| I _{PEAK} | Motor coil current for sine wave peak (chopper regulated, adjustable via software) | | | 9 | A |
| I _{RMS} | Continuous motor current (RMS) | | | 6.5 | A |
| I _{+24V} | Power supply current for driver | | << 3 x I _{RMS} | | A |
| T _{ENV} | Environmental temperature at 3x 6.5A RMS motor current (no forced cooling) | -30 ^{**} | | +50 ^{***} | °C |

Table 9.1: General operational ratings of the module

^{**}) limited by test equipment. Operation down to -40°C can be expected. Test included "cold" start at this temperature.

^{***}) Test set-up / procedure: module placed inside climate chamber (Binder MK53) with approx. 53l volume. Motor placed outside chamber moving slowly with motor current set to maximum supported by module (3x 6.5A RMS). Test duration: 24h. Communication tested at beginning and end of test.

| Symbol | Parameter | Min | Typ | Max | Unit |
|----------------------------|---|-----|-----|--------------------|------|
| V _{REFL/R_HOME} | Input voltage for stop / home switch inputs REFL / REFR and HOME | 0 | | 5.5 | V |
| V _{REFL/R_HOME_L} | Low level voltage for stop / home switch inputs REFL / REFR and HOME | 0 | | 1.1 | V |
| V _{REFL/R_HOME_H} | High level voltage for stop / home switch inputs REFL / REFR and HOME | 3.3 | | | V |
| V _{OUTo..3} | Voltage at open collector output OUTo...OUT3 | 0 | | 5 | V |
| I _{OUTo..3} | Output sink current for OUTo...OUT3 | | | 1 | A |
| V _{AINo..3} | Full scale input voltage range for analog inputs AINo...AIN3 | 0 | | 10 ^{**}) | V |

Table 9.2 Operational ratings of I/Os

^{**}) nominal upper input voltage which can be measured without saturation of the ADC. Max. voltage at max. ADC value will be around 10.56V.

10 TMCM-3214 Functional Description

The TMCM-3214 is a highly integrated controller/driver module for 3 stepper motor axes which can be controlled via several serial interfaces (CAN, RS485 and USB – depending on firmware). Communication traffic is kept low since all time critical operations (e.g. ramp calculations) are performed on board. The nominal supply voltage of the unit is 24V or 48V DC. The module is designed for both, standalone operation and direct mode. Full remote control of device with feedback is possible. The firmware of the module can be updated via one of the serial interfaces (depending on module and firmware type).

In Figure 10.1 the main parts of the TMCM-3214 are shown:

- Microcontroller, responsible for overall control - executes the firmware (either TMCL or CANopen incl. the communication stack)
- 3 motion controller and pre-driver with additional higher-power MOSFETs. With the integrated motion controller calculation of ramps (linear and sixPoint™) and speed profiles is done internally in hardware.
- interface for an external (e.g. optical) incremental A/B/N encoder (differential RS422 signals) for each axis. The encoder may be used for position verification and step-loss detection. For closed-loop operation please consider using the TMCM-3314 unit.
- interface for HOME / REFL / REFR reference switches for each axis
- 4 general purpose analog / digital inputs
- 4 general purpose digital (open-drain) outputs
- Three serial communication interfaces: CAN, RS485 and USB (Micro-USB-connector). While CAN and RS485 are intended for in-system control and operation (for CANopen firmware just CAN) the USB interface may be primarily used for parameter settings and firmware updates.

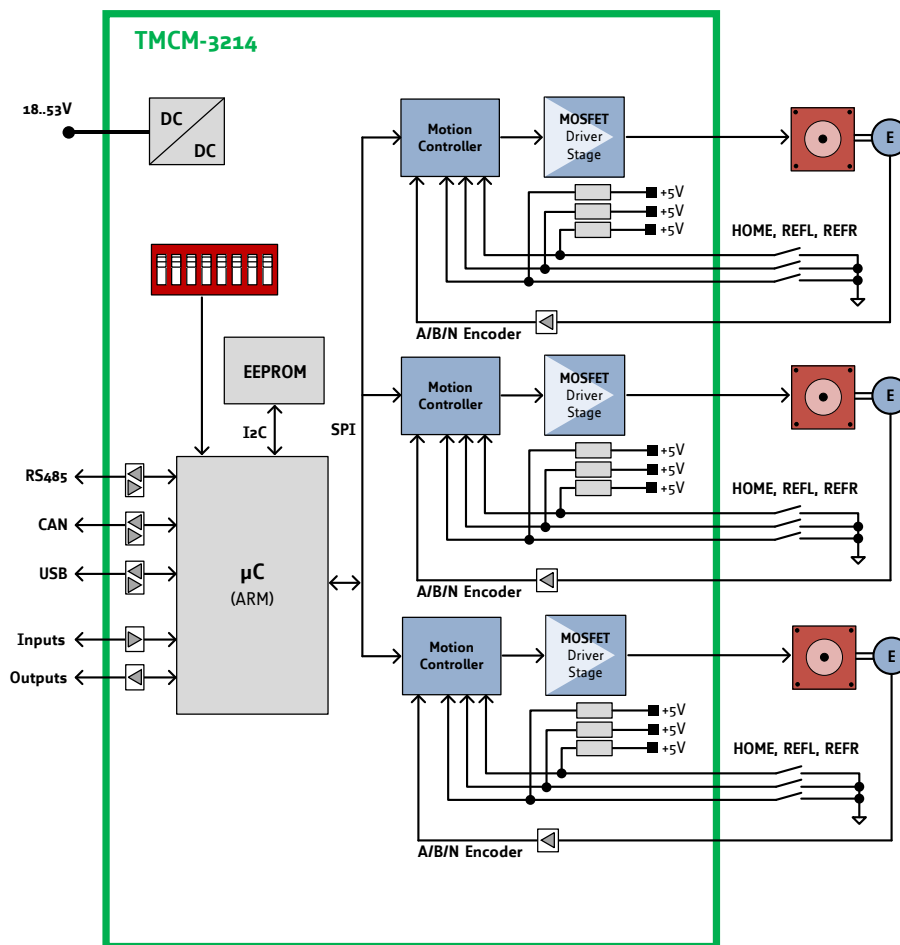


Figure 10.1 Main parts of the TMCM-3214

11 TMC3215 Functional Description

The TMC3215 is a highly integrated controller/driver module for 6 stepper motor axes which offers an EtherCAT™ interface in addition to USB for communication. The nominal supply voltage of the unit is 24V or 48V DC. Full remote control of the device with feedback is possible using the CANopen over EtherCAT™ (CoE) firmware. The firmware of the module can be updated via one of the serial interfaces.

In Figure 10.1 the main parts of the TMC3215 are shown:

- Microcontroller, responsible for overall control - executes the firmware (CANopen over EtherCAT, CoE)
- 3 motion controller and pre-driver with additional higher-power MOSFETs. With the integrated motion controller calculation of ramps (linear and sixPoint™) and speed profiles is done internally in hardware.
- interface for an external (e.g. optical) incremental A/B/N encoder (differential RS422 signals) for each axis. The encoder may be used for position verification and step-loss detection. For closed-loop operation please consider using the TMC3315 unit.
- interface for HOME / REFL / REFR reference switches for each axis
- 4 general purpose analog / digital inputs
- 4 general purpose digital (open-drain) outputs
- EtherCAT™ and USB interfaces for communication. The EtherCAT™ interface is intended for in-system control and operation (using CoE firmware), while USB may be used for parameter setting and firmware updates

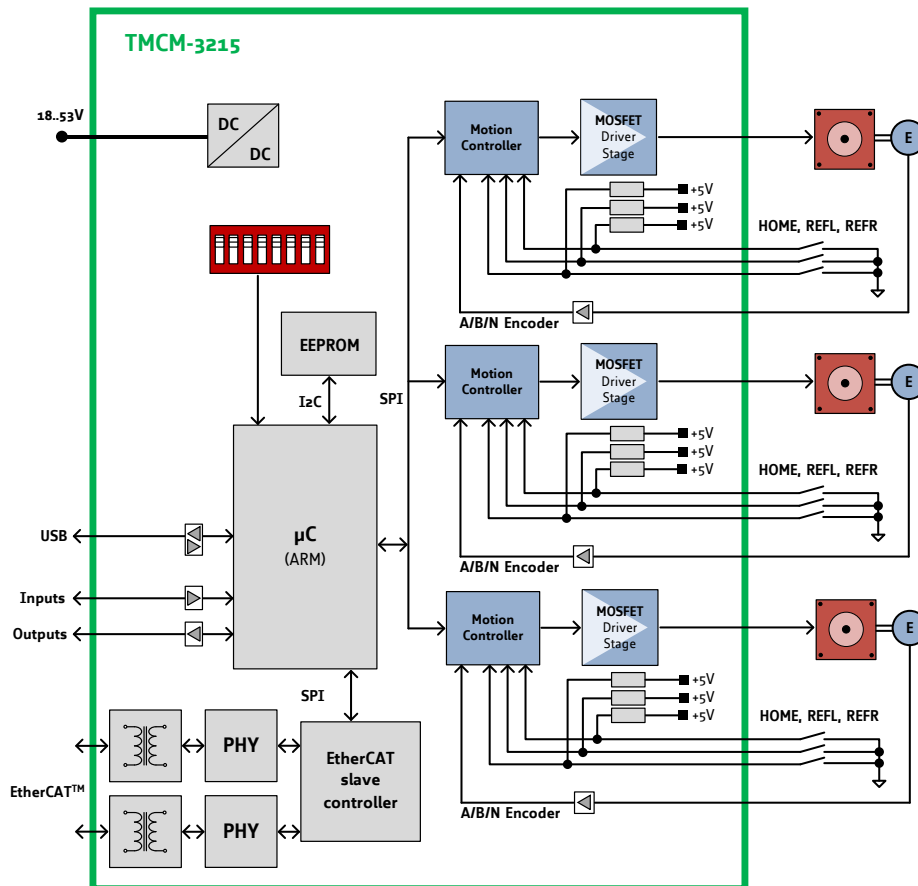


Figure 11.1 Main parts of the TMC3215

12 Revision History

12.1 Document revision

| Version | Date | Author | Description |
|---------|-------------|--------|--|
| 0.90 | 2016-JUN-27 | GE | Initial version based on TMC3314 / TMC3315 Vo.90 hardware manual |
| 0.91 | 2017-MAR-01 | GE | Block diagram and functional description simplified / clarified |
| | | | |

Table 12.1: Document revision

12.2 Hardware revision

| Version | Date | Description |
|-------------|-------------|---|
| TMC3214_V10 | 2016-JUN-15 | First version based on TMC3314_V13 (prototypes, only) |
| TMC3215_V10 | 2016-JUN-15 | First version based on TMC3315_V13 (prototypes, only) |
| TMC3214_V11 | 2016-JUN-24 | Correction: <ul style="list-style-type: none"> Connect pin 9 of motion controller / driver to GND in order to enable motion controller |
| TMC3215_V11 | 2016-JUN-24 | Correction: <ul style="list-style-type: none"> Connect pin 9 of motion controller / driver to GND in order to enable motion controller |

Table 12.2: Hardware revision

13 References

- [MOLEX] MOLEX connector
<http://www.molex.com>
- [TMCL-IDE] TMCL-IDE User Manual
Manual available on <http://www.trinamic.com>.