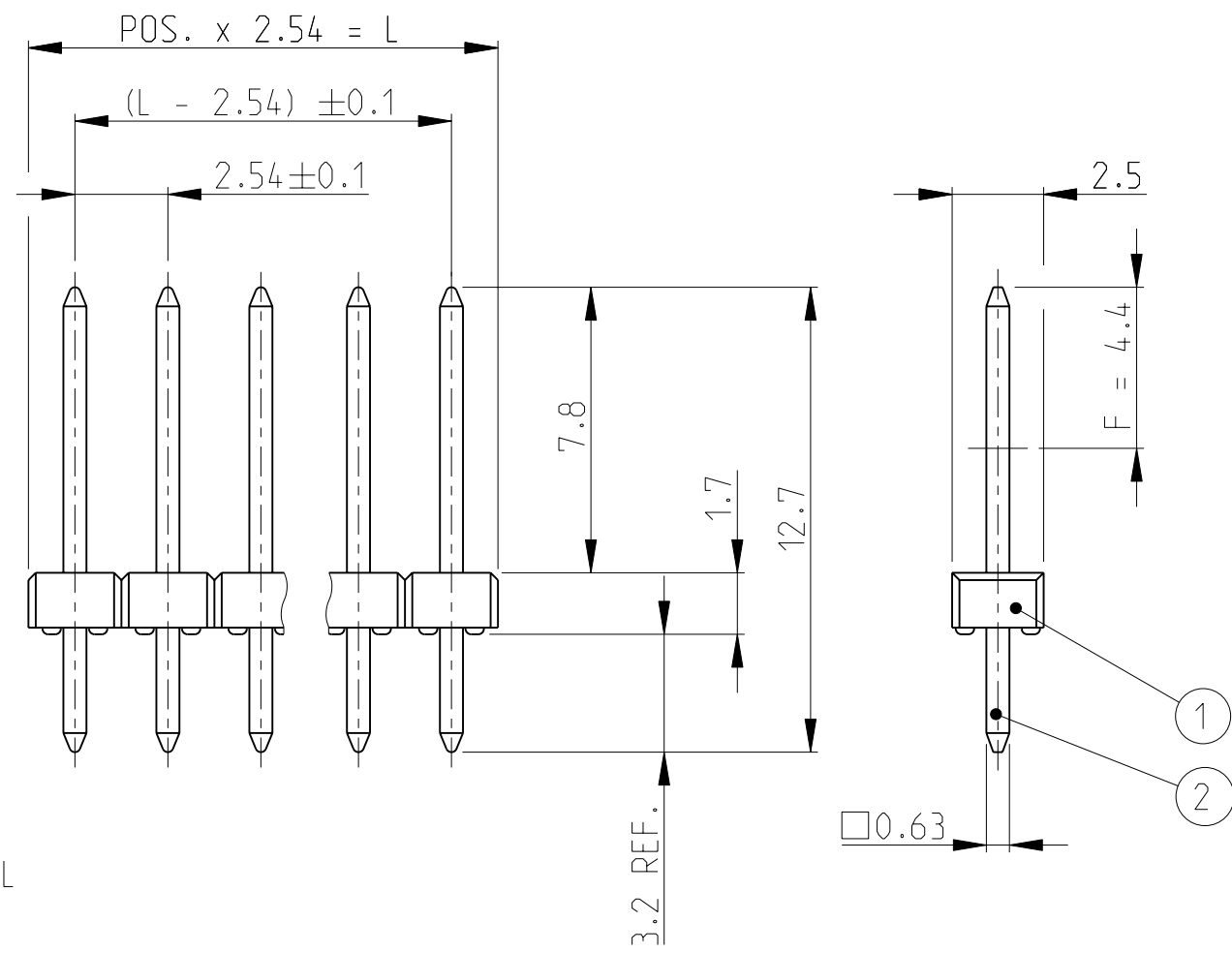


THIS DRAWING IS UNPUBLISHED
 RELEASED FOR PUBLICATION 2007
 © COPYRIGHT 2007 ALL RIGHTS RESERVED.

LOC	DIST	REVISIONS			
P	LTR	DESCRIPTION	DATE	DWN	APVD
A1	-	B2	REVISED PER ECO-09-026495	16DEC09	KK AEG
		B3	REVISED PER ECR-10-025774	07JUN11	KK HMR

POS. PER ROW	L +0.3 -0.6	PART - NO.	POS. PER ROW	L +0.3 -0.6	PART - NO.
-	-	-	-26	66.04	2- 828 220-6
2	5.08	828 220-2/2	-27	68.58	2- -7
3	7.62	-3/2	-28	71.12	2 -8
4	10.16	4/2	-29	73.66	2- -9
5	12.70	5/2	-30	76.20	3- -0
6	15.24	6/2	-31	78.74	3- -1
7	17.78	7/3	-32	81.28	3 -2
8	20.32	8/2	-33	83.82	3- -3
9	22.86	9/2	-34	86.36	3- -4
10	25.40	1- -0	-35	88.90	3- -5
11	27.94	1- -1/2	-36	91.44	3- -6
12	30.48	1- -2/2	-37	93.98	3 -7
13	33.02	1- -3/2	-38	96.52	3- -8
14	35.56	1- -4/3	-39	99.06	3- -9
15	38.10	1- -5/2	-40	101.60	4 -0
16	40.64	1- -6/2	-41	104.14	4- -1
17	43.18	1- -7/2	-42	106.68	4- -2
18	45.72	1- -8/2	-43	109.22	4- -3
19	48.26	1- -9/2	-44	111.76	4- -4
20	50.80	2- 0/2	-45	114.30	4- -5
21	53.34	2- -1/2	-46	116.84	4- -6
22	55.88	2- 2/2	-47	119.38	4- -7
23	58.42	2- -3/3	-48	121.92	4 -8
24	60.96	2- -4/2	-49	124.46	4- -9
25	63.50	2- 828 220-5/3	-50	127.00	5- 828 220-0

OBSOLETE



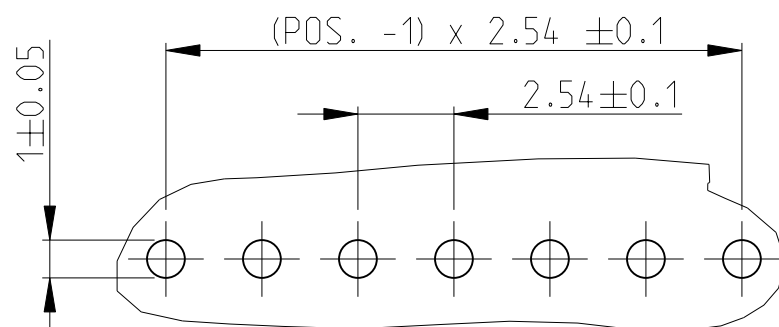
1 MATING SIDE: AT AREA F 0.8 µm GOLD OVER 1.27 µm NICKEL
 SOLDER SIDE: MIN. 3 µm TIN OVER 1.27 µm NICKEL

STECKSEITE: IM BEREICH F 0.8 µm GOLD ÜBER 1.27 µm NICKEL
 LÖTSEITE: MIN. 3 µm ZINN ÜBER 1.27 µm NICKEL

2 OBSOLETE PARTS: OBSOLETE CIS STREAMLINING PER D.RENAUD/D.SINISI

3 OBSOLETE

PC BOARD LAYOUT
 LEITERPLATTENANSCHLUSSBILD



1	CONTACT PIN KONTAKTSTIFT	Cu Sn	2
COLOUR GREEN	PINHOUSING STIFTGEHAEUSE	PBT GV	1
REMARK	DESCRIPTION BEZEICHNUNG	MATERIAL	ITEM LFD. NR.

THIS DRAWING IS A CONTROLLED DOCUMENT.		DWN NEBE 20FEB1985	TE Connectivity		
DIMENSIONS: mm		CHK M.SCHAARSCHMIDT 22FEB1985			
TOLERANCES UNLESS OTHERWISE SPECIFIED:		APVD -	NAME AMPMODU II PINHEADER SINGLE ROW STIFTLAISTE EINREIHIG		
0 PLC ±0.2		PRODUCT SPEC 108-18012	SIZE A3	CAGE CODE 00779	DRAWING NO C-828220
1 PLC ±0.2		APPLICATION SPEC -	RESTRICTED TO -		
2 PLC ±0.2		WEIGHT -	SCALE 5:1		
3 PLC ±		CUSTOMER DRAWING	SHEET 1 OF 1		
4 PLC ±			REV B3		
ANGLES ±2°					
FINISH -					