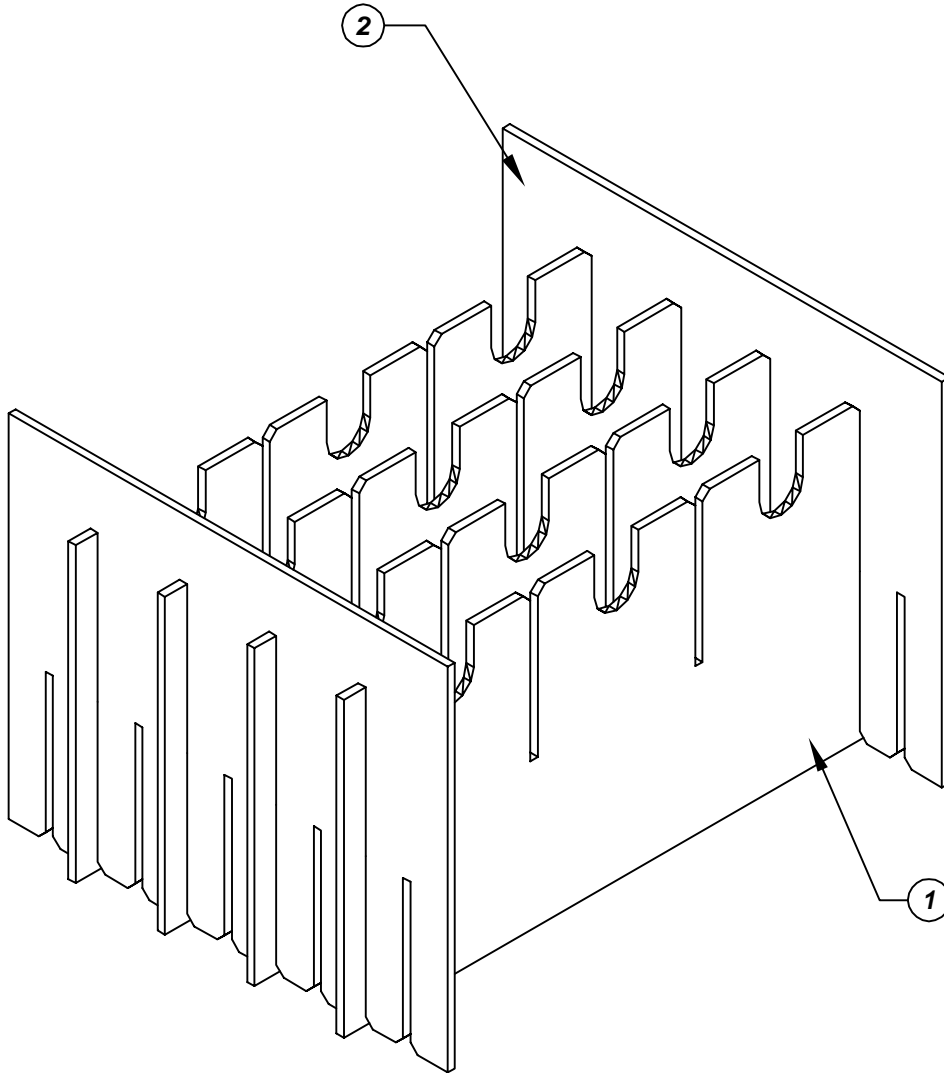
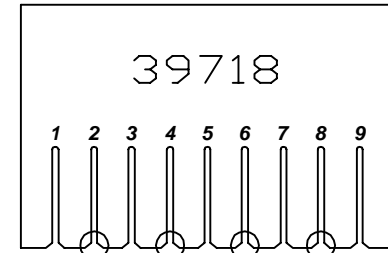


Assembly Instructions for - 37355

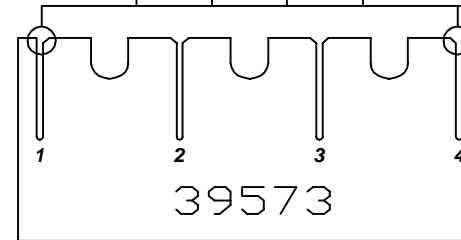


Folded Short Partition



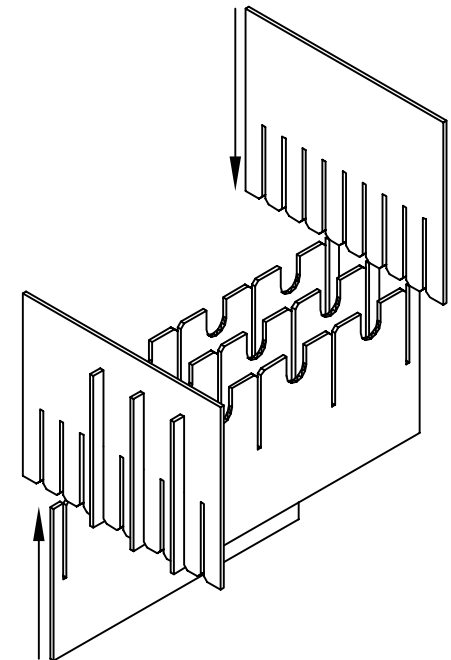
2

Use only the circled slots for partition assembly



1

Folded Long Partition



Made in America

F/N ①	Part # 39573	Dimensions: 20-1/4" x 18-5/8"	Description: 460-LP-10/30 Long Partition	Qty: 4
F/N ②	Part # 39718	Dimensions: 24-1/4" x 15"	Description: 462-SP-10 Short Partition	Qty: 2

37355 - 5 Cell Inplant Handler Cell Size - 12" x 16-5/8" x 2-3/4"

Notes:
For use with the following storage container & lid:
37525 - Storage Container
37554 - Lid

PROTEKTIVE PAK
13520 MONTE VISTA AVENUE, CHINO, CA 91710
PHONE (909) 627-2578, FAX (909) 363-7331
ProtectivePak.com



DRAWING NUMBER
IPH-37355

DATE
Dec.
2007