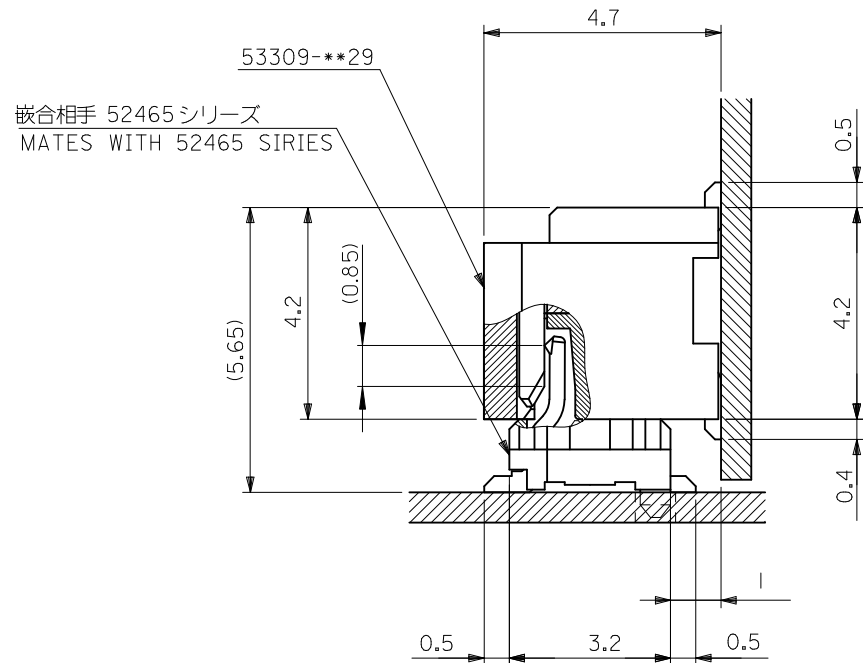


|            |      |      |      |            |              |         |
|------------|------|------|------|------------|--------------|---------|
| 0.4        | 17.8 | 16.9 | 15.2 | 53309-4029 | 40           |         |
| 0.8        | 17.0 | 16.1 | 14.4 | -3829      | 38           |         |
| 0.4        | 16.2 | 15.3 | 13.6 | -3629      | 36           |         |
| 0.8        | 15.4 | 14.5 | 12.8 | -3429      | 34           |         |
| 0.4        | 14.6 | 13.7 | 12.0 | -3229      | 32           |         |
| 0.8        | 13.8 | 12.9 | 11.2 | -3029      | 30           |         |
| 0.4        | 13.0 | 12.1 | 10.4 | -2829      | 28           |         |
| 0.8        | 12.2 | 11.3 | 9.6  | -2629      | 26           |         |
| 0.4        | 11.4 | 10.5 | 8.8  | -2429      | 24           |         |
| 0.8        | 10.6 | 9.7  | 8.0  | -2229      | 22           |         |
| 0.4        | 9.8  | 8.9  | 7.2  | -2029      | 20           |         |
| 0.8        | 9.0  | 8.1  | 6.4  | -1829      | 18           |         |
| 0.4        | 8.2  | 7.3  | 5.6  | -1629      | 16           |         |
| 0.8        | 7.4  | 6.5  | 4.8  | -1429      | 14           |         |
| 0.4        | 6.6  | 5.7  | 4.0  | -1229      | 12           |         |
| 53309-**29 | 0.8  | 5.8  | 4.9  | 3.2        | 53309-1029   | 10      |
| MODEL NO.  | D    | C    | B    | A          | MATERIAL NO. | 極数 CKT. |

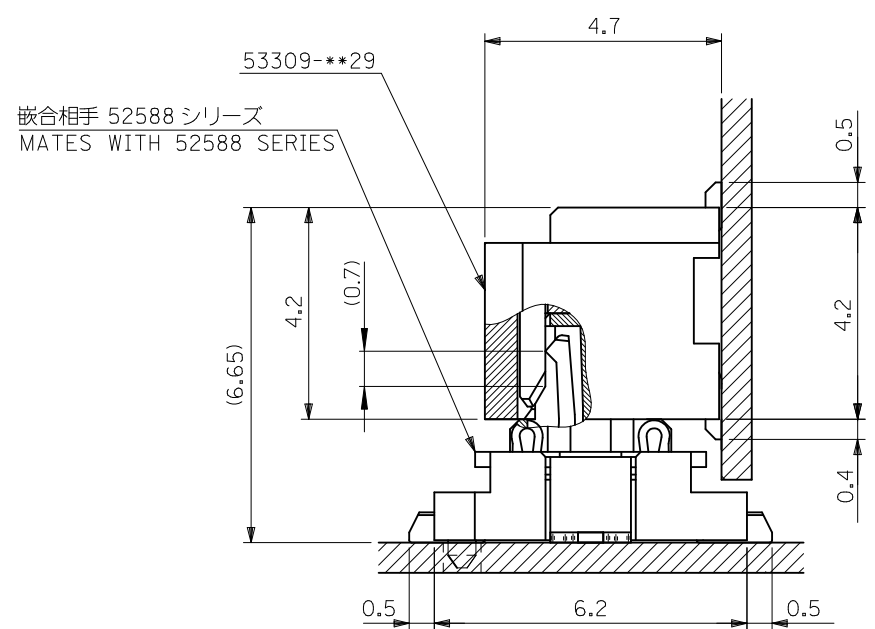
注記 NOTES

1. 嵌合相手: 52465,52588 シリーズ  
MATE WITH : 52465,52588 SERIES
2. ウェハーの C から隣接するピンの C 迄の位置を示す。  
SHOW POSITION FROM C OF WAFER TO C OF ADJACENT PINS.
3. 本製品は 53309-\*\*27 の鉛フリー品である。  
THIS PRODUCT IS LEAD FREE OF 53309-\*\*27

|   |  |  |                            |                    |   |  |                        |  |                           |  |
|---|--|--|----------------------------|--------------------|---|--|------------------------|--|---------------------------|--|
| REVISED<br>EC NO: J2010-1285<br>DRWN: YON002 2009/12/17<br>CHKD: SMARUYAMA 2009/12/17<br>APPR: SMARUYAMA 2009/12/17 | GENERAL TOLERANCES<br>(UNLESS SPECIFIED) |  | DIMENSION STYLE<br>MM ONLY |                    | SCALE<br>---  |  | DESIGN UNITS<br>METRIC |  | THIRD ANGLE<br>PROJECTION |  |
|   | 10 UNDER                                 | ±0.2   | DRAWN BY<br>M. NINOMIYA    | DATE<br>2004/03/10 | TITLE<br>0.8 B/B CONN. WAFER ASS'Y<br>R/A SMT(WITHOUT BOSS) |  |                        |  |                           |  |
|   | 10 OVER 30 UNDER                         | ±0.25  | CHECKED BY<br>K. TOJO      | DATE<br>2004/03/10 | MOLEX INCORPORATED  |  |                        |  |                           |  |
|   | 30 OVER                                  | ±0.3   | APPROVED BY<br>M. SASAO    | DATE<br>2004/03/10 | DOCUMENT NO.<br>SD-53309-011                                |  |                        |  |                           |  |
| ANGULAR ±3 °  |  | DRAFT WHERE APPLICABLE<br>MUST REMAIN<br>WITHIN DIMENSIONS |                            | SIZE<br>A3         |   | THIS DRAWING CONTAINS INFORMATION THAT IS PROPRIETARY TO MOLEX<br>INCORPORATED AND SHOULD NOT BE USED WITHOUT WRITTEN PERMISSION |                        |  |                           |  |



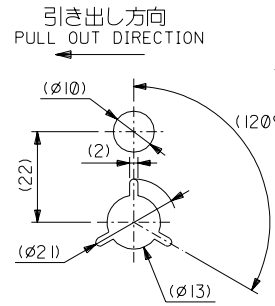
嵌合状態図 (参考)  
MATED DRAWING(REF.)



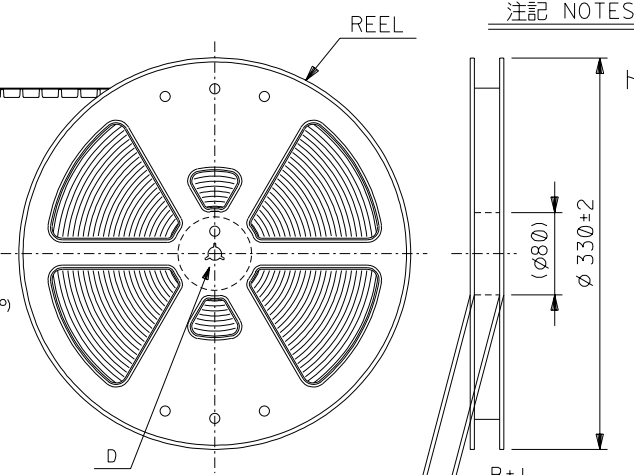
嵌合状態図 (参考)  
MATED DRAWING(REF.)

|  |                    |  |       |   |                    |  |                        |                              |  |
|--|--------------------|--|-------|---|--------------------|--|------------------------|------------------------------|--|
| REVISED<br>EC NO: J2010-1285<br>DRWN: YON002<br>CHKD: SMARUYAMA<br>APPR: SMARUYAMA | DESCRIPTION<br>REV | GENERAL TOLERANCES (UNLESS SPECIFIED)                |       | DIMENSION STYLE<br>MM ONLY  |                    | SCALE<br>---   | DESIGN UNITS<br>METRIC | THIRD ANGLE PROJECTION       |  |
|  |                    | 10 UNDER   | ±0.2  | DRAWN BY<br>M. NINOMIYA   | DATE<br>2004/03/10 | TITLE<br>0.8 B/B CONN.WAFER ASS'Y<br>R/A SMT(WITHOUT BOSS) |                        |                              |  |
|  |                    | 10 OVER 30 UNDER                                     | ±0.25 | CHECKED BY<br>K. TOJO   | DATE<br>2004/03/10 | MOLEX INCORPORATED   |                        |                              |  |
|  |                    | 30 OVER  | ±0.3  | APPROVED BY<br>M. SASAO   | DATE<br>2004/03/10 | MATERIAL NO.<br>SEE SHEET 1                                |                        | DOCUMENT NO.<br>SD-53309-011 |  |
| ANGULAR ±3 °   |                    | DRAFT WHERE APPLICABLE MUST REMAIN WITHIN DIMENSIONS |       | THIS DRAWING CONTAINS INFORMATION THAT IS PROPRIETARY TO MOLEX INCORPORATED AND SHOULD NOT BE USED WITHOUT WRITTEN PERMISSION |                    |  |                        |                              |  |

DWG. NO.  
SD-53309-012



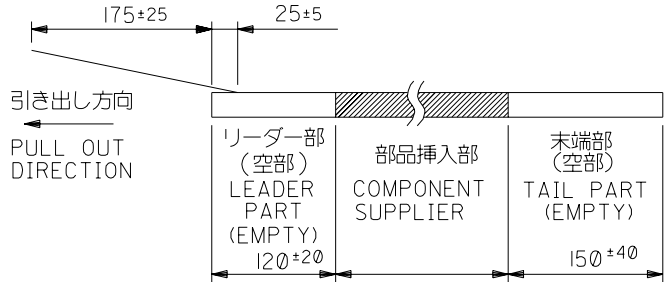
DETAIL D



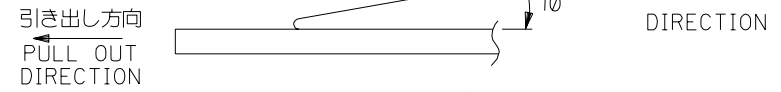
注記 NOTES

- 梱包数量：1000個/リール NUMBER OF CONNECTORS:1000PCS/REEL
- リードテープ長さ LEAD TAPE LENGTH

トップテープ TOP TAPE  
リーダー部 LEADER PART      トップテープ TOP TAPE  
未接着部 NON-BONDED PART

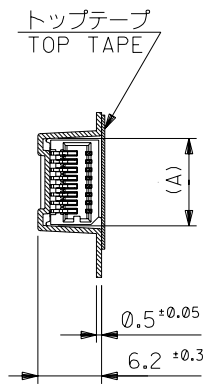


- トップテープの剥離強度：(剥離方向は下図参照)  
0.1N~1.3N{10gf~130gf}尚、本規格値は、出荷時に適用。  
(但し、輸送時に剥離が発生しない事。)  
PEELING OFF FORCE OF TOP TAPE  
0.1N~1.3N{10gf~130gf} (PEELING DIRECTION AS SHOWN IN FOLLOWING FIG.)  
THIS REQUIREMENT SHOULD BE APPLIED AT SHIPMENT  
PEEL OFF SHOULD NOT BE ALLOWED,  
DURING TRANSPORTATION

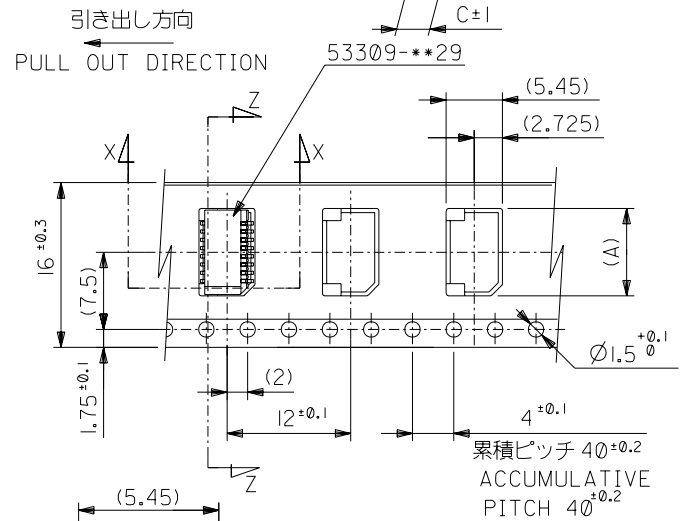


- 材料  
キャリアテープ：ポリプロピレン (PP)  
トップテープ：PET, PE, PEF  
リール：ポリスチレン (PS)  
MATERIAL  
<リサイクル材を含む>  
CARRIER TAPE:POLYPROPYLENE  
TOP TAPE:PET,PE,PEF  
REEL:POLYSTYRENE(PS)  
<RECYCLE MATERIAL CONTAINED>

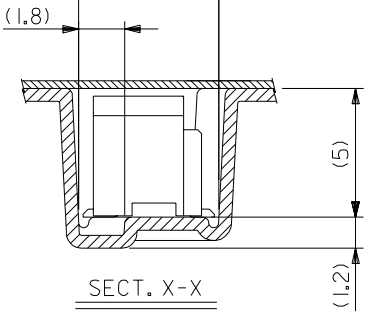
5. 本製品は 53309-\*\*91 の鉛フリー品である。  
THIS PRODUCT IS LEAD FREE OF 53309-\*\*91.



SECT. Z-Z

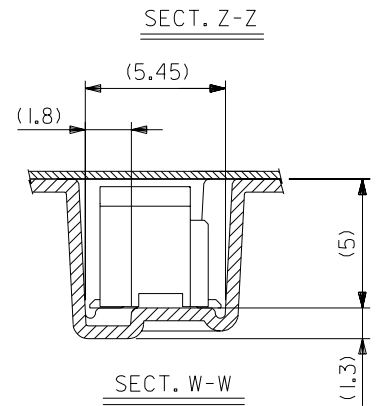
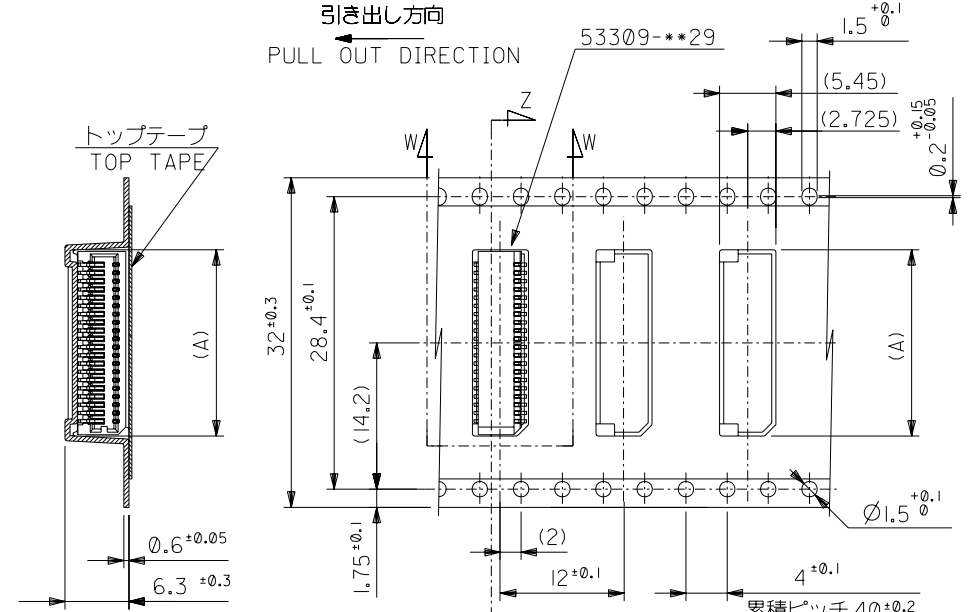
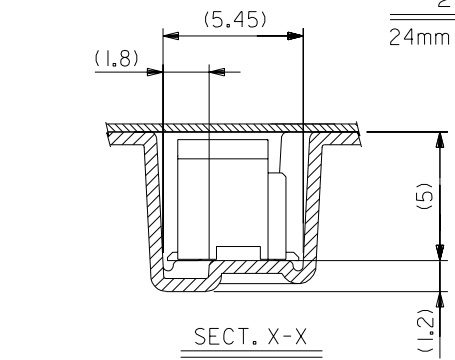
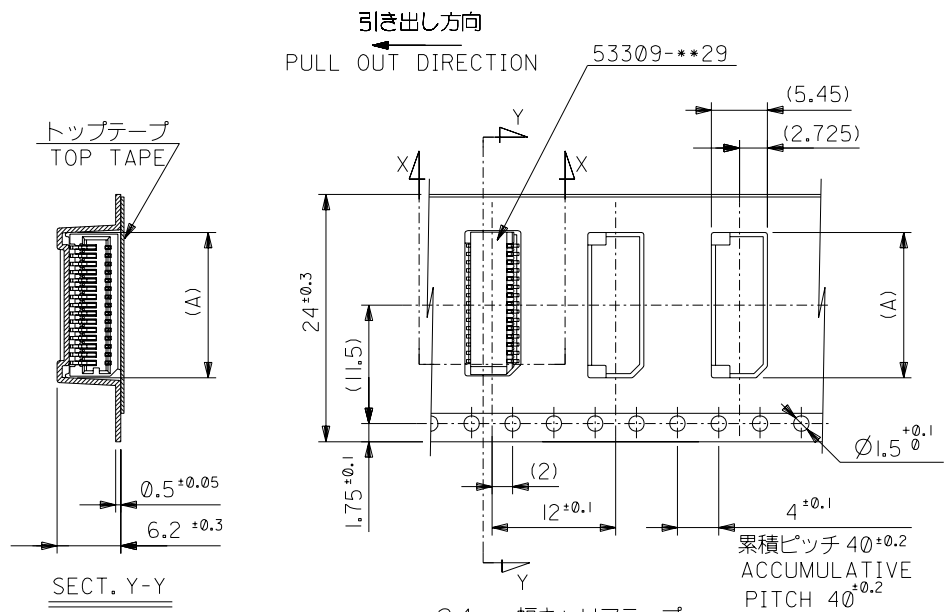


16mm幅キャリアテープ  
16mm WIDTH CARRIER TAPE



SECT. X-X

|                         |       |        |                      |                              |                          |  |
|-------------------------|-------|--------|----------------------|------------------------------|--------------------------|--|
| 53309-**70              |       |        |                      | 材料 MATERIAL                  | 注記参照 SEE NOTES           | MOLEX-JAPAN CO.,LTD.<br>日本モレックス株式会社                                      |
| MODEL NO.               |       |        |                      | 仕上げ FINISH                   | —                        |  |
| 角度 ANGLE                | ±3°   |        |                      | 適用電線範囲 WIRE RANGE            | —                        | TITLE 名称<br>0.8 BtB Conn Wafer Assy<br>RA SMT Without Boss<br>Embstp Pkg |
| 30以上 OVER               | +0.3  |        |                      | 被覆外径 INS. RANGE              | —                        | —LEAD FREE-  |
| 10以上 OVER 30 UNDER      | +0.25 |        |                      | DRAWN BY 04/03/10 M.NINOMIYA | CHK'D BY 04/03/10 K.TOJO | DWG. NO. (SHEET 1 OF 2) REV  |
| 10 UNDER                | +0.2  |        |                      | APPR'D BY 04/03/10 M.SASAO   | 尺度 SCALE                 | SD-53309-012 0   |
| 一般公差 GENERAL TOLERANCES |       | 記号 LTR | 変更内容 REVISION RECORD | DR. CHK.                     | 日付 DATE                  |  |



|                                |            |      |      |              |               |
|--------------------------------|------------|------|------|--------------|---------------|
| 24                             | 29.4       | 25.4 | 16.5 | 53309-3670   | 36            |
|                                |            |      | 15.7 | 53309-3470   | 34            |
|                                |            |      | 14.9 | 53309-3270   | 32            |
|                                |            |      | 14.1 | 53309-3070   | 30            |
|                                |            |      | 13.3 | 53309-2870   | 28            |
|                                |            |      | 12.5 | 53309-2670   | 26            |
|                                |            |      | 11.7 | 53309-2470   | 24            |
|                                |            |      | 10.9 | 53309-2270   | 22            |
| 10.1                           | 53309-2070 | 20   |      |              |               |
| キャリアテープ幅<br>CARRIER TAPE WIDTH | C          | B    | (A)  | MATERIAL NO. | 極数<br>CIRCUIT |

|                            |        |                         |                               |
|----------------------------|--------|-------------------------|-------------------------------|
| 53309-***70                |        | M.N.                    |                               |
| MODEL NO.                  |        | K.                      |                               |
| 角度 ANGLE                   | ±3°    | DR.                     | 日付 DATE                       |
| 30以上 OVER                  | +0.3   | CHK.                    |                               |
| 10以上 30未満 UNDER            | +0.25  |                         |                               |
| 未満 10 UNDER                | +0.2   |                         |                               |
| 一般公差<br>GENERAL TOLERANCES | 記号 LTR | 変更内容<br>REVISION RECORD | 新規作成 (J2004-2995)<br>RELEASED |

|                                |      |      |      |              |               |
|--------------------------------|------|------|------|--------------|---------------|
| 32                             | 37.4 | 33.4 | 18.1 | 53309-4070   | 40            |
| キャリアテープ幅<br>CARRIER TAPE WIDTH | C    | B    | (A)  | 53309-3870   | 38            |
|                                |      |      |      | MATERIAL NO. | 極数<br>CIRCUIT |

材料 MATERIAL  
SHEET 1 OF 2 参照 REFER TO SHEET 1 OF 2

仕上げ FINISH //

適用電線範囲 WIRE RANGE //

被覆外径 INS. RANGE //

DRAWN BY 04/03/10 M.NINOMIYA  
CHK'D BY 04/03/10 K.TOJO

APP'D BY 04/03/10 M.SASAO

尺 度 SCALE //

材料 MOLEX-JAPAN CO.,LTD.  
日本モレックス株式会社

REVISE ONLY ON CAD SYSTEM

TITLE 名称  
0.8 BtB Wafer Assy  
RA SMT Without Boss  
Embstp Pkg  
-LEAD FREE-

DWG. NO. (SHEET 2 OF 2) REV 0  
SD-53309-012