

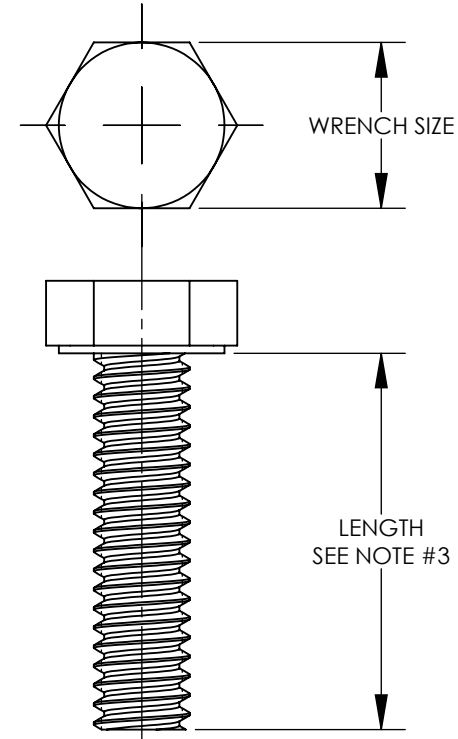
THIS COPY IS PROVIDED ON A RESTRICTED BASIS AND IS NOT TO BE USED IN ANY WAY DETRIMENTAL TO THE INTERESTS OF PANDUIT CORP.

NOTES:

1. MATERIAL: 18-8 STAINLESS STEEL
2. DIMENSIONS IN BRACKETS ARE MILLIMETERS
3. ALL BOLTS ARE FULLY THREADED
4. PKG QTY:
L = 50
C = 100

PART NUMBER	THREAD	LENGTH	WRENCH SIZE		
SSBOLT2525-C	1/4-20	.25 [6.4]	7/16		
SSBOLT2550-C		.50 [12.7]			
SSBOLT2562-C		.62 [15.7]			
SSBOLT2575-C		.75 [19.1]			
SSNTS1420-C		1.00 [25.4]			
SSBOLT25125-C		1.25 [31.8]			
SSBOLT25150-C		1.50 [38.1]			
SSBOLT25175-C		1.75 [44.5]			
SSBOLT25200-C		2.00 [50.8]			
SSBOLT25250-C		2.50 [63.5]			
SSBOLT25300-C		3.00 [76.2]			
SSBOLT3150-C		5/16-18		.50 [12.7]	1/2
SSBOLT3162-C				.62 [15.7]	
SSBOLT3175-C	.75 [19.1]				
SSBOLT31100-C	1.00 [25.4]				
SSBOLT31125-C	1.25 [31.8]				
SSBOLT31150-C	1.50 [38.1]				
SSBOLT31175-C	1.75 [44.5]				
SSBOLT31200-C	2.00 [50.8]				
SSBOLT31250-C	2.50 [63.5]				
SSBOLT31300-C	3.00 [76.2]				
SSBOLT3850-C	3/8-16	.50 [12.7]	9/16		
SSBOLT3862-C		.62 [15.7]			
SSBOLT3875-C		.75 [19.1]			
SSNTS3816-C		1.00 [25.4]			
SSBOLT38125-C		1.25 [31.8]			
SSBOLT38150-C		1.50 [38.1]			
SSBOLT38175-C		1.75 [44.5]			
SSBOLT38200-C		2.00 [50.8]			
SSBOLT38250-C		2.50 [63.5]			
SSBOLT38300-C		3.00 [76.2]			

PART NUMBER	THREAD	LENGTH	WRENCH SIZE
SSBOLT5050-C	1/2-13	.50 [12.7]	3/4
SSBOLT5062-C		.62 [15.7]	
SSBOLT5075-C		.75 [19.1]	
SSBOLT50100-C		1.00 [25.4]	
SSBOLT50125-C		1.25 [31.8]	
SSBOLT50150-C		1.50 [38.1]	
SSBOLT50175-C		1.75 [44.5]	
SSBOLT50200-C		2.00 [50.8]	
SSBOLT50250-C		2.50 [63.5]	
SSBOLT50300-L		3.00 [76.2]	
SSBOLT6250-C	5/8-11	.50 [12.7]	15/16
SSBOLT6262-C		.62 [15.7]	
SSBOLT6275-C		.75 [19.1]	
SSBOLT62100-C		1.00 [25.4]	
SSBOLT62125-C		1.25 [31.8]	
SSBOLT62150-L		1.50 [38.1]	
SSBOLT62175-L		1.75 [44.5]	
SSBOLT62200-L		2.00 [50.8]	
SSBOLT62250-L		2.50 [63.5]	
SSBOLT62300-L		3.00 [76.2]	



TITLE		STAINLESS STEEL HEX HEAD BOLTS (SSBOLT SERIES) CUSTOMER DRAWING						
ITEM REVISION NAME	15J350BF/00		PANDUIT					
DATASET FILE NAME	15J350BF-DC/00.SLDDRW							
UNLESS OTHERWISE SPECIFIED, DIMENSIONAL TOLERANCES ARE: IN [mm]			MATERIAL					
.X ± .XX ± .02 [0.5] .XXX ± ANGLES ±			SEE NOTES					
THIRD ANGLE PROJECTION			DRAWING NUMBER					
DRAWN BY: JHNU DATE: 4/17 CHK: RGB SCALE: N/A			15J350BF-DC					
REV	DATE	BY	CHK	APR	DESCRIPTION	ECN	SHEET 1 OF 1	SIZE
00	4/17	JHNU	JHNU	RGB	DRAWING RELEASED	15J350BF-DC		A

REV	DATE	BY	CHK	APR	DESCRIPTION	ECN
00	4/17	JHNU	JHNU	RGB	DRAWING RELEASED	15J350BF-DC