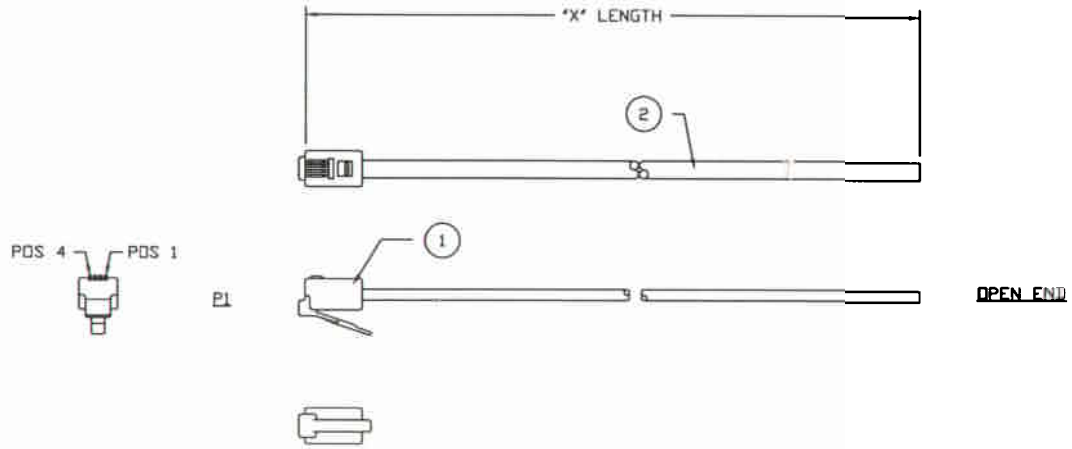


THESE DRAWINGS AND SPECIFICATIONS ARE THE SOLE PROPERTY OF I/O INTERCONNECT INC., U.S.A. AND SHALL NOT BE REPRODUCED, COPIED, OR USED IN ANY MANNER WITHOUT THE PRIOR WRITTEN CONSENT OF I/O INTERCONNECT INC. OR ITS AFFILIATED SUBSIDIARIES.

DWG. NO.	ZONE	REV.	DESCRIPTION	DATE	APPROVED
XX4-522-D		C	ECN C285	08/21/01	K.C.
		D	ADD NOTE & CHANGE P/N TO ROHS COMPLIANT PER ECN D826	04/22/05	M.G.



WIRE DIAGRAM

P1	OPEN END
1	BLACK
2	RED
3	GREEN
4	YELLOW

NOTES: UNLESS OTHERWISE SPECIFIED.

1. CABLE TO BE BUNDLED AND TWIST TIED.
2. TEST CABLE FOR ALL OPENS & SHORTS.
3. PACKAGE CABLE ASSEMBLY INDIVIDUALLY IN PLASTIC BAG. PACKAGE INDIVIDUAL BAG PER LOT NUMBER QUANTITIES.
4. MARK OUTSIDE OF SHIPPING BOX WITH DIGI-KEY PART NUMBER.
5. PLACE BAR CODE LABEL ON THE OUTSIDE OF EACH SHIPPING BOX LABEL DETAIL SEE DWG 090-990-001.
6. ALL METRICAL SHOULD BE ROHS COMPLIANT.

T.B.D.	GLF-444-254-522-D	25.0 FT ± 4.0 IN 7.62 M ± 101.6 MM
T.B.D.	GLF-444-144-522-D	14.0 FT ± 3.0 IN 4.27 M ± 76.2 MM
H3441-07-ND	GLF-444-074-522-D	7.0 FT ± 2.0 IN 2.13 M ± 50.8 MM
PART NUMBER DIGI-KEY	PART NUMBER I/O INTERCONNECT	LENGTH 'X'

DR. BY: JERRY SHAN 04/22/05 DR. CHECKER:		TITLE: 4P4C MODULAR TO OPEN END, WHITE, CABLE ASSEMBLY P/N: H3441-XX-ND	
UNLESS OTHERWISE NOTED: 1) DIMENSIONS ARE IN INCHES (MILLIMETER) 2) TOLERANCES: X.XX ± 0.25 [6.35]		PART NO: GLF-444-XX4-522-D DWG NO: GLF-444-XX4-522-D	
DATE: 04/22/05		CUSTOMER: DIGI-KEY	
SCALE: NONE		SHEET 1 OF 1	

ITEM	QTY	MFG.	IDI PART NO.	DESCRIPTION
2	'X'	IDI	GLF-120-410-020	MODULAR CABLE, 26 AWG (7/34) BARE COPPER, 4 CONDUCTOR, UNSHIELDED, WHITE PVC. ROHS COMPLIANT.
1	1 PC	IDI	GLF-325-441-50X	CONNECTOR, MODULAR PLUG, 4 POSITION, 4 CONDUCTOR, 50u' Au, FLAT TYPE EXIT, ROHS COMPLIANT.

CABLE ASSEMBLY PARTS LIST