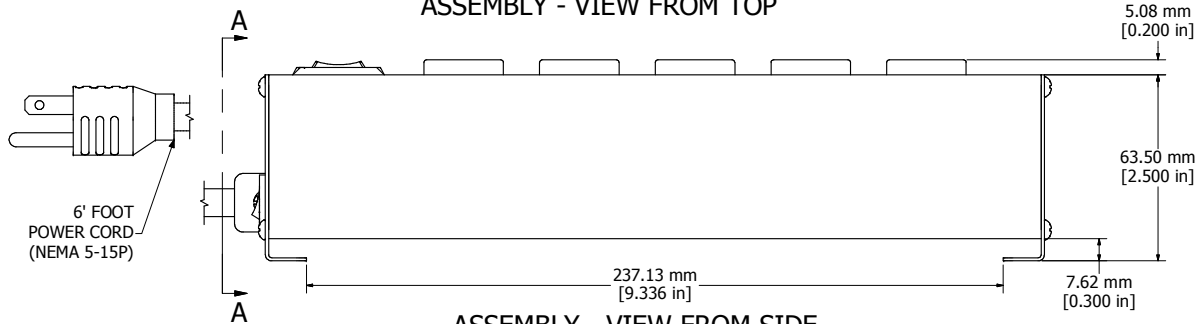
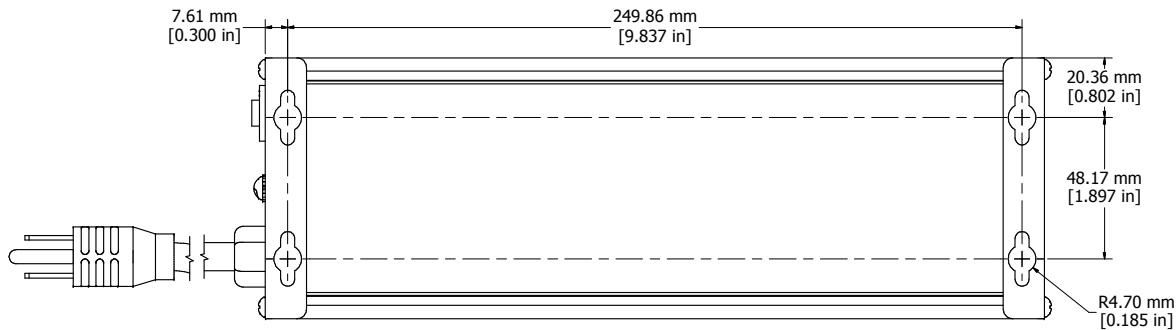


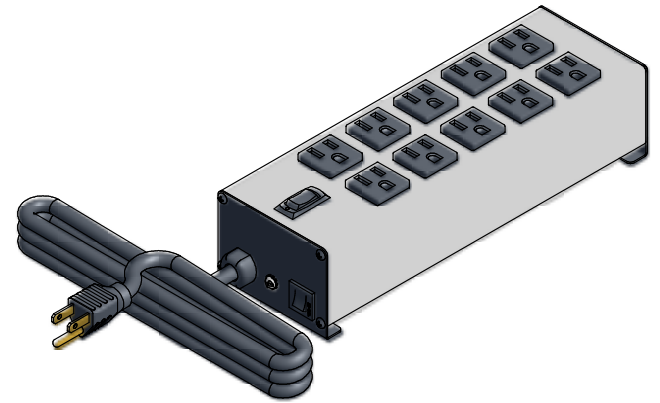
ASSEMBLY - VIEW FROM TOP



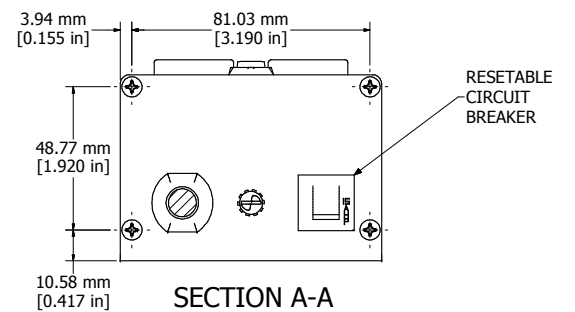
ASSEMBLY - VIEW FROM SIDE



ASSEMBLY - VIEW FROM BOTTOM



ISOMETRIC VIEW



SECTION A-A

<b>1580H10**</b>
Finish - Sides - Black Painted Steel
Case - Aluminum Extrusion
Rated - 120 VAC, 60 Hz, 15 Amps
Approvals - CSA Certified Standards C22.2 (No. 21-95, 42-99) - UL Listed, Standard UL1363
<b>Cord Length</b>
1580H10A1 - 6' Foot Power Cord (NEMA 5-15P)
1580H10B1 - 15' Foot Power Cord (NEMA 5-15P)

