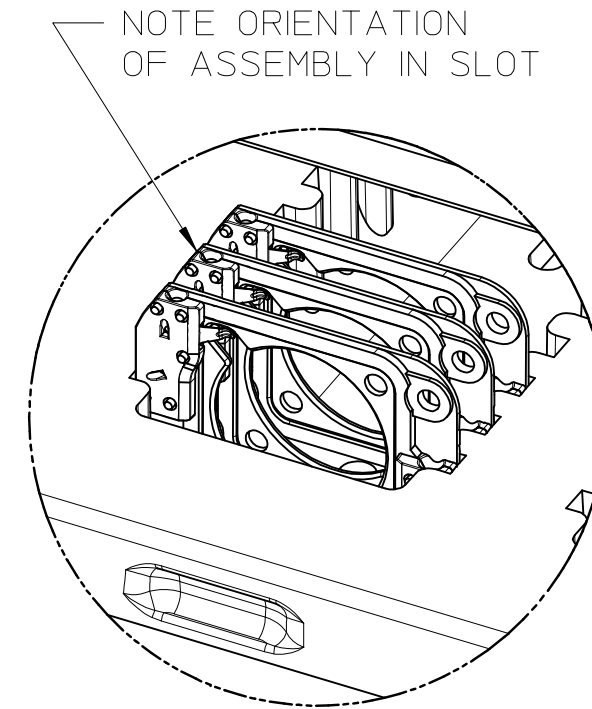


QTY PER TRAY	QTY PER INNER BOX	QTY PER OUTER BOX 'SPQ'	ASSEMBLY PART NO.	DESCRIPTION	PART NUMBER	QTY
50	200	400	180416-0104	TRAY COVER	180419-0120	8
			180416-0114	BOTTOM TRAY	180419-0110	8
			180416-0204	FOAM PAD	88796-2874	8
			180416-0214	INNER CARTON	88796-1900	2
			180416-0105	OUTER CARTON	88796-2824	1

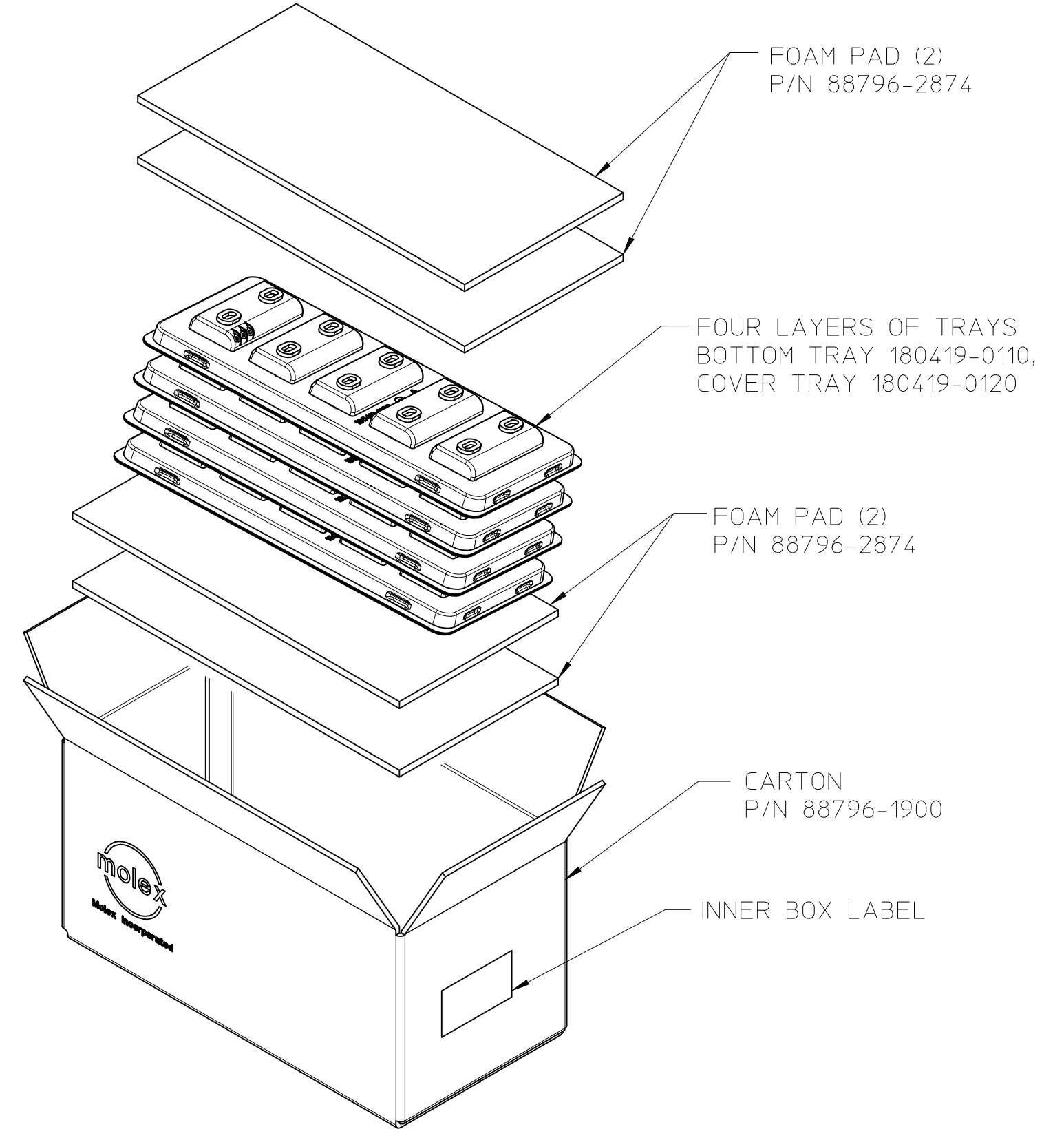
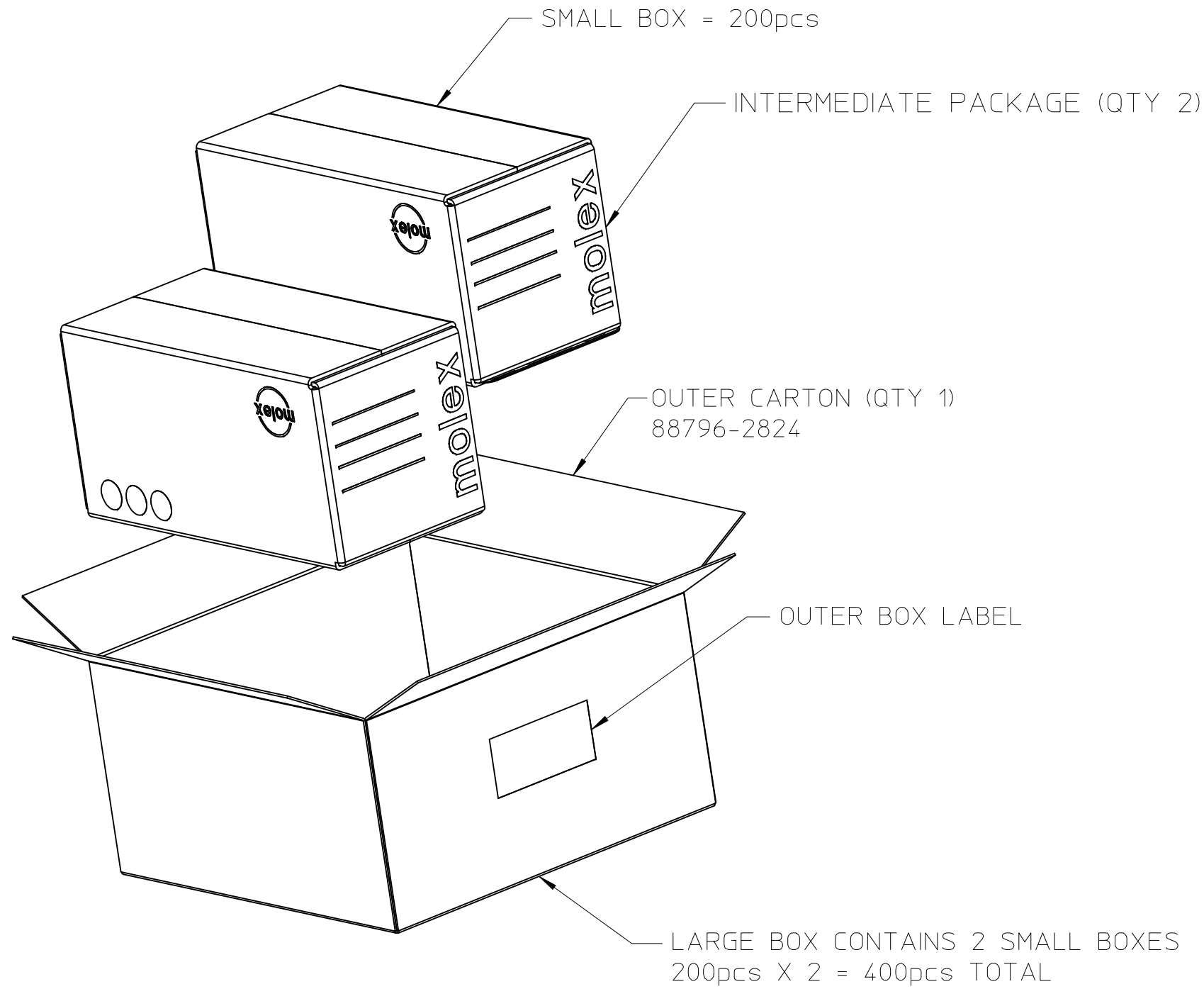
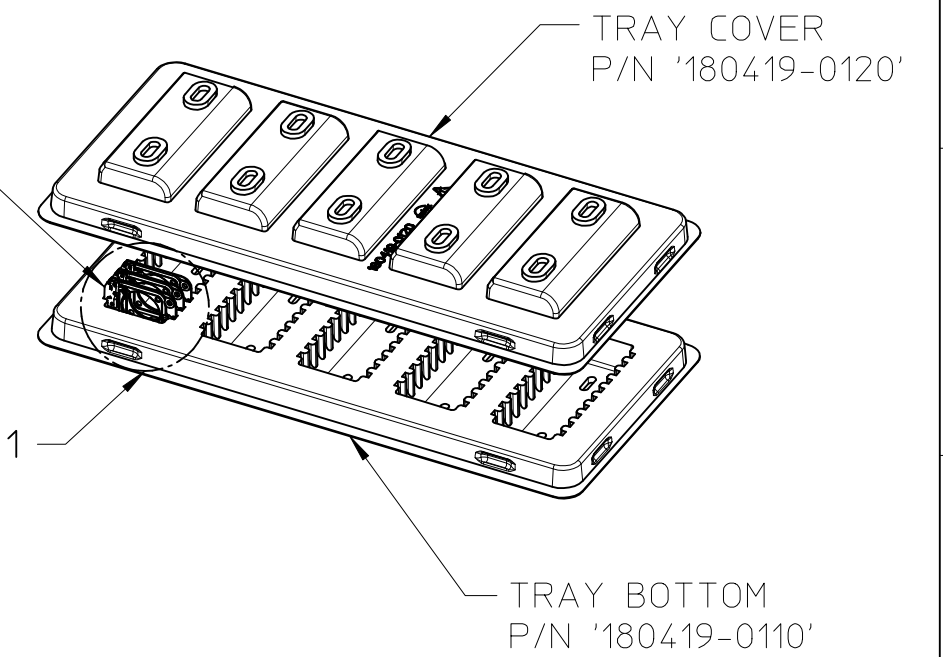


Detail 1
Scale 1:1

TWO TRAYS = ONE LAYER OF PARTS

P/N 180414-0XX4
ASSEMBLIES PER
SLOT 10.
TOTAL ASSEMBLIES
PER LAYER 50.

SEE Detail 1



NOTES:

- (50) HOLDER ASSEMBLIES PER TRAY LAYER. 4 LAYERS PER SMALL CARTON, (200) ASSEMBLIES TOTAL PER SMALL CARTON, TWO SMALL CARTONS TOTAL PER LARGE BOX, 400 ASSEMBLIES TOTAL.
- TAPE SEAL THE TOP OF THE CARTON.
- SHIPPING LABEL REQUIRED. PLACE ON END OF EACH CARTON.
- PACKAGING MUST MEET MOLEX ENGINEERING STANDARD ES-40000-7001.

ENTER DESCRIPTION EC NO: SSL2016-0017 DRWN: MDEVITO 2015/08/12 CHKD: GMEYER 2015/08/24 APPR: GMEYER 2015/09/08	QUALITY SYMBOLS 	GENERAL TOLERANCES (UNLESS SPECIFIED)		DIMENSION STYLE MM ONLY		SCALE 1:4.5	DESIGN UNITS METRIC	THIRD ANGLE PROJECTION		
			mm	INCH	DRAWN BY MDEVITO	DATE 2013/03/19	TITLE PACKAGING FOR 28.0 MM X 28.0 MM SQUARE COB HOLDER ASSEMBLY			
		4 PLACES	± ---	± ---	CHECKED BY MCOLE	DATE 2013/03/18				
		3 PLACES	± ---	± ---	APPROVED BY DMCGOWAN	DATE 2013/03/25				
		2 PLACES	± 0.13	± ---	MATERIAL NO. SEE CHART		DOCUMENT NO. PK-180419-007	SHEET NO. 1 OF 1		
1 PLACE	± 0.25	± ---	DRAFT WHERE APPLICABLE MUST REMAIN WITHIN DIMENSIONS		THIS DRAWING CONTAINS INFORMATION THAT IS PROPRIETARY TO MOLEX INCORPORATED AND SHOULD NOT BE USED WITHOUT WRITTEN PERMISSION					
0 PLACE	± ---	± ---	ANGULAR ±1/2°							