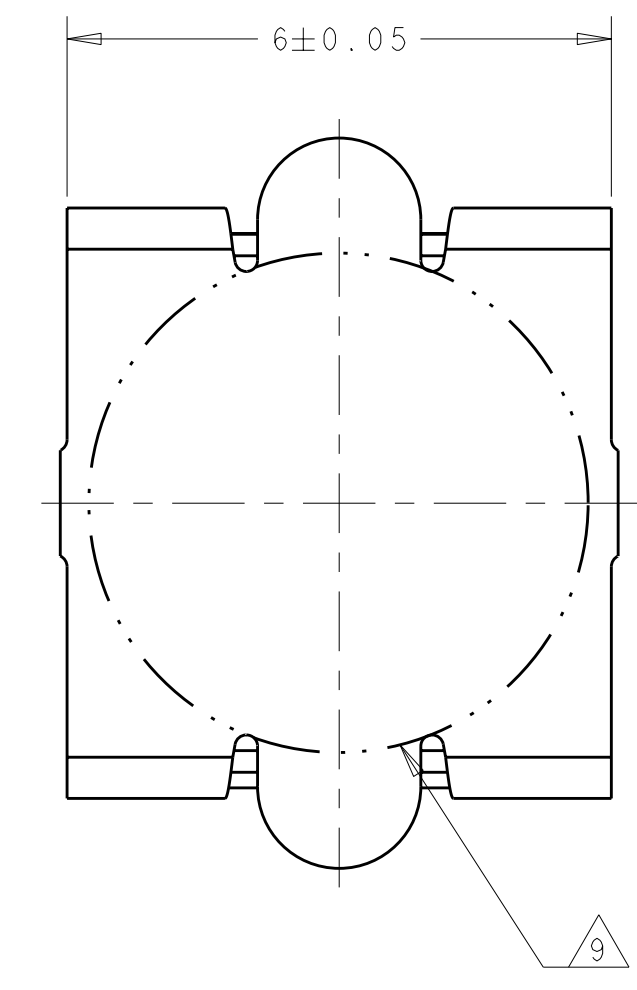
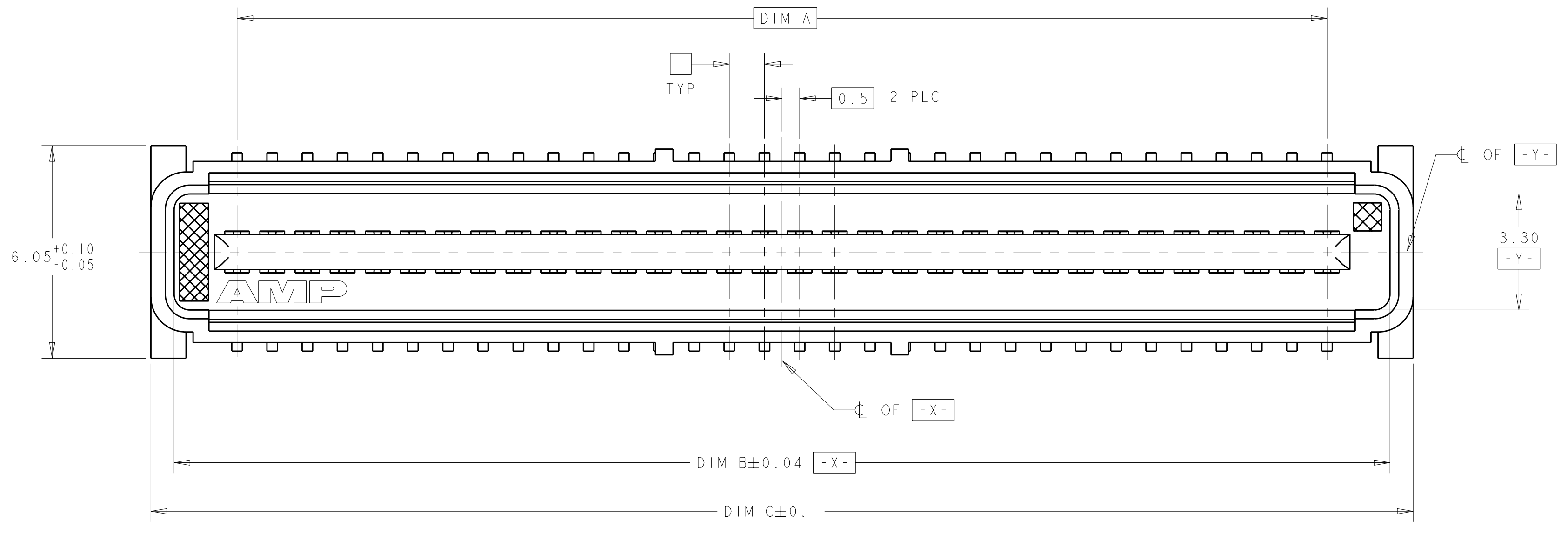


| LOC | DIST | REV | DATE | BY | CHK | APPD |
|-----|------|-----|------|----|-----|------|
| AD  | 00   |     |      |    |     |      |

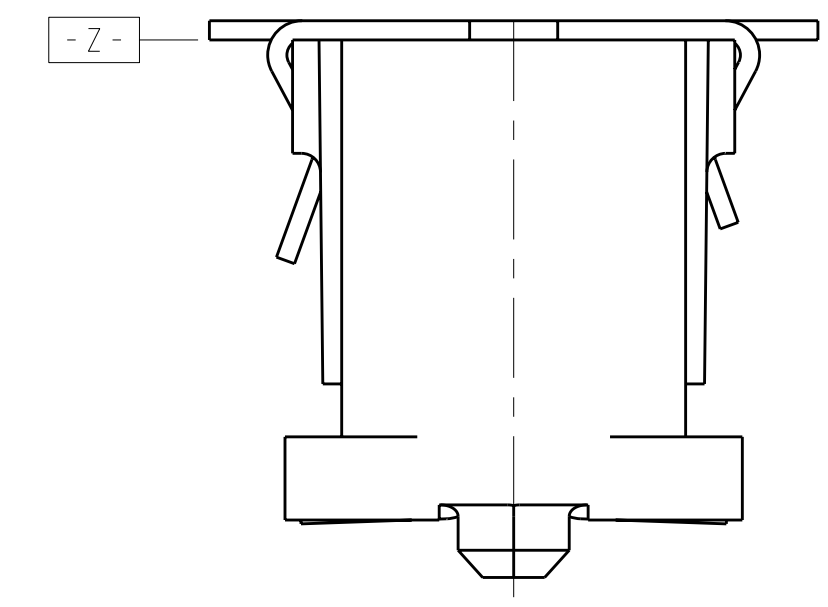
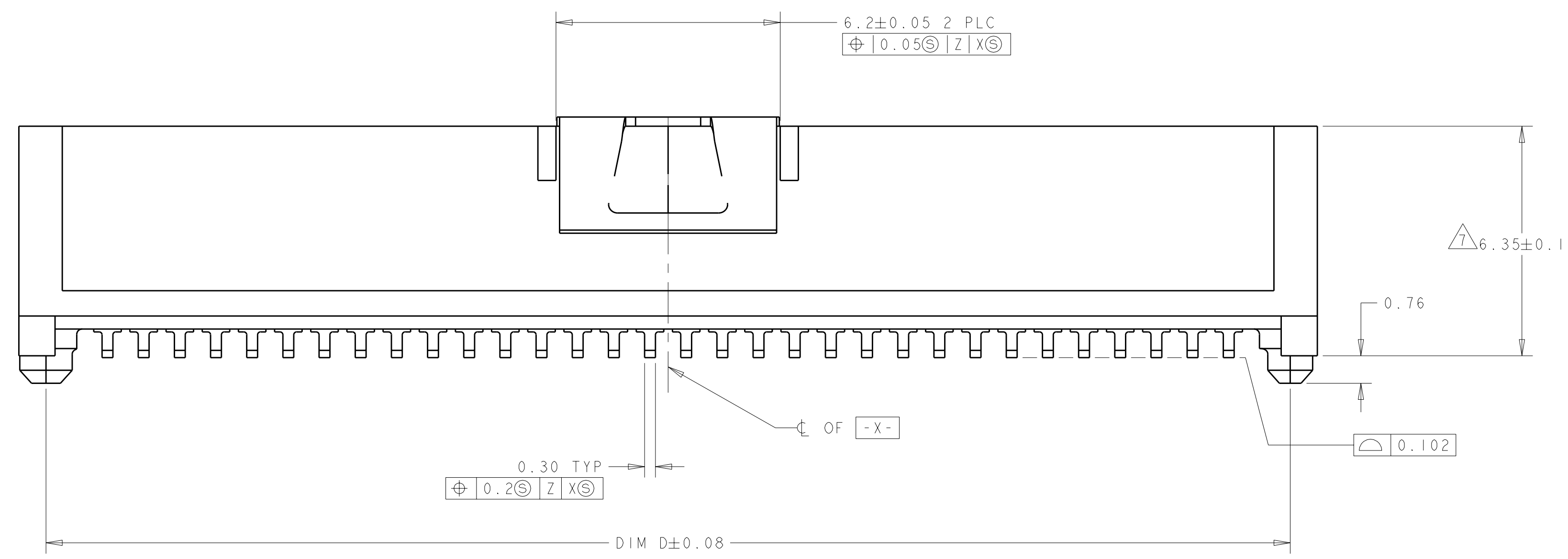
  

| REVISIONS |                             |           |
|-----------|-----------------------------|-----------|
| REV       | DESCRIPTION                 | DATE      |
| C         | REVISED PER EC 0512-0072-04 | 11FEB2004 |
| D         | REV PER ECO-06-026075       | 06FEB2007 |
| E         | REVISED PER ECO-08-008615   | 10JUL2008 |
| E1        | ECO-09-018464               | 26AUG2009 |

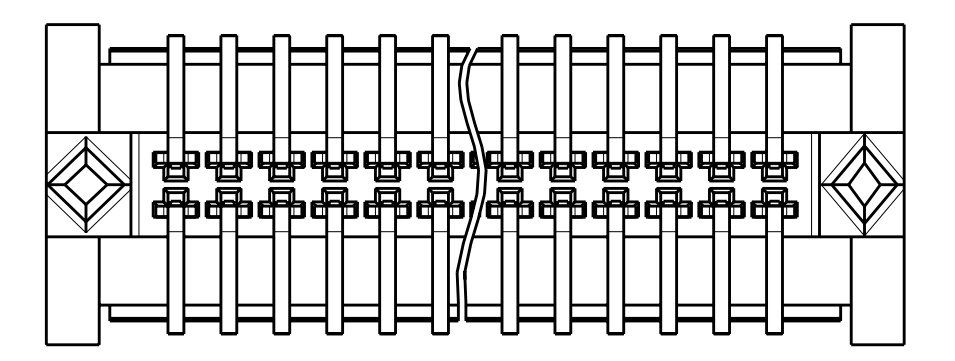


VACUUM COVER

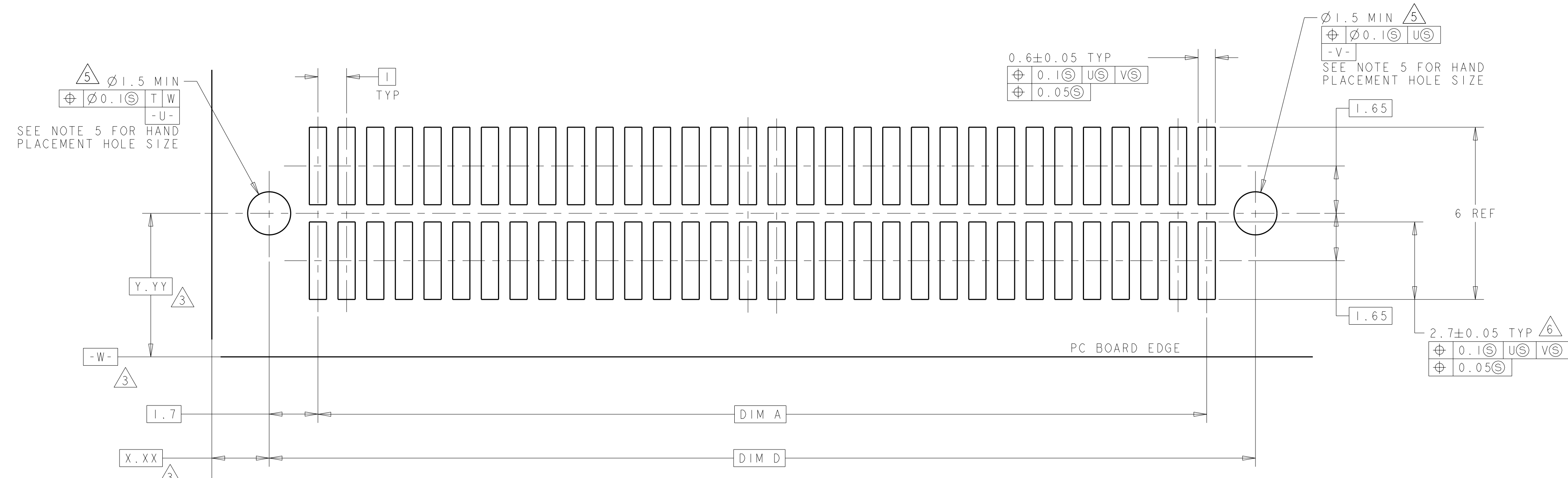
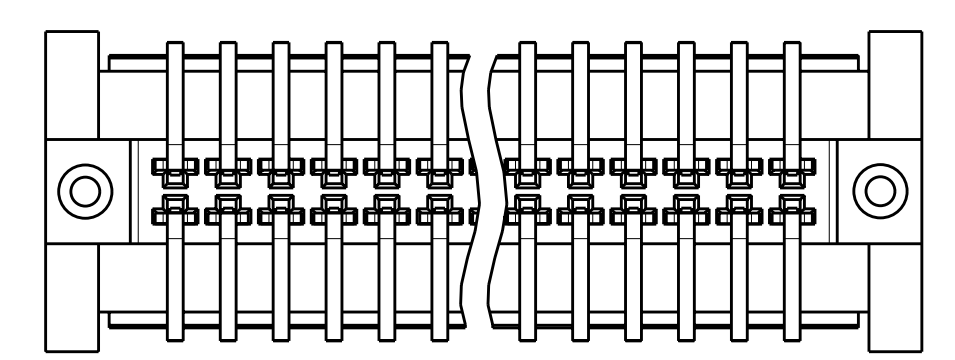
- 1 HOUSING MATERIAL: LIQUID CRYSTAL POLYMER COLOR: BLACK. CONTACT MATERIAL: PHOSPHOR BRONZE.
- 2 CONTACT FINISH: NICKEL UNDERPLATE ALL OVER, MATING SURFACES PLATED TO MEET PLI PERFORMANCE REQUIREMENTS OF INDUSTRY SPECIFICATION EIA-700AAA, SOLDER TAILS PLATED TIN-LEAD.
- 3 DATUM LOCATIONS AND BASIC DIMENSIONS TO BE ESTABLISHED BY THE CUSTOMER. CONSULT AMP ENGINEERING WHEN PLACING MULTIPLE CONNECTORS ON A PC BOARD.
- 4 PACKAGED IN TAPE ON REELS PER EIA-481.
- 5 1.4±0.05 DIAMETER HOLE WHEN PLACING BY HAND.
- 6 SHORTER SOLDER LANDS MAY BE USED PER EIA 700AAA, HOWEVER 2.7 LENGTH ASSURES OPTIMUM SOLDER FILLET REGARDLESS OF MANUFACTURER OF CONNECTOR.
- 7 REFERRED TO AS DIM N IN EIA 700AAA SPECIFICATION.
- 8 VACUUM COVER NOT SHOWN IN SOME VIEWS FOR CLARITY.
- 9 5.5 MIN DIAMETER TARGET AREA FOR VACUUM PICK-UP.
- 10 CONTACT FINISH: 0.00381 MINIMUM MATTE TIN-LEAD (93-7) ON SOLDER AREA, 0.00127 MINIMUM GOLD ON MATING AREA, BOTH OVER 0.00127 MINIMUM NICKEL ON ENTIRE CONTACT.
- 11 SQUARE AND DIAMOND SHAPED POSTS.
- 12 ROUND SHAPED POSTS.



STYLE A POST



STYLE B POST



RECOMMENDED PC BOARD LAYOUT

| POST STYLE | FINISH | DIM D | DIM C | DIM B | DIM A | STACK HEIGHTS | POS | AMP PART NUMBER |
|------------|--------|-------|-------|-------|-------|---------------|-----|-----------------|
| △          | △      | 44.4  | 45.9  | 44.58 | 41    | 8             | 84  | 3-146897-2      |
| △          | △      | 34.4  | 35.9  | 34.58 | 31    | 8             | 64  | 3-146897-1      |
| △          | △      | 44.4  | 45.9  | 44.58 | 41    | 8             | 84  | 2-146897-2      |
| △          | △      | 34.4  | 35.9  | 34.58 | 31    | 8             | 64  | 2-146897-1      |
| △          | △      | 44.4  | 45.9  | 44.58 | 41    | 8             | 84  | 1-146897-2      |
| △          | △      | 34.4  | 35.9  | 34.58 | 31    | 8             | 64  | 1-146897-1      |
| △          | △      | 44.4  | 45.9  | 44.58 | 41    | 8             | 84  | 146897-2        |
| △          | △      | 34.4  | 35.9  | 34.58 | 31    | 8             | 64  | 146897-1        |

|  |  |  |  |  |  |   |  |
|--|--|--|--|--|--|---|--|
| DIMENSIONS: mm<br>9 PLC ±<br>5 PLC ±0.03<br>4 PLC ±0.003<br>4 PLC ±<br>ANGLES ±0°30' |  | TOLERANCES UNLESS OTHERWISE SPECIFIED:<br>DIM A ±0.04<br>DIM B ±0.04<br>DIM C ±0.04<br>DIM D ±0.08<br>DIM E ±0.1<br>DIM F ±0.1<br>DIM G ±0.1<br>DIM H ±0.1<br>DIM I ±0.1<br>DIM J ±0.1<br>DIM K ±0.1<br>DIM L ±0.1<br>DIM M ±0.1<br>DIM N ±0.1<br>DIM O ±0.1<br>DIM P ±0.1<br>DIM Q ±0.1<br>DIM R ±0.1<br>DIM S ±0.1<br>DIM T ±0.1<br>DIM U ±0.1<br>DIM V ±0.1<br>DIM W ±0.1<br>DIM X ±0.1<br>DIM Y ±0.1<br>DIM Z ±0.1 |  | DWN: DK_SCHURM 28SEP98<br>CHN: CHAD_BAKER 28SEP98<br>APVD:   |  | Tyco Electronics Corporation<br>Harrisburg, PA 17105-3608 |  |
| MATERIAL: SEE TABLE  |  | PRODUCT SPEC: 502-1079<br>APPLICATION SPEC: 114-25045<br>WEIGHT:   |  | NAME: PLUG ASSY, W/VACUUM COVER, 1.0mm FH(1EEE 1386) CONNECTOR<br>SIZE: 00779<br>CAGE CODE: C=146897 |  | RESTRICTED TO:  |  |
| CUSTOMER DRAWING   |  | SCALE: 17:1  |  | SHEET: 1 OF 1  |  | REV: E1   |  |