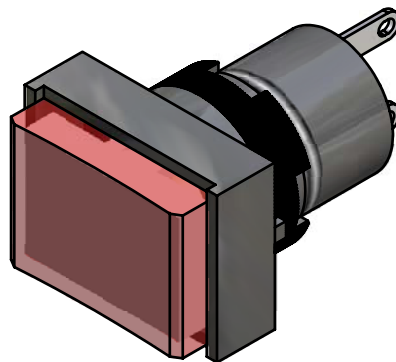
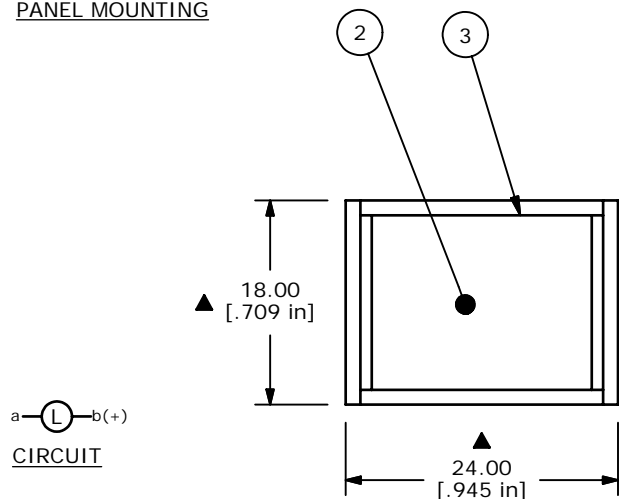


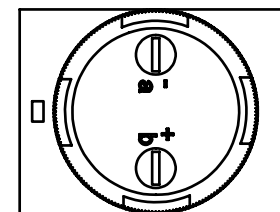
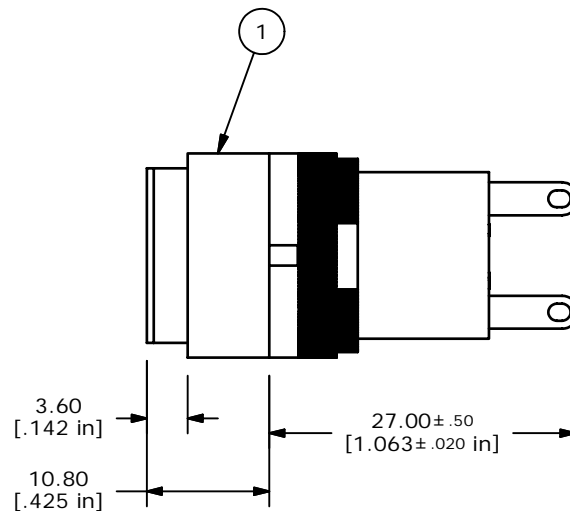
PANEL MOUNTING



PARTS LIST			
ITEM	QTY	PART NUMBER	DESCRIPTION
1	1	F040001	L16PLT10
2	1	F050412	50-004-12 110V AC NEON RED
3	1	F050204	50-002-04 RED LENS CONCAVE



CIRCUIT



- NOTE:
1. ALL DIMENSIONS IN MM [INCH]
  2. GENERAL TOLERANCE: X.X=±0.4  
X.XX=±0.25
  3. TERMINAL NUMBERS FOR REF ONLY
  4. OPERATING TEMP: -25°C to +55°C
  5. STORAGE TEMP: -40°C TO +85°C
  - ▲ 6. LAMP VOLTAGE: 110V AC
  7. ▲ DENOTES CRITICAL PARAMETER.

**E-SWITCH®**

A	15401	RELEASED FOR PRODUCTION	10/19/05	PH
REV	PCR NO	DESCRIPTION	DATE	BY

TITLE L16PLT10FREDRED				
SCALE	DATE	DR	DWG	REV
2:1	10/19/2005	PH	XF0652P	A

THE INFORMATION CONTAINED IN THIS DOCUMENT IS PROPRIETARY TO E-SWITCH AND IS NOT TO BE COPIED OR TRANSFERRED