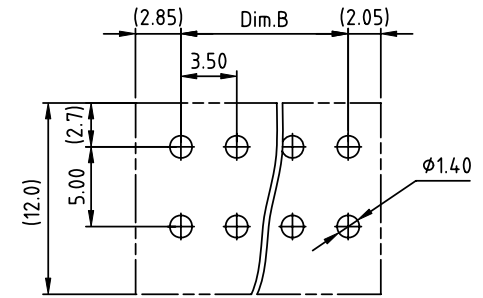
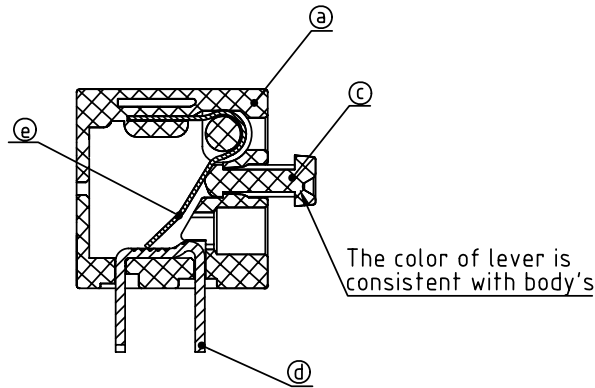
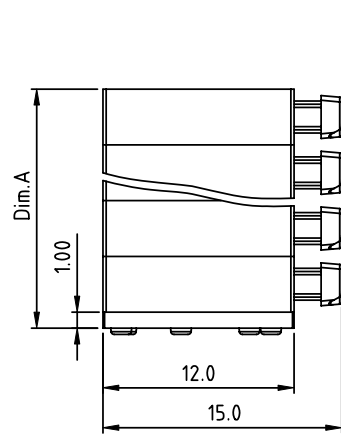


PRODUCT NUMBER	PITCH
HXxx23x100J0G	3.50 mm



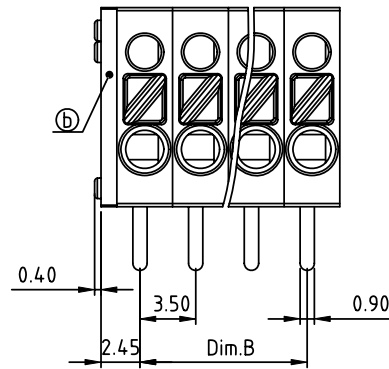
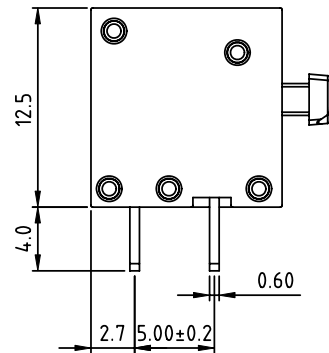
RECOMMENDED P.C.B LAYOUT
TOP VIEW

Material:

- Item a Terminal housing: Thermoplastic (UL94V-0)
- Item b Terminal cover: Thermoplastic (UL94V-0)
- Item c Lever: Thermoplastic (UL94V-0)
- Item d Solder pin : Brass, Tin plated
- Item e Spring : Stainless steel

Electrical cULus

- Voltage rating: AC 300V
- Current rating: 10A
- Wire range:
- Solid wire(AWG): 16-26
- Stranded wire(AWG): 16-26
- Wire strip length: 7-8mm
- Withstanding Voltage: 1.6KV
- Operating temperature: -40°C to +115°C
- Soldering temperature: 260°C±5°C/5 Sec
- Safety Approval:



N=Number of poles
Dim.A=N×3.5+1.0
Dim.B=(N-1)×3.5

Poles	Dim.A	Dim.B
2-6p	±0.20	±0.15
7-12p	±0.25	±0.20
13-18p	±0.30	±0.25
19-24p	±0.40	±0.30

PART NO.: HX xx 23 x 1 00J0 G

	End stackable	No. of poles	Color	RoHS compliant
0	0	2	Black (RAL9005)	(lead<4%) In copper Alloy
02	2 poles	3	Red (RAL3001/D)	
03	3 poles	4	Orange(RAL2011/P)	
...	...	5	Yellow(RAL1018/A)	
24	24 poles	6	Green(RAL6018/T)	
		8	Blue (RAL5015/A)	
		9	Grey(RAL7004/P)	
		9	White(RAL1102)	
		C	Multiple colors	

mat'l. code		surface ASME Y14.5	tolerance ASME Y14.5	projection	product family TERMINAL BLOCK
ltr	ecn no	dr	date		title TERMINAL BLOCK SPRING CLAMP,180D WIRE INLET DOUBLE CONTACT,B TYPE
tolerances unless otherwise specified					
angles		X.±0.5		scale	dwg no HXxx23x100J0G
X*±1°		X.XX±0.3			
dr		EVIN ZHONG	052614		size A4
enr		EVIN ZHONG	052614		
chr		HANKE FENG	052614		
appd		SHI JUN	052614	type CUSTOMER Drawing	
sheet index	revision sheet	A	1		