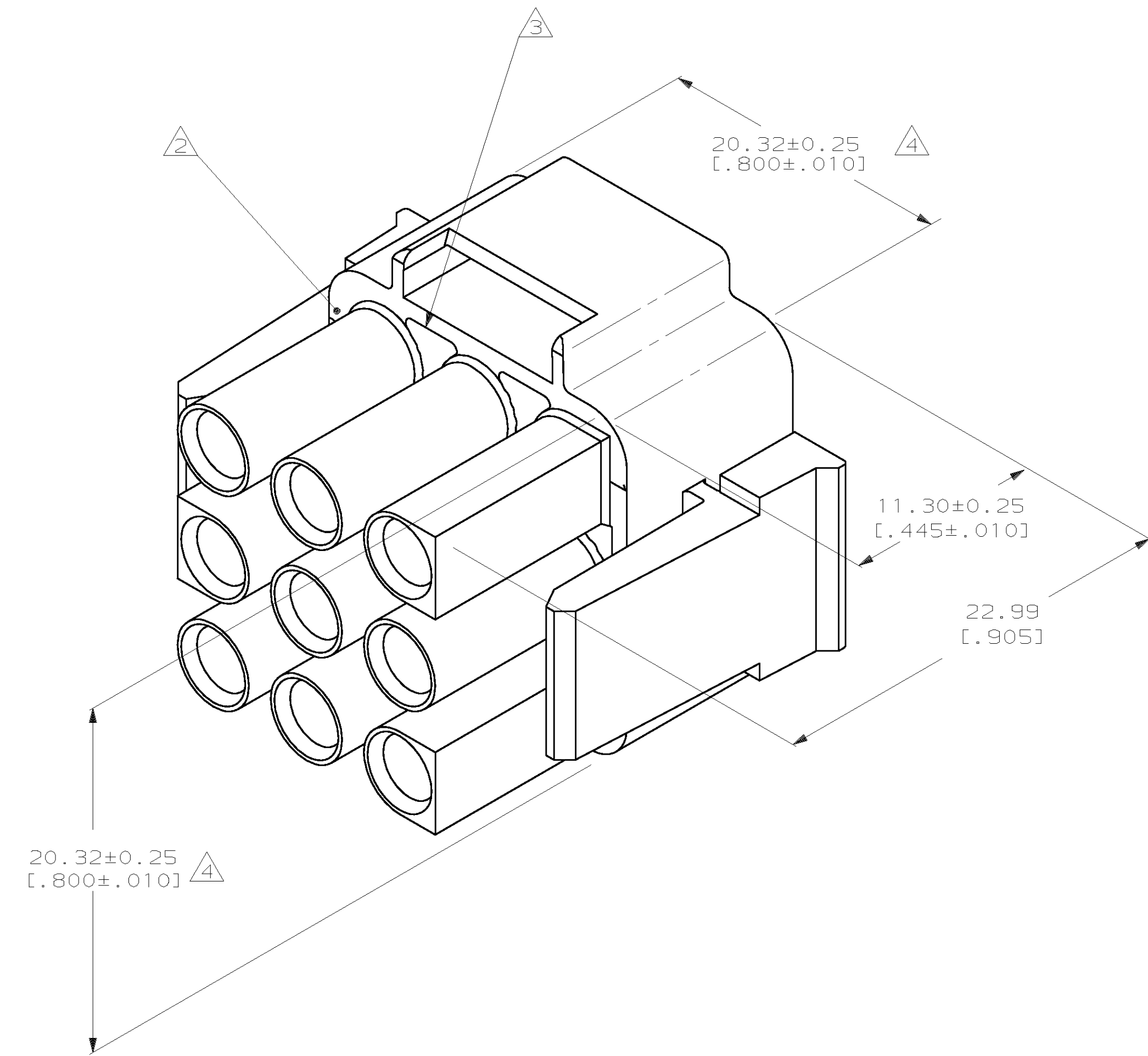
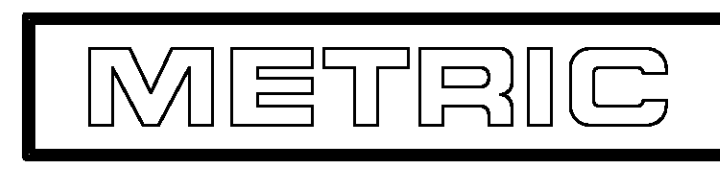


LOC		DIST		REVISONS		DATE	APPD
CM	53	P	F	ZONE	LTR		
				F		REV PER EC 0L30-0036-97	JH RS

- MUST BE ASSEMBLED WITH PLUG REAR P/N 770040-1 BEFORE MATING. KIT P/N IS 770021-1.
- AMP LOGO LOCATED THIS SURFACE.
- NEW MOLD CONSTRUCTION PROVIDES MATERIAL REDUCTION CORING AT BASE OF SILOS WITH NO CORING AS OPTIONAL.
- DIMENSION INDICATED IS AS MOLDED. ADDITIONAL GROWTH DUE TO SUBSEQUENT MOISTURE ABSORPTION MAY OCCUR.
- DIMENSIONS IN BRACKETS ARE IN INCHES.



770039-1
PART NUMBER



DO NOT SCALE PRINT. UNLESS SPECIFIED DIMENSIONS IN mm TOLERANCES ON:		DR 1-15-92 K. SALMON		AMP INCORPORATED Harrisburg, Pa. 17105	
2. PLC DEC ± 0.13 (0.005)		CHK 1-15-92 R. SWING			
3. PLG DEC ± 0.13 (0.005)		APPD 1-16-92 M. TRULL		NAME	
ANGLES ±		APPD 1-16-92 M. TRULL		PLUG FRONT, 9 CIRCUIT, UNIVERSAL MATE-N-LOK™ II	
MATERIAL NYLON, UL94V-0,		PRODUCT SPEC		DRAWING NO 770039	
FINISH		APPLICATION SPEC		SIZE D 00779	
WEIGHT				SCALE 5:1	
				SHEET 1 OF 1	