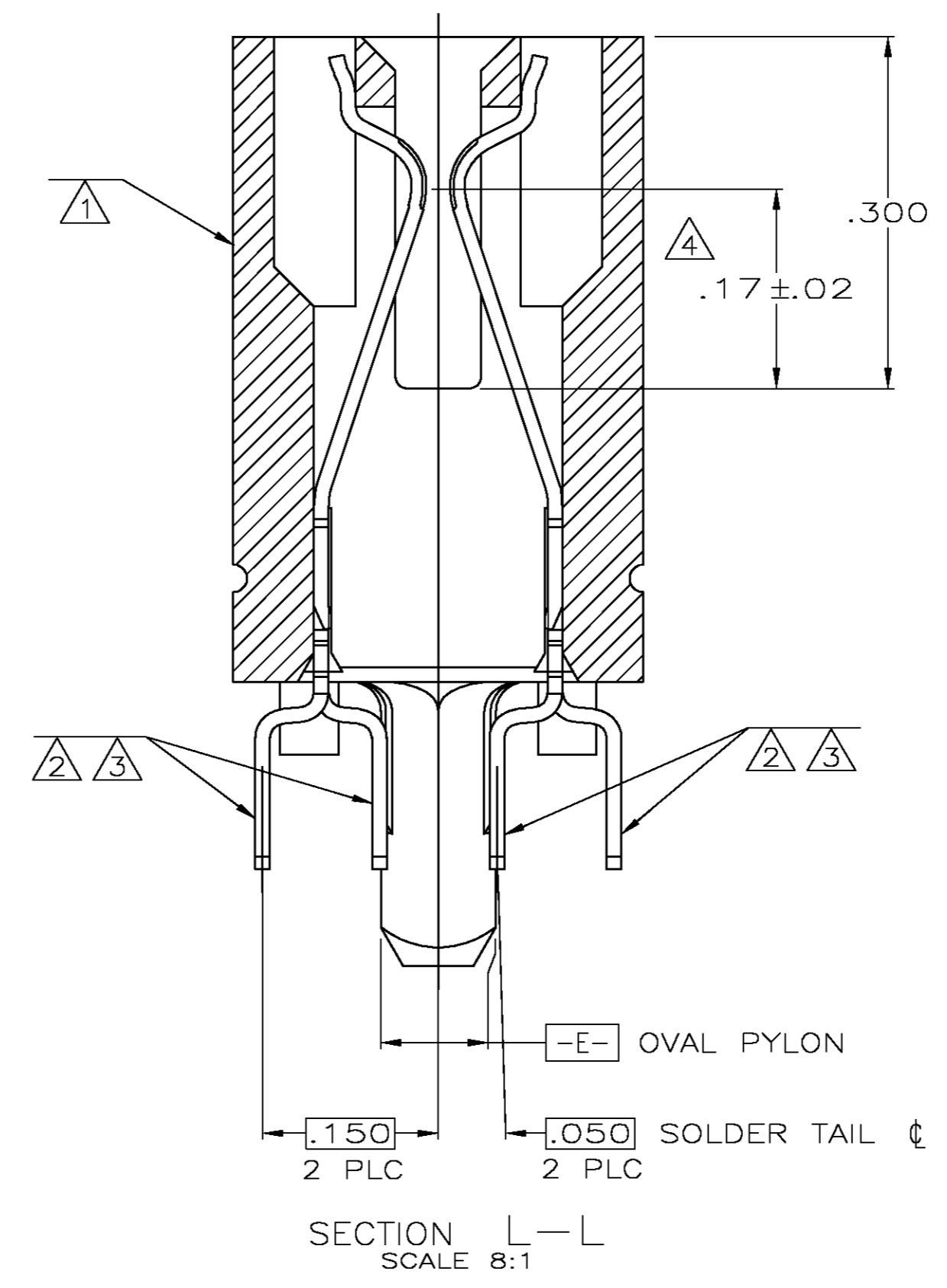
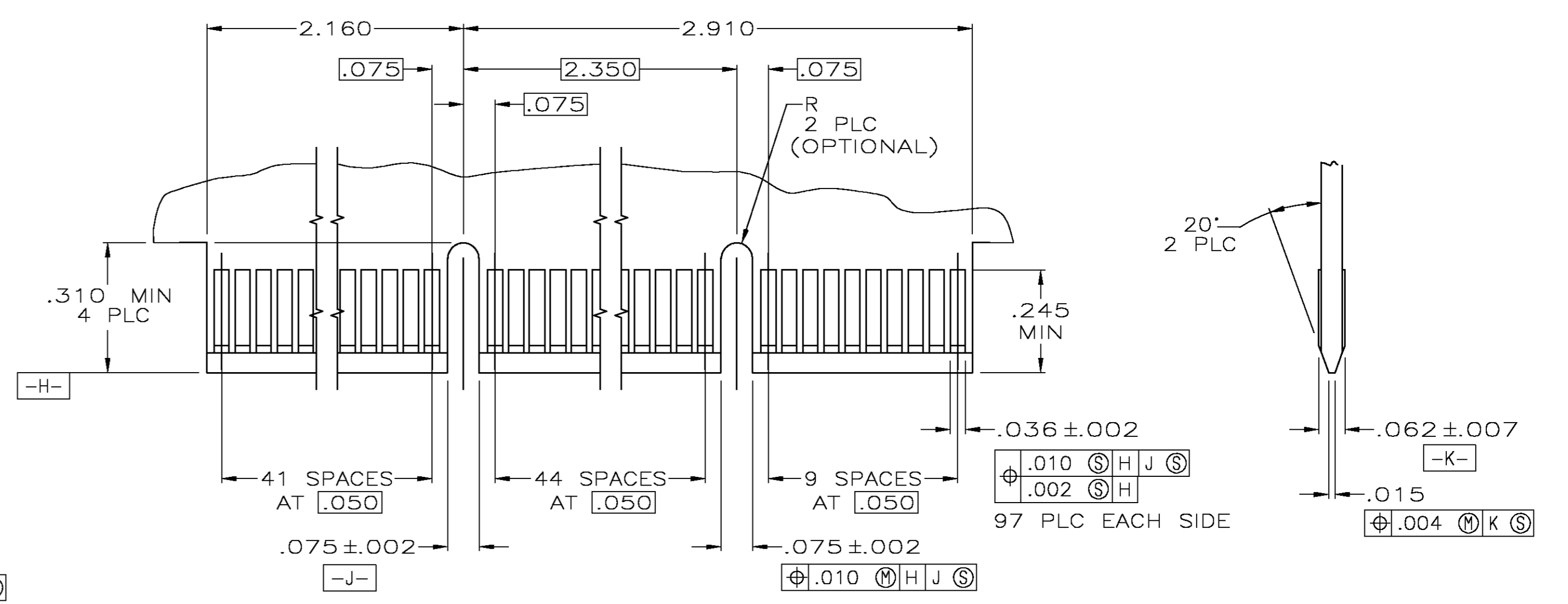


RECOMMENDED CONNECTOR MOUNTING HOLE PATTERN
(CONNECTOR SIDE SHOWN)



SECTION L-L
SCALE 8:1

- ① HOUSING: HIGH TEMPERATURE THERMOPLASTIC. COLOR: BROWN.
- ② CONTACT: PHOSPHOR BRONZE.
- ③ CONTACT FINISH: .000100 MIN NICKEL ALL OVER. .000030 MIN GOLD OVER NICKEL IN CONTACT AREA. .000100 MIN MATTE TIN OVER NICKEL ON SOLDER TAILS.
- ④ DISTANCE FROM CONTACT POINT TO BOTTOM OF CARD SLOT.
- ⑤ AMP PART NUMBER, DATE CODE AND CSA LOGO MARKED IN APPROXIMATE AREA SHOWN.



RECOMMENDED MATING BOARD EDGE CONFIGURATION

.14	5650706-2
.10	5650706-1
W	PART NUMBER

OBSOLETE

THIS DRAWING IS A CONTROLLED DOCUMENT.		DRN AL FRANTUM 11 MAY 05		Tyco Electronics Corporation Harrisburg, Pa 17105-3608
DIMENSIONS: INCHES		APVD AL FRANTUM		NAME
TOLERANCES UNLESS OTHERWISE SPECIFIED:		PRODUCT SPEC 108-14034	SIZE	CAGE CODE DRAWING NO
0 PLC ± -		APPLICATION SPEC 114-26012	RESTRICTED TO	
1 PLC ± .01		WEIGHT	A1	00779C=5650706
2 PLC ± .005		CUSTOMER DRAWING	SCALE 4:1	SHEET 1 OF 1
3 PLC ± -				REV A
4 PLC ± -				
ANGLES ± 2				
FINISH				