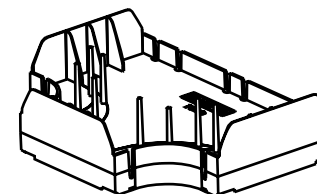
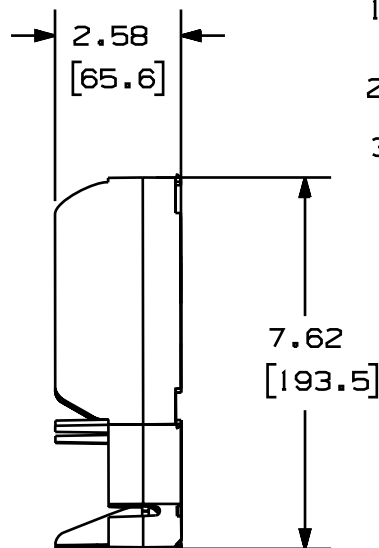
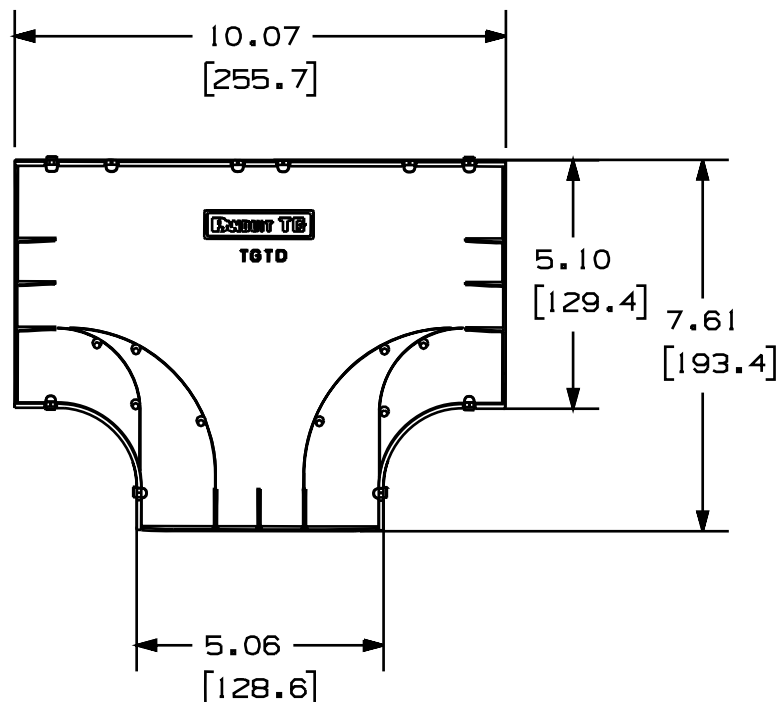


THIS COPY IS PROVIDED ON A RESTRICTED BASIS AND IS NOT TO BE USED IN ANY WAY DETRIMENTAL TO THE INTERESTS OF PANDUIT CORP.

PANDUIT P/N	WEIGHT
TGTD	.7 LB/1 PC (318 g/1 PC)

NOTES:

1. SEE CURRENT CATALOG FOR ADDITIONAL PART NUMBER SUFFIXES TO INDICATE COLOR AND/OR PACKAGE QUANTITY.
2. THIS PRODUCT IS INTENDED TO BE USED WITH PANDUIT TYPE TG RACEWAY.
3. THIS PRODUCT IS FEATURED WITH A 40mm BEND RADIUS.



CAD FILENAME/LAYERS D37270DN_DC_TGTD_OOA.PRT

PANDUIT CORP. TINLEY PARK, ILLINOIS
 TG TEE FITTING INSERT (TGTD)
 CUSTOMER DRAWING

UNLESS OTHERWISE SPECIFIED,
 DIMENSIONAL TOLERANCES ARE:
 (.X) ± (.XXX) ±
 (.XX) ±.03 (.8) ANGLES ±

UNLESS OTHERWISE SPECIFIED,
 ALL DIMENSIONS ARE GIVEN
 IN INCHES, THIRD ANGLE PROJECTION.

DRAWN BY
 JHNU

MAT'L:

SCALE

NONE

DATE
 3-10-00

PVC

DRAWING NO.

37270-41

DWG

A

SIZE

REV	DATE	BY	CHK	DESCRIPTION	ECN	CHK	CUST	SUP
R	3-10-00	JHNU	CAZ	RELEASED TO PRODUCTION.	37270-41	HIW	HIW	