

# SMD RTC Crystal Oscillators 2.5 x 2.0 x 0.8 mm 8WZ Series

Think of Frequency Think of **TXC**  
come visit our site <http://www.txccrystal.com>



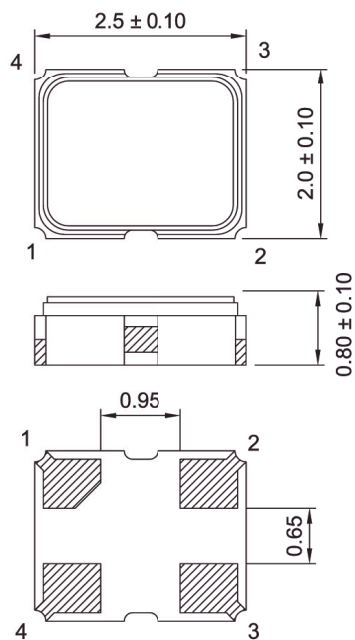
## Features

- Ultra small 32.768 kHz RTC oscillator in seam sealed ceramic package.
- 4 pads design to achieve good soldering contact on PCB.
- Use AT crystal as the resonator for good temperature performance.
- Tri-State function available for power saving.
- RoHS Compliant / Pb Free.

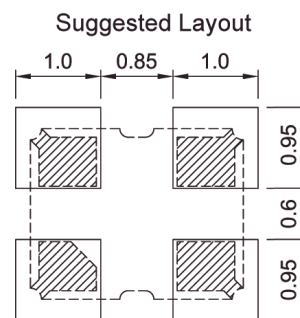
## Electrical Specifications

Item / Type	8WZ
Norminal Frequency	32.768 kHz
Oscillation Mode	AT Fundamental
Output Type	CMOS
Output Load	15 pF, or specify
Supply Voltage	1.8 V , 2.5V , 2.8 V , 3.3 V
Frequency Stability	± 25 ppm , ± 50 ppm , ± 100 ppm
Operating Temperature Range	- 10 ~ + 70 °C , - 40 ~ + 85 °C
Storage Temperature Range	- 55 ~ + 125 °C
Voltage Vol ( Max. ) / Voh ( Min. )	0.1 VDD / 0.9 VDD
Rise ( Tr ) / Fall ( Tf ) Time	200 ns Max.
Current Consumption	3 mA Max.
Symmetry	45 ~ 55 %
Start-up Time	10 ms Max.
Tri-state Voltage Vol (Max.) / Voh (Min.)	0.3 VDD / 0.7 VDD
Aging ( at 25 °C )	± 5 ppm at first year.

## Dimensions



PAD FUNCTION:  
1:ENABLE CONTROL  
2:GND  
3:OUT  
4:VDD



Units: mm

Remark : Specification subject to change without prior notice. Please confirm with our sales.