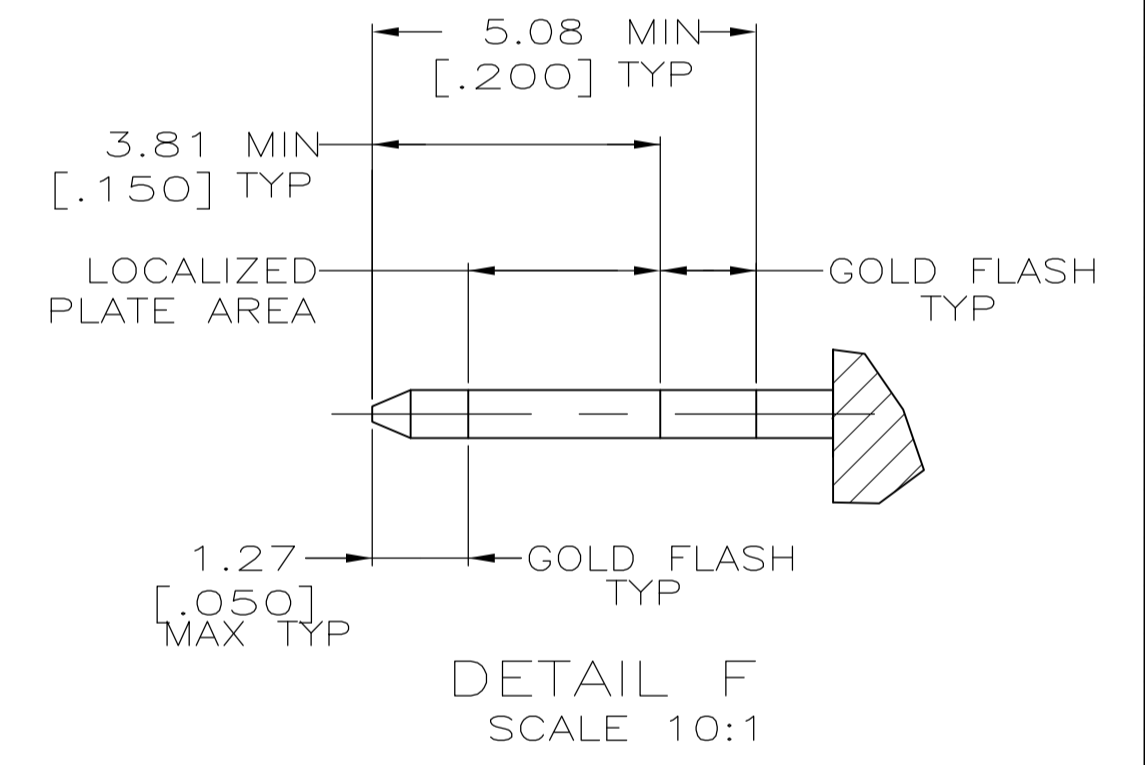
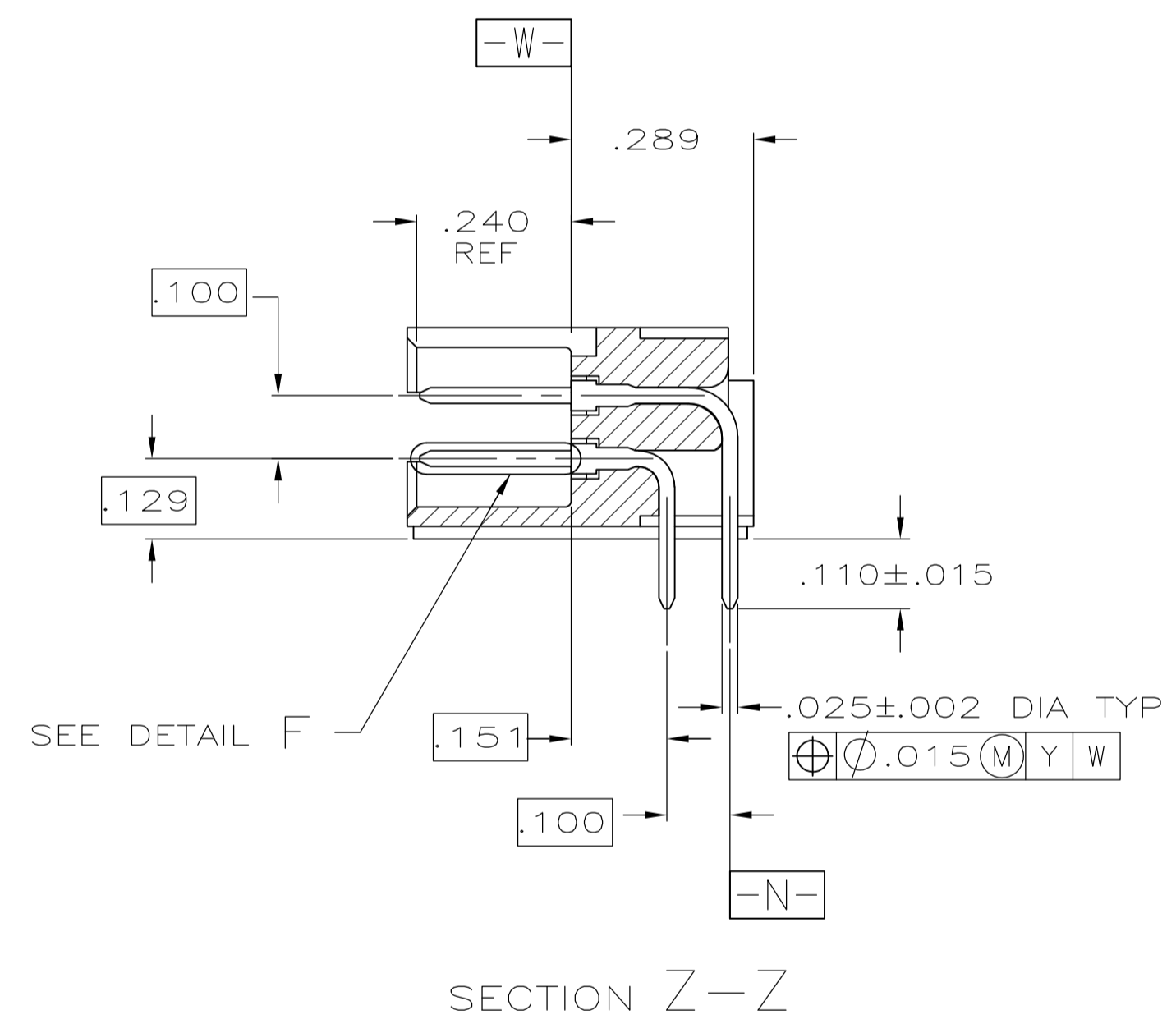


RECOMMENDED P C BOARD MOUNTING DIMENSIONS

- 1 NO SNAP-IN POLARIZING FEATURE ON THIS END FOR 10 & 14 POS. HEADERS.
- 2 POST: GOLD FLASH OVER PALLADIUM-NICKEL PLATE, .000030 MIN TOTAL ON THE LOCALIZED PLATE AREA, .000100 MIN TIN-LEAD PLATE ON THE SOLDER-TAIL, .000050 MIN NICKEL UNDERPLATE ON THE ENTIRE POST.
-OR-
.000030 MIN GOLD PLATE ON THE LOCALIZED PLATE AREA, .000100 MIN TIN-LEAD PLATE ON THE SOLDER-TAIL, .000050 MIN NICKEL UNDERPLATE ON THE ENTIRE POST.
- 3 RECOMMENDED STENCIL THICKNESS EQUALS .010
- 4 FOR 10 POS.HEADER ONLY, ONE SLOT LOCATED AS SHOWN.
- 5 MAXIMUM DISTANCE FROM EDGE OF PC BOARD FOR DAISY CHAIN APPLICATIONS
- 6 OBSOLETE PARTS: OBSOLETE CIS STREAMLINING PER D.RENAUD/D.SINISI



| | | | | | | | |
|------------|-------|-------|-------|------|------|----|------------|
| OBSOLETE | 2.100 | 2.400 | 2.560 | 2.80 | 2.96 | 44 | 1-111105-3 |
| | 3.100 | 3.400 | 3.560 | 3.80 | 3.96 | 64 | 1-111105-2 |
| SUPERCEDED | 2.900 | 3.200 | 3.360 | 3.60 | 3.76 | 60 | 1-111105-1 |
| | 2.400 | 2.700 | 2.860 | 3.10 | 3.26 | 50 | 1-111105-0 |
| SUPERCEDED | 1.900 | 2.200 | 2.360 | 2.60 | 2.76 | 40 | 1-111105-9 |
| | 1.600 | 1.900 | 2.060 | 2.30 | 2.46 | 34 | 1-111105-8 |
| SUPERCEDED | 1.400 | 1.700 | 1.860 | 2.10 | 2.26 | 30 | 1-111105-7 |
| | 1.200 | 1.500 | 1.660 | 1.90 | 2.06 | 26 | 111105-6 |
| SUPERCEDED | 1.100 | 1.400 | 1.560 | 1.80 | 1.96 | 24 | 1-111105-5 |
| | .900 | 1.200 | 1.360 | 1.60 | 1.76 | 20 | 111105-4 |
| SUPERCEDED | .700 | 1.000 | 1.160 | 1.40 | 1.56 | 16 | 1-111105-3 |
| | .600 | .900 | 1.060 | 1.30 | 1.46 | 14 | 1-111105-2 |
| OBSOLETE | .400 | .700 | .860 | 1.10 | 1.26 | 10 | 111105-1 |

THIS DRAWING IS A CONTROLLED DOCUMENT.

| | | | |
|---|--|----------------------|------------------------------|
| DIMENSIONS: INCHES | TOLERANCES UNLESS OTHERWISE SPECIFIED: | DIN J. GROFT 5-28-86 | STE TE Connectivity |
| 0 PLC ± - | 1 PLC ± - | 6-5-86 | M.L. RUPERT |
| 2 PLC ± - | 3 PLC ± .005 | 6-5-86 | B. STEPHENSON |
| 4 PLC ± - | ANGLES ± - | | |
| MATERIAL: MOLDED PARTS: 94V-0 RATED THERMOPLASTIC, RED POSTS: BRASS | FINISH | APPROVED | NAME |
| | | SIZE | CAGE CODE |
| | | WEIGHT | DRAWING NO |
| | | | RESTRICTED TO |
| | | CUSTOMER DRAWING | SCALE 4:1 SHEET 1 OF 1 REV J |