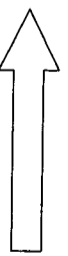
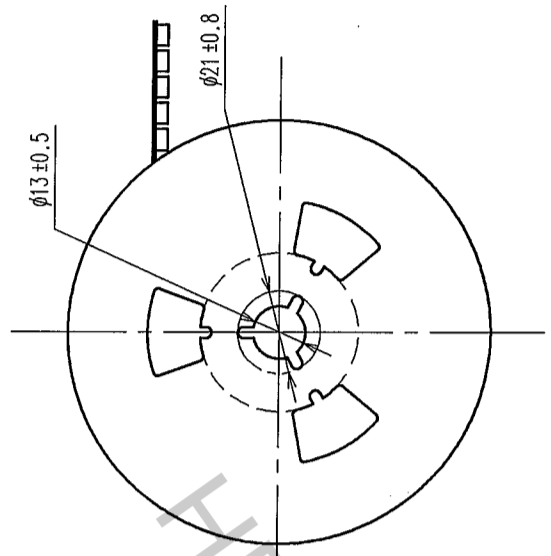
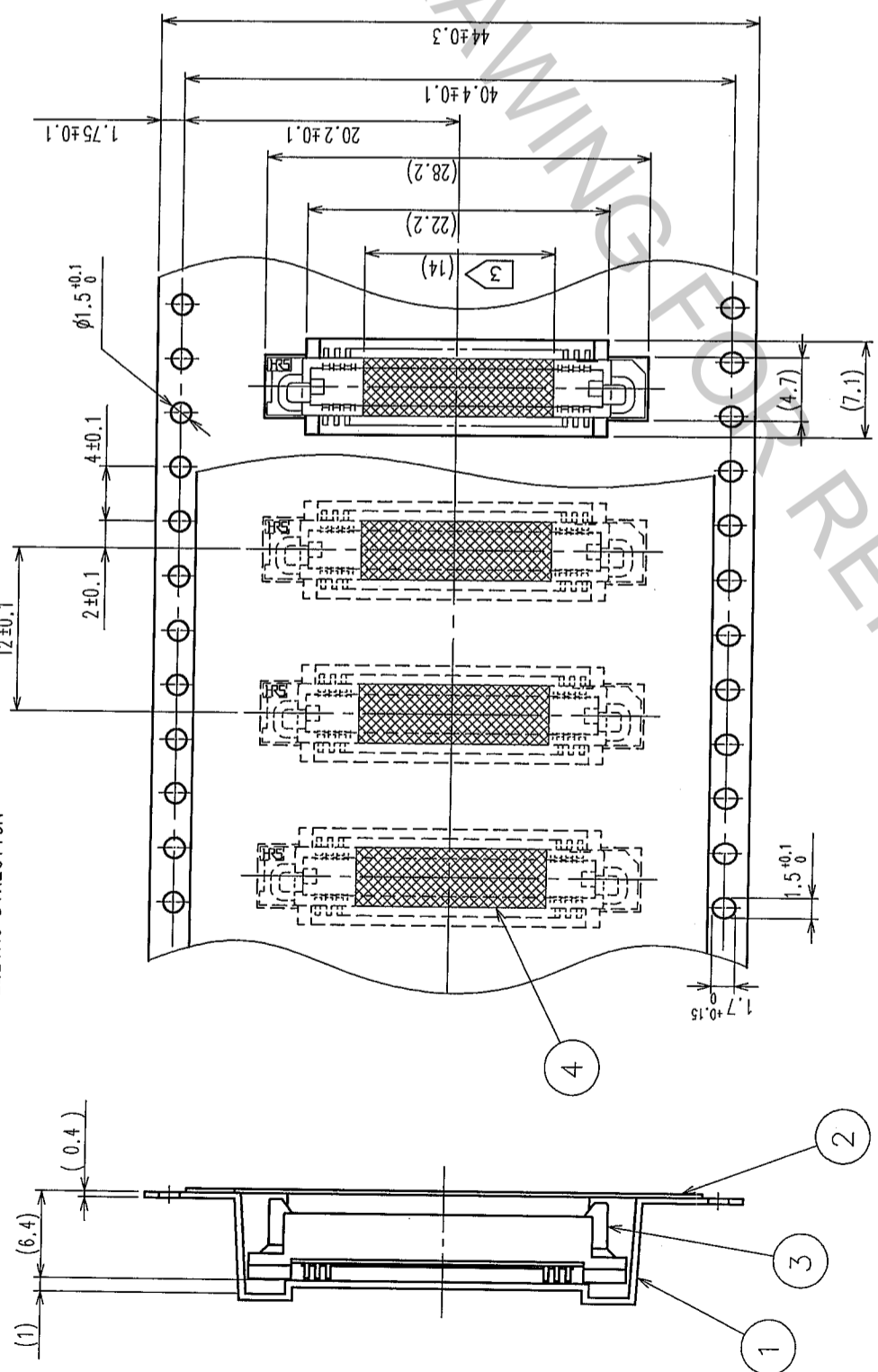


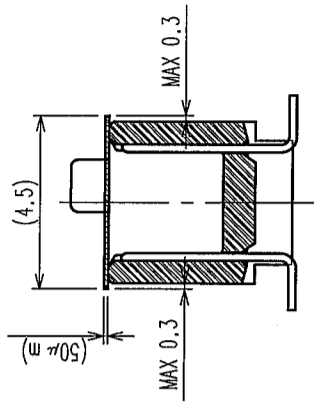
COUNT	DESCRIPTION OF REVISIONS	BY	CHKD	DATE	COUNT	DESCRIPTION OF REVISIONS	BY	CHKD	DATE



UNREELING DIRECTION



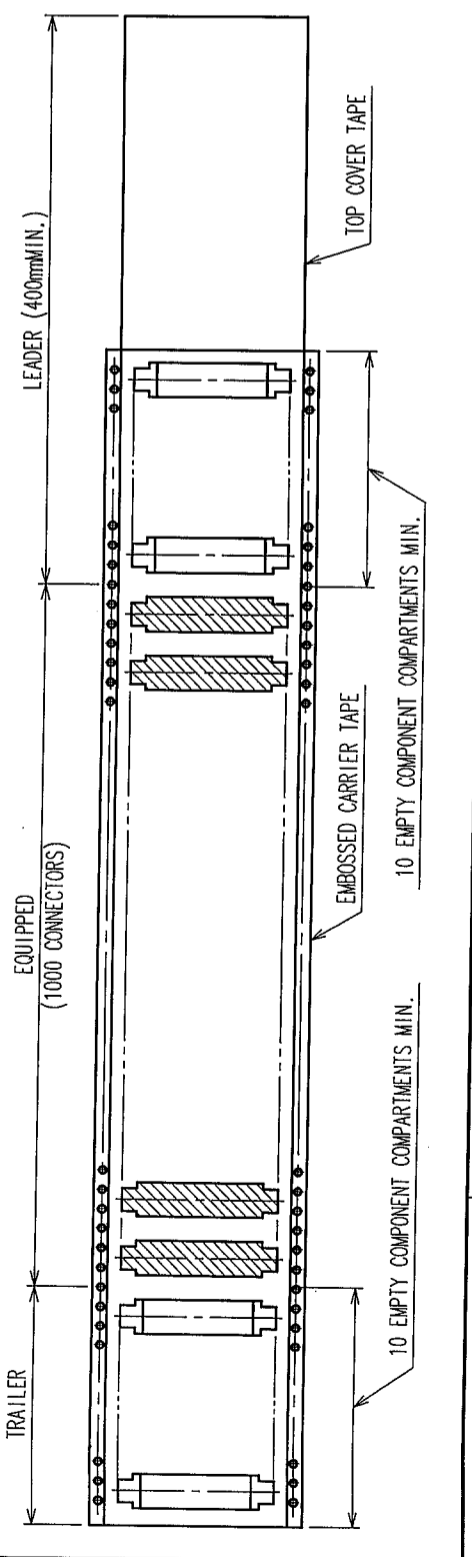
REEL DIMENSION (FREE)



DETAIL OF TAPE FOR VACUUM PICKUP (5:1)

NOTE 1 THE DIMENSIONS IN PARENTHESES ARE FOR REFERENCE.
 2 1 REEL : 1000 CONNECTORS

3 REMOVE THE VACUUM PICK-UP TAPE AFTER MOUNTING THE CONNECTOR.



2	POLYESTER	TOP COVER TAPE	4	POLYIMIDE	TAPE FOR VACUUM PICKUP (CONNECTOR)
1	POLYSTYRENE	EMBOSSED CARRIER TAPE	3		
NO.	MATERIAL	FINISH, REMARKS	NO.	MATERIAL	FINISH, REMARKS
CL					
DRAWN		DESIGNED		CHECKED	
Y. AOYAGI		H. Mada		K. Okawa	
'05.09.15		'05.09.26		'05.09.26	
DRAWING NO. EDC3-071643-23			PART NO. FX6A-50P-0.8SV1(93)		
SCALE 2 : 1			CODE NO. CL576-0224-8-93		
UNITS mm			HIROSE ELECTRIC CO., LTD		

TO	
----	--