

5

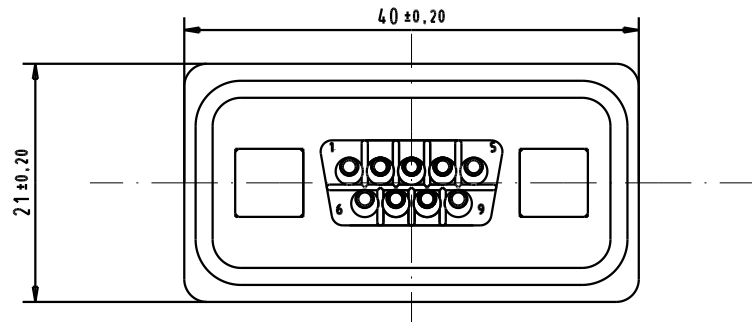
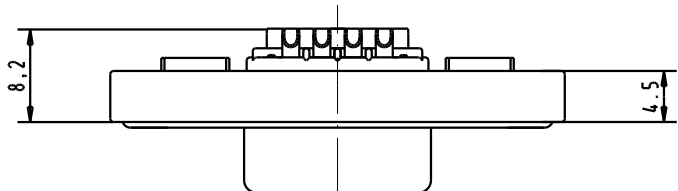
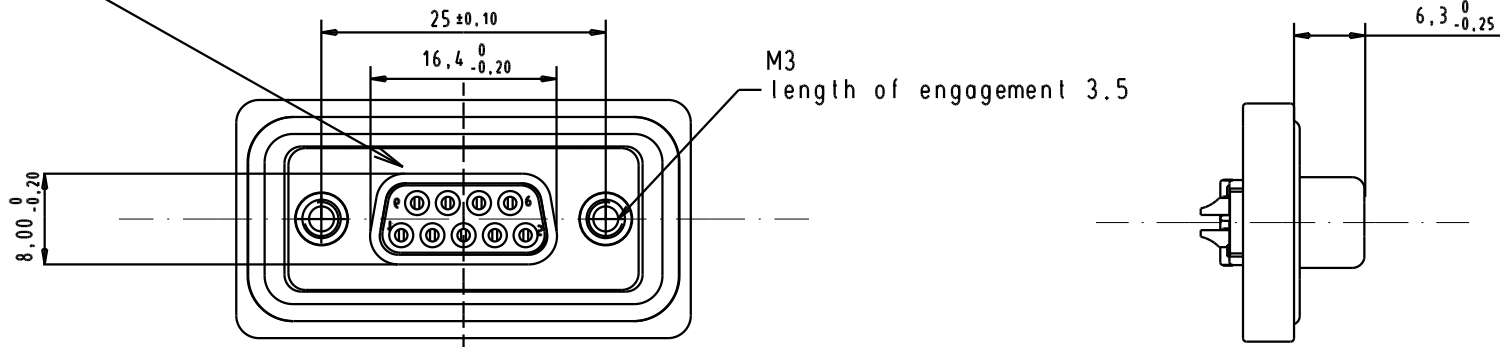
4

3

2

1

Mating face according to : MIL-C-24308 / DIN 41652 / CECC 75.01-802



- 1) Protection standard IP 67 according to IEC 529 / DIN 40050.
- 2) cable: AWG 20 max



D

C

B

A

09 67 509 8715	Au plating 0,76 µm mini
Part Number	Performance Level

				Dat.	Name	 All Dim. in mm Orig. Size DIN A 4	
				Detail.	03/02/04		S.H.
				Insp.			
				Stand.			
31587	03/02/04	S.H.	HARTING ELEKTRONIK F-95972 Paris				
Mod.	Dat.	Name					

D-SUB IP67 female 09 Poles straight solder cup with M3 nut with plastic frame		Moßstab/ Scale
TB 09 67 509 8715		Blatt/ Page
Sub.		