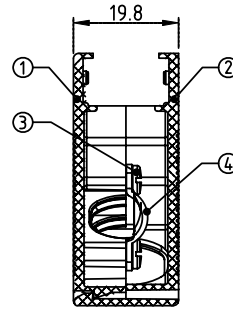
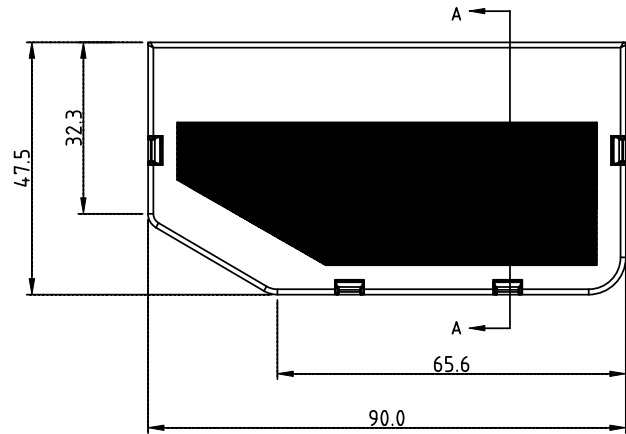


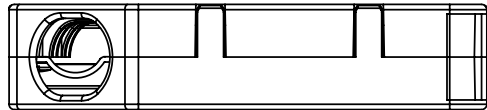
PRODUCT NUMBER	PITCH
AD18505000JOG	5.08 mm



Section A-A

Material

- Item ① Terminal (Bottom shell): Thermoplastic (UL94-HB) Color: Green(RAL6018/T)
- Item ② Terminal (Top shell): Thermoplastic (UL94-HB) Color: Green(RAL6018/T)
- Item ③ Screw: Steel Zinc plated, "-" solt. PA 2.9x8.9
- Item ④ Locating piece: SPCC (T=1.0mm), Zinc plated



mat'l. code		surface ASME Y14.5 ✓	tolerance ASME Y14.5	projection ⊕	product family TERMINAL BLOCK	
ltr	ecn no	dr	date	MM ← →	title TERMINAL BLOCK ACCESSORIES	
				scale		
		dr	EVIN ZHONG 070914	FCI	dwg no	
		enr	EVIN ZHONG 070914		sheet 1 of 1	size
		chr	HANKE FENG 070914		AD18505000JOG	A4
		appd	SHI JUN 070914		type	CUSTOMER Drawing
sheet index	revision	A	1			