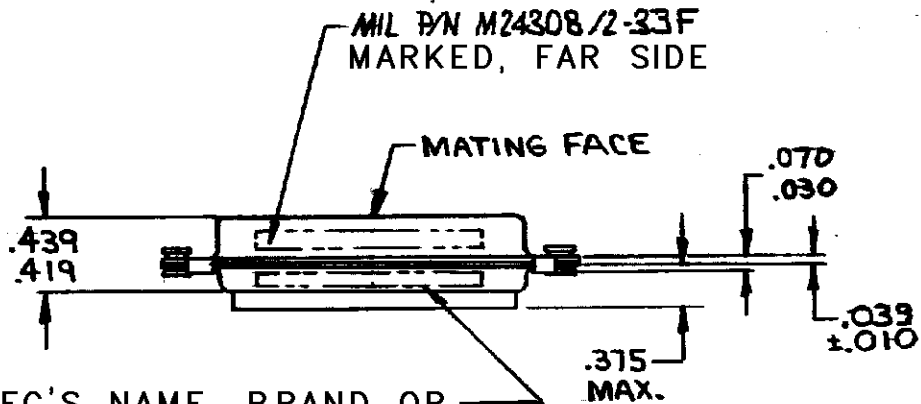
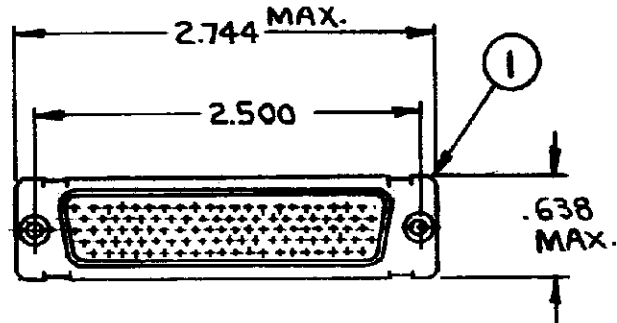


DRAWING MADE IN AMERICAN PROJECTION

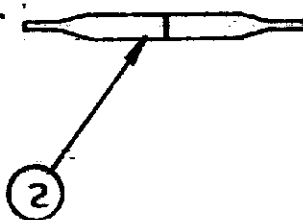
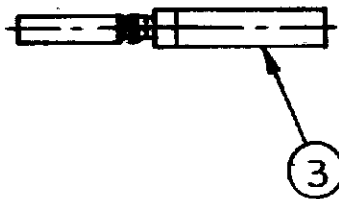
© 1970 BY AMP INCORPORATED. ALL RIGHTS RESERVED. AMP PRODUCTS COVERED BY PATENTS AND/OR PATENTS PENDING.

⚠ APPROPRIATE AMP P/N (KIT) IS MARKED ON PACKAGE

Reproduction of this drawing without permission of AMP is prohibited.



MFG'S NAME, BRAND OR LOGO, MFG'S PART NO AND DATE CODE, MARKED FAR SIDE



REVISIONS				
ZONE	LTR	DESCRIPTION	DATE	APPROVED
	A	REV. & REDRAWN, RELEASED WAS 5066-168 PER ECN A-962	12/29/70	Lm/98
		NOTES ADDED, ECN B-011	2/4/71	98/98
	B	REV. PER ECN B-948	5/11/73	Lm/97
	B	REV. PER ECN E-342	5/6/76	Lm/98
	C	REV. PER ECN G-047	2/8/79	D/S/98
	D	REV PER ECN DF-0021, DF-DKD R2670	7-13-78	EAM
	E	REV PER DF-2511	T.W. 1/87	AZ
	F	ECO-08-023688	PY 11-08	BW

SUPD BY 204546-2 5 91067-1

<input checked="" type="checkbox"/>	-	-	MILITARY P/N M24308/2-44 MARKED ON PACKAGE	
<input checked="" type="checkbox"/>	-	-	MILITARY P/N M24308/2-33F MARKED ON PACKAGE	
1	1	B	204351-1 CONTACT, SOCKET, SIZE 22 D	3
1	1	B	91067-1 INSERTION & EXTRACTION TOOL	2
1	1	A	204534-1 RECEPTACLE ASSY., SIZE #6	1

UNLESS OTHERWISE SPECIFIED DIMENSIONS ARE IN INCHES TOLERANCES ON: DECIMALS ± .015 ANGLES ± H	CONTRACT NO.	12-29-70	<b>AMP</b> AMP INCORPORATED HARRISBURG, PENNSYLVANIA					
	DR.	L. Morington						
MATERIAL	NAME	KIT, "HDD" SERIES, RECEPTACLE, SIZE #6						
	APPD.	D. Baer 1-19-71						
	DESIGN APPR.	R. Holliday 1-19-71						
OTHER APPD.	SIZE	B	CODE IDENT NO.	00779	NUMBER	204546	REV	F
	SCALE	H	SHEET	1 OF 1				