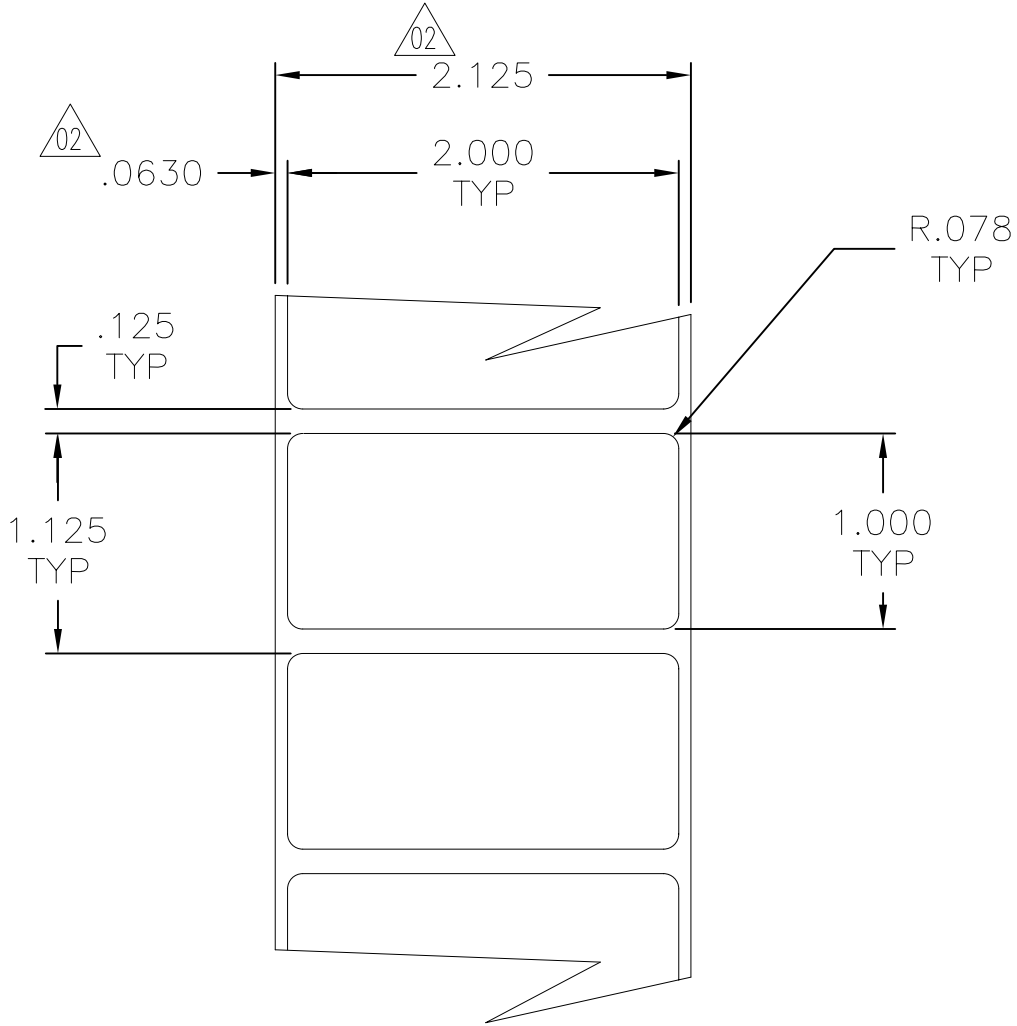


name	date	city, state



3,000 LABELS PER ROLL
1 ACROSS

PART NUMBER	MATERIAL
TAG73T1-795	795 - METALIZED POLYESTER
TAG73T1-822	822 - WHITE POLYESTER
TAG73T1-DTH	DTH - DURATTACH POLYOLEFIN

REVISION

DRAWING	level	02
DATE	10/12/05	
BY	AAC	
ECN #	010249	
part level	-	

DIMENSIONS

TOLERANCES

.XXXX=

.XXX= ±.010

.XX=

.X=

∠=

unless otherwise specified

units inches

PART

number	SEE CHART	phase	PRODUCTION
name	TAG73T1 THERMAL TRANSFER BLANK LABEL		
material	SEE CHART		

DRAWING

FORMAT	AV	version	K	CAD	ACAD	scale	1X
computer file number	LA/DTL/3002009_02		previous number				
drawn	K.A.C.	checked	KAC	approved			
date	10/21/94	date	10/12/05	signature			
type	DETAIL		sheet		1 of 1		
number	LA3002009DTL						