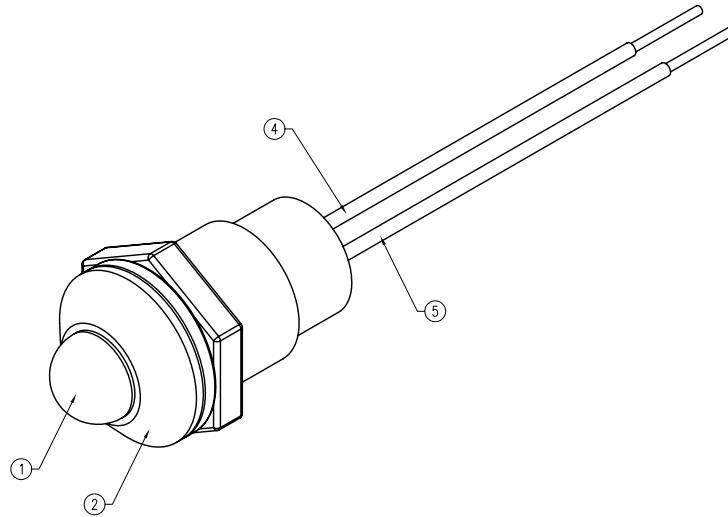
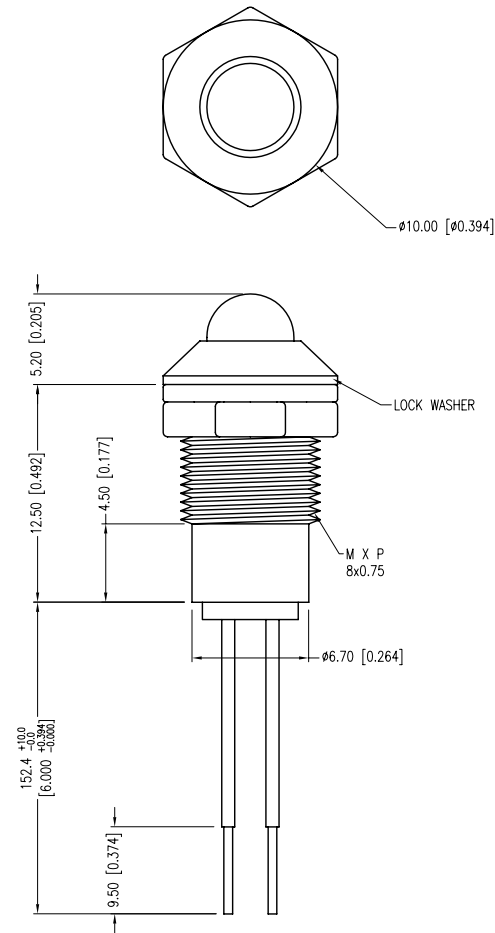
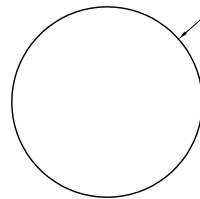


| | | | |
|-------------|-------------------------------------|------|------|
| PART NUMBER | SSI-LXR3816HGWB150 | REV. | A |
| DATE | E.C.N. NUMBER AND REVISION COMMENTS | | REV. |
| 09.13.11 | E.C.N. #10BRDR. & REDRAWN. | | A |



PANEL CUTOUT ø8.20 [ø0.323]



| ELECTRO-OPTICAL CHARACTERISTICS Ta=25°C If=20mA | | | | | |
|---|----------------------|---------|---------|----------|-----------|
| PARAMETER | MIN | TYP | MAX | UNITS | TEST COND |
| PEAK WAVELENGTH (R/G) | | 700/565 | | nm | |
| FORWARD VOLTAGE (R/G) | | 2.0/2.2 | 2.5/2.6 | Vf | |
| REVERSE VOLTAGE | 5.0 | | | Vr | If=100µA |
| AXIAL INTENSITY | | 6/25 | | mcad | If=20mA |
| VIEWING ANGLE | | 60 | | 2x theta | |
| EMITTED COLOR: | RED/GREEN | | | | |
| LENS FINISH: | MILKY WHITE DIFFUSED | | | | |

| LIMITS OF SAFE OPERATION AT 25°C | | |
|----------------------------------|------------|-------|
| PARAMETER | MAX | UNITS |
| PEAK FORWARD CURRENT* | 150 | mA |
| STEADY CURRENT | 25 | mA |
| POWER DISSIPATION (R/G) | 105/120 | mW |
| DERATE FROM 25°C | -1.2 | mW/°C |
| OPERATING TEMP. | -40 TO +85 | °C |
| STORAGE TEMP. | -40 TO +85 | °C |
| SOLDERING TEMP. | +260 | °C |
| 2.0mm FROM BODY | 3 | SEC. |

* t<10µS

NOTES:

1. SSL-LX5093HGWB, RED/GREEN LED. TRIM LEADS TO 4mm.
2. SSI-LXR3816-B, BLACK HOUSING.
3. SSH-LXH4815BSC, BUSHING (NOT SHOWN). INSERT AND CRIMP.
4. RED ANODE LEAD: LXP-WST24RDT0C, 24 AWG., TINNED OVERCOAT, RED INSULATION. CUT 160mm LONG, STRIP BOTH ENDS 3mm & 9.5mm.
5. GREEN ANODE LEAD: LXP-WST24BLT0C, 24 AWG., TINNED OVERCOAT, BLACK INSULATION. CUT 160mm LONG, STRIP BOTH ENDS 3mm & 9.5mm.
6. CRIMP WIRES TO LED LEADS.

*UNLESS OTHERWISE SPECIFIED TOLERANCES PER DECIMAL PRECISION ARE: X=±1 (±0.039), X.X=±0.5 (±0.020), X.XX=±0.25 (±0.010), X.XXX=±0.127 (±0.005). LEAD SIZE=±0.05 (±0.002), LEAD LENGTH=±0.75 (±0.030). MIN.= +DECIMAL PRECISION MAX.= +0.00 -DECIMAL PRECISION



290 E. HELEN ROAD
PALATINE, IL 60067-6976
PHONE: +1.847.359.2790
FAX: +1.847.359.6538
WEB: WWW.LUMEX.COM

T-5mm RED/GREEN LED PANEL INDICATOR, MILKY WHITE DIFFUSED LENS, 6.0" WIRE LEADS, BLACK HOUSING.

THE SPECIFICATIONS MAY CHANGE AT ANY TIME WITHOUT NOTICE DUE TO NEW MATERIALS OR PRODUCT IMPROVEMENT.

CONFIDENTIAL INFORMATION
THE INFORMATION CONTAINED IN THIS DOCUMENT IS THE PROPERTY OF LUMEX INC. EXCEPT AS SPECIFICALLY AUTHORIZED IN WRITING BY LUMEX INC., THE HOLDER OF THIS DOCUMENT SHALL KEEP ALL INFORMATION CONTAINED HEREIN CONFIDENTIAL AND SHALL PROTECT SAME IN WHOLE OR IN PART FROM DISCLOSURE AND DISSEMINATION TO ALL THIRD PARTIES.

| | | | |
|--------|-----------|-----------|----|
| DATE: | 09.13.11 | DRAWN BY: | AB |
| PAGE: | 1 OF 1 | CHKD BY: | JD |
| SCALE: | NTS | APRVD BY: | KF |
| UNIT: | mm [INCH] | | Ⓟ |