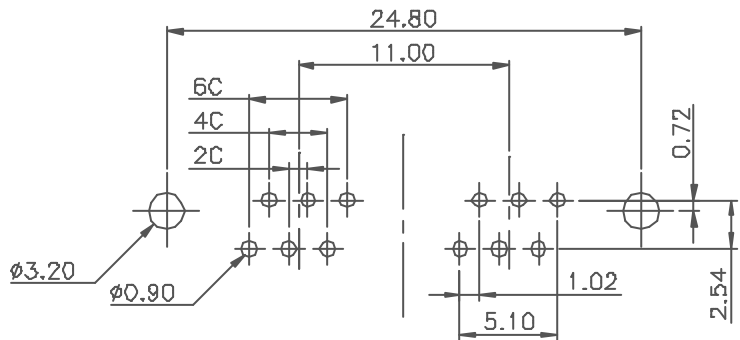
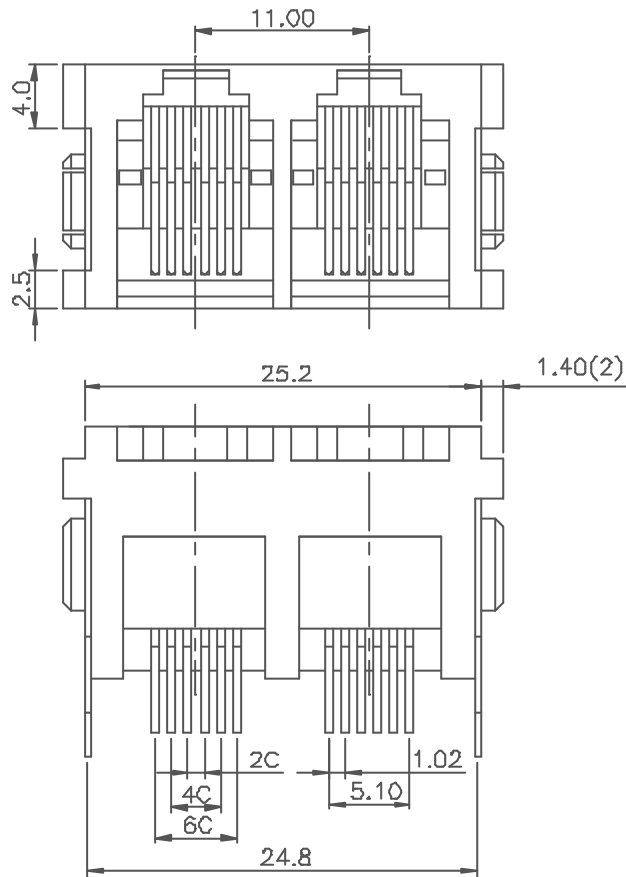
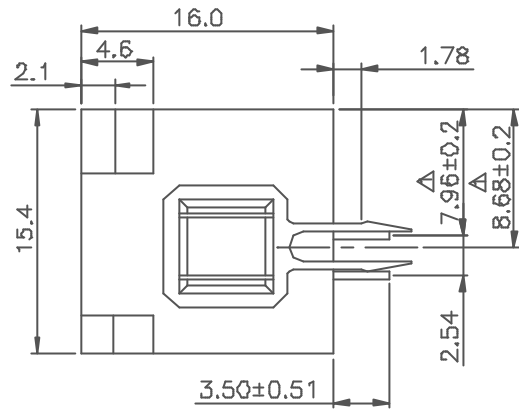


A1RFRD10



T=1.60mm

PC Board Layout Component Side Shown



REVISION RECORD				
REV	ECO	DESCRIPTION	DRFT	CHKD
△		設計變更	SYANG 3/21/98	
△		料號修改	RACHEL 12/28/98	
△		ADD PART NO. OPTION	CHI 1/8/02	

NOTES:

ELECTRICAL:

- VOLTAGE RATING : 125 VAC RMS.
- CURRENT RATING : 1.5 AMP.
- CONTACT RESISTANCE : 30 MILLIOHMS MAX.
- INSULATION RESISTANCE: 500 MEGOHMS MIN @ 500 VDC.
- DIELECTRIC STRENGTH : 1000 VAC RMS 60Hz, 1MIN.

MECHANICAL:

- HOUSING MATERIAL : GLASS FILLED POLYESTER UL94V-0.
- CONTACT MATERIAL : PHOSPHOR BRONZE $\phi 0.46$ mm.
- PLATING : GOLD PLATING OVER NICKEL.
- OPERATING LIFE : 750 CYCLES MIN.
- PCB RETENTION PRE-SOLDER : 1 LB MIN.
- PCB RETENTION POST-SOLDER: 10 LBS MIN.

ENVIRONMENTAL:

- STORAGE: -40°C TO $+85^{\circ}\text{C}$.
- OPERATION: 0°C TO 70°C .

MATES WITH MODULAR PLUG CONFORMING TO
FCC PART 68, SUBPART F.

CUL FILE NO. E163191

△ PART NUMBER: E5H6X-20AX1X

NO. OF CONTACT	1- 3u"	2- 6u"
2-2 CONTACTS	3- 15u"	4- 30u"
4-4 CONTACTS	5- 50u"	6- Pd 20u"
6-6 CONTACTS		

- △ 1-A06-0080 Black
- 2-A06-0600 Gray
- 4-A06-0110 Gray
- 5-A06-1020 White

DIMENSION LISTS	MM (INCH)	DFTO JAMIE	DATE 12/9/97
	TOLERANCES EXCEPT AS NOTED	CHKD	DATE
	.0 ± 0.2	MFG	DATE
	.50 ± 0.15	APPL	DATE
	.000 ± 0.075	MATERIAL :	
ANGLES ± 0.5		QTY :	
		FINISH :	
THIRD ANGLE PROJECTION		SCALE : 3:1	

FULL RISE ELECTRONIC CO., LTD

TITLE
TOP ENTRY METAL FOOT PCB JACK

DRAWING NO. 5-0354-2	SIZE A3	REV 1/8/02
/PART NO. SEE NOTES		3
DID NOT SCALE DRAWING		SHEET 1 OF 1